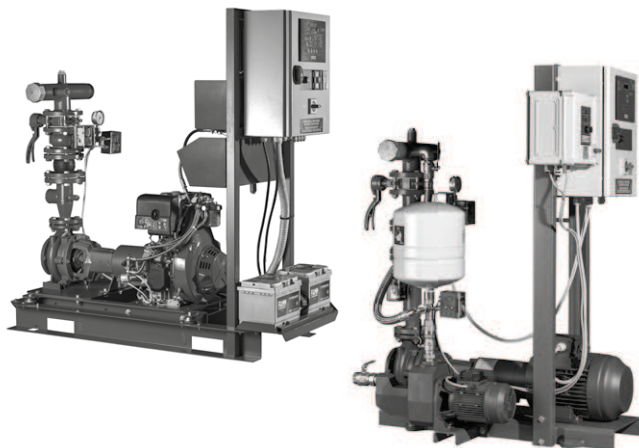


# 1 KDN COMPACT

## UNI EN 12845 FIRE-FIGHTING PUMP SETS



### TECHNICAL DATA

**Operating range:** from 10 to 650 m<sup>2</sup>/h

**Pumped liquid:** clean, free of solids and abrasives, non-viscous, non-aggressive, non-crystallised and chemically neutral, with properties similar to water.

**Pumped liquid temperature range:** from 0 to 70 °C.

**Maximum ambient temperature:** + 40°C

**Maximum operating pressure:** 16 bar (1600kPa) PN16

**Special executions on request:**

Diesel version with water/water heat exchanger.

Electric 230 three-phase 50 or 60 Hz, bronze impeller.

### APPLICATIONS

Fire fighting sets with diesel engine and electric motor, ideal for commercial building automatic sprinklers and/or hydrants. Designed to be used in conjunction with each other, to meet the requirements of all the versions pursuant to UNI EN 12845 and UNI 10779 standards.

### CONSTRUCTION FEATURES OF THE UNI EN 12845 FIRE-FIGHTING PUMP SET

Pre-assembled set on RAL3000 red painted steel base, supporting the pump, the motor, and the electric control panel. The pump is coupled, by means of a spacer elastic coupling, to an electric (**efficiency level IE3**) or Diesel motor capable of providing the power absorbed by the pump at any pump load condition, from no-load, to a load corresponding to **NPSH16m (as requested by section 10.1 of the UNI EN 12845 standard)**.

**The UNI EN 12845 DAB fire-fighting sets are supplied in modular version. This type of solution facilitates the transport, as well as the installation of DAB fire-fighting sets in pump rooms, even in case of narrow entrance doors. Thanks to a coupling kit (supplied as accessory), it is possible to complete all the compositions contemplated by the standard (one, two, three pumps, electric or Diesel, with or without compensation pump).**

Each module has a serial number with its own declaration of conformity, and its own installation and maintenance manual.

### Specific characteristics of the Diesel engine-driven pump

Diesel engine-driven pump sets have a vibration dampening system that reduces the amount of the vibrations produced by the Diesel engine reaching the system. This consists of rubber anti-vibration feet and couplings. Each Diesel engine-driven pump includes two start-up batteries and a Diesel tank providing 6 hours of continuous operation. Motor pumps with diesel engine cooled by a 37 kW water/water heat exchanger available on request. The Diesel engine has an air/air cooling system for low powers (up to 26 kW), and air/water cooling system for higher powers (37 kW and over). The Diesel engine can operate continuously at full load in accordance with ISO 3046 standards, curve NA (section 10.9.1 of UNI EN 12845).

### CONSTRUCTION FEATURES OF THE PUMP

KDN range pump with cast iron single stage spiral body in accordance with DIN-EN 733 (formerly DIN 24255); cast iron seal cover and support. Flanges in accordance to DIN 2533 (DIN 2532 for DN 200). Cast iron impeller, closed and dynamically balanced, with compensation of the axial thrust through balancing holes, operation on interchangeable wear rings (on request). Stainless steel pump shaft supported by two permanently lubricated oversized ball bearings, housed inside an appropriate chamber in the support.

Standard seal device: standardised mechanical seal according to DIN 24960 in carbon/silicon carbide with EPDM OR rings.

### COMPENSATION PUMP

All the DAB fire-fighting pump sets are available with or without compensation pump. The compensation pump (JET, KV, or KVC models) intervenes automatically in case of small pressure drops in the fire-fighting system, reinstating the pressure to the required level, and therefore avoiding pointless starts of the main pumps. Installed on the main pump base side, it is connected to the delivery manifold of the main pump, and includes: ball valves on the suction and delivery, check valve on the delivery, pressure switch, 18 litre expansion vessel, protection and control panel.

### HYDRAULIC STRUCTURE

The suction of the KDN pump is supplied with flange for the connection to the suction kit (supplied as accessory). The suction kit consists of an eccentric diverter adaptor with opening angle of less than 20 °. The kit can keep the water speed lower than 1,5 m/s, as required by section 10.6.2.3 of the UNI EN 12845 standard. On the delivery side are a concentric diverter adaptor ready for the connection of a 2" union for the connection of the priming tank (positive suction installation), vibration coupling (in the Diesel version), inspectable clapet non-return valve and circuit with no. 2 start-up pressure switches with test valve for the same, shut-off valve (with manual reducer from DN125) and RAL3000 red painted steel delivery manifold ready for the connection of the compensation pump and expansion vessel\* (**expansion vessels are guaranteed for 5 years**).

(\*Supplied as standard only in the versions with compensation pump).

### ELECTRIC CONTROL BOX

Fire-fighting pump sets include an electric control panel for each pump, connected to the main components (motor, pressure switches, sensors, batteries, etc.).

# ELECTRIC PUMP CONTROL PANEL

UNI EN 12845 FIRE-FIGHTING PUMP SETS



## TECHNICAL DATA

**Nominal power input voltage:** 400 V +/- 5%

**Phases:** 3

**Frequency:** 50-60 Hz

**Number of pumps that can be connected:** 1

**Maximum nominal power of use:**  
from 3 to 110 kW (depending on model).

**Maximum nominal current of use:** from 10 Amp to 250 Amp.

**Ambient temperature operation limits:** from +4 °C to +40 °C.

**Relative humidity (without condensation):**

50% at 40 °C MAX (90% a 20 °C)

**Max. altitude:** 3000 m (a.s.l.).

**Protection class:** IP55

**Control panel construction:**

According to EN60204, EN 60439-1, and UNI EN 12845/10779.

## COMPONENTS

The control and protection panel includes the following components

### INTERIOR OF CABINET

Connector for the powering of a GSM Modem (230 V, protected by fuse).

Motor protection fuses (aM type); current surge relay-motor protectors are not permitted by the standard.

Auxiliary circuit protection fuses (Gg type).

Direct pump starters (up to 15 kW).

Star/triangle starters (18,5 kW and over).

24 V auxiliary circuit transformers.

Alarm relay with terminal box for remote status control (as required by the UNI EN 12845 standard).

System start-up input connection terminal box.

### ON FRONT PANEL

Electric pump control unit with:

Multifunction instrument with display (voltmeter, ammeter, cosfi metre, wattmeter, alarms and status).

Start and stop pushbuttons.

Status and alarm notification lamps.

Alarm/notification lamp test pushbutton.

0 - 1 selector (0 = automatic disabled; 1 = automatic on), key removable only for position one (AUTOMATIC ON).

### REMOTELY CONTROLLED ALARMS:

Voltage present.

Phase sequence.

Pump start request from the pressure switches.

Pump start request from priming tank.

Pump in operation.

Start failed.

The above alarms can be remotely controlled in the following ways:

With relay wiring to the alarm monitoring control panel.

With RS-485 wiring to the alarm monitoring control panel.

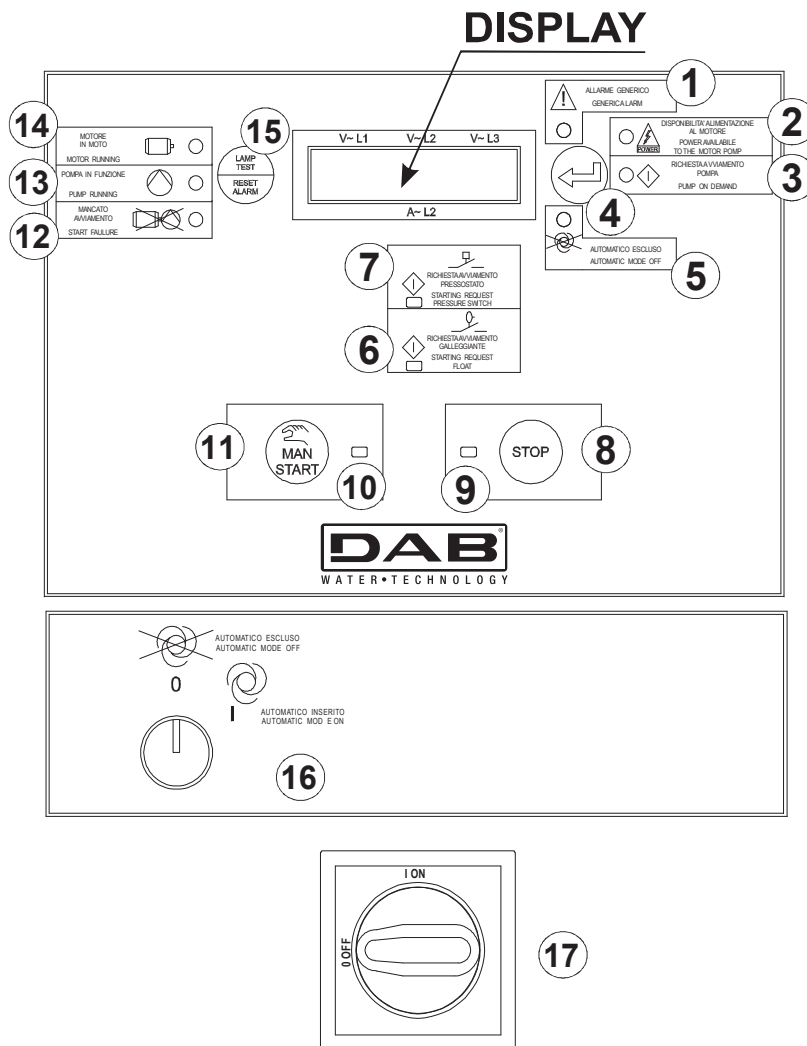
With GSM Modem inside the cabinet alarm monitoring, for forwarding status and/or alarm signals (optional).

# ELECTRIC PUMP CONTROL PANEL

UNI EN 12845 FIRE-FIGHTING PUMP SETS

## ELECTRIC PUMP CONTROL UNIT

The A1 electronic control unit supplied with the control panel offers the following features: automatic start from the pressure switches or the priming float switch, manual start, automatic monitoring of pump set faults and incorrect or unavailable power input voltage.



ALIMENTAZIONE DELLA POMPA SPRINKLER  
NON SPEGNERE IN CASO DI INCENDIO

! SPRINKLER PUMP MOTOR SUPPLY !  
NOT TO BE SWITCHED OF IN THE EVENT OF FIRE

REF.	FUNCTION
1	LAMP - Generic alarm
2	LAMP - Power input to the motor detected
3	LAMP - Pump START request
4	Press to display the instruments
5	LAMP - Automatic start disabled
6	LAMP - START request from the priming tank float switch
7	LAMP - START request (call) from the pressure switches
8	MANUAL STOP pushbutton
9	LAMP - MANUAL STOP with STOP pushbutton notification

REF.	FUNCTION
10	LAMP - MANUAL START with MAN START pushbutton notification
11	MANUAL START pushbutton
12	LAMP - Start failed
13	LAMP - ELECTRIC PUMP RUNNING with motor running; detected by the electric pump running pressure switch
14	LAMP - MOTOR RUNNING; controlled by the ammeter detection
15	Reset lamp test pushbutton
16	Automatic mode disabling selector
17	Power input disconnection switch

# DIESEL PUMP CONTROL PANEL

UNI EN 12845 FIRE-FIGHTING PUMP SETS



## TECHNICAL DATA

**Nominal power input voltage:** 230V +/- 5%

**Phases:** 1+N

**Frequency:** 50-60 Hz

**Number of pumps that can be connected:** 1

**Maximum nominal power of use:**

from 7,5 to 197 kW (Diesel motor power)

**Nominal power absorbed by the users:**

approximately 790 W (3 Amp) at full load, 16 Amp power input line

**Ambient temperature operation limits:** from +4 °C to +40 °C

**Relative humidity (without condensation):**

50% at 40 °C MAX (90% a 20 °C)

**Max. altitude:** 3000 m (a.s.l.).

**Protection class:** IP55

**Control panel construction:**

According to EN60204, EN 60439-1, and UNI EN 12845/10779.

## DIESEL PUMP CONTROL PANEL

### COMPONENTS

The control and protection panel includes the following components

#### INTERIOR OF CABINET

Connector for the powering of a GSM Modem (12V, protected by fuse).

Auxiliary circuit protection fuses (Gg type).

2 x 12 V Diesel engine start relays (for 12 V starter motors with powers up to 145 kW).

2 x 24 V Diesel engine start relays (for 24 V starter motors with powers over 145 kW).

2 automatic battery chargers.

Alarm relay with terminal box for remote status control (as required by the UNI EN 12845 standard).

System start-up input connection terminal box.

#### ON FRONT PANEL

Diesel pump control unit with:

Multifunction instrument with display (voltmeter, ammeter, revolution counter, hours of operation counter, Diesel percentage level, oil pressure).

Start and Stop pushbuttons (one for each battery).

Status and alarm notification lamps.

Lamp test pushbutton.

First start-up TEST pushbutton (\*).

Breakable glass protected rocker switch for pump start, bypassing the control unit in case of fault.

0 - 1 selector (0 = automatic disabled; 1 = automatic on), key removable only for position one (AUTOMATIC ON).

#### REMOTELY CONTROLLED ALARMS

Voltage present.

Phase sequence.

Pump start request from the pressure switches.

Pump start request from priming tank.

Pump in operation.

Start failed.

The above alarms can be remotely controlled in the following ways:

With relay wiring to the alarm monitoring control panel (optional).

With RS-485 wiring to the alarm monitoring control panel (optional).

With GSM Modem inside the cabinet, for forwarding status and/or alarm signals (optional).

The control panel receives the signal from the pressure switches and starts the engine-driven pump also when no power network voltage is detected. The pump running status is detected through the speed/revolution sensor signal (as required by section 10.9.8 of UNI EN 12845). The panel is equipped with a start-up system with two 12V batteries (as required by section 10.9.8. of UNI EN 12845). If one of the batteries is faulty, the panel automatically starts the pump up using the other battery (6 alternated starts).

(\*). When the engine-driven pump is put into operation on site for the first time, it will be necessary to check the start failure alarm (in accordance with section 10.9.12.2 of UNI EN 12845). For this purpose, on the front of the control panel is a TEST pushbutton that simulates no. 6 alternate start attempts on the two batteries, if there is no fuel. At the end of the TEST, the start failure alarm activates (lamp + N.O. contact)

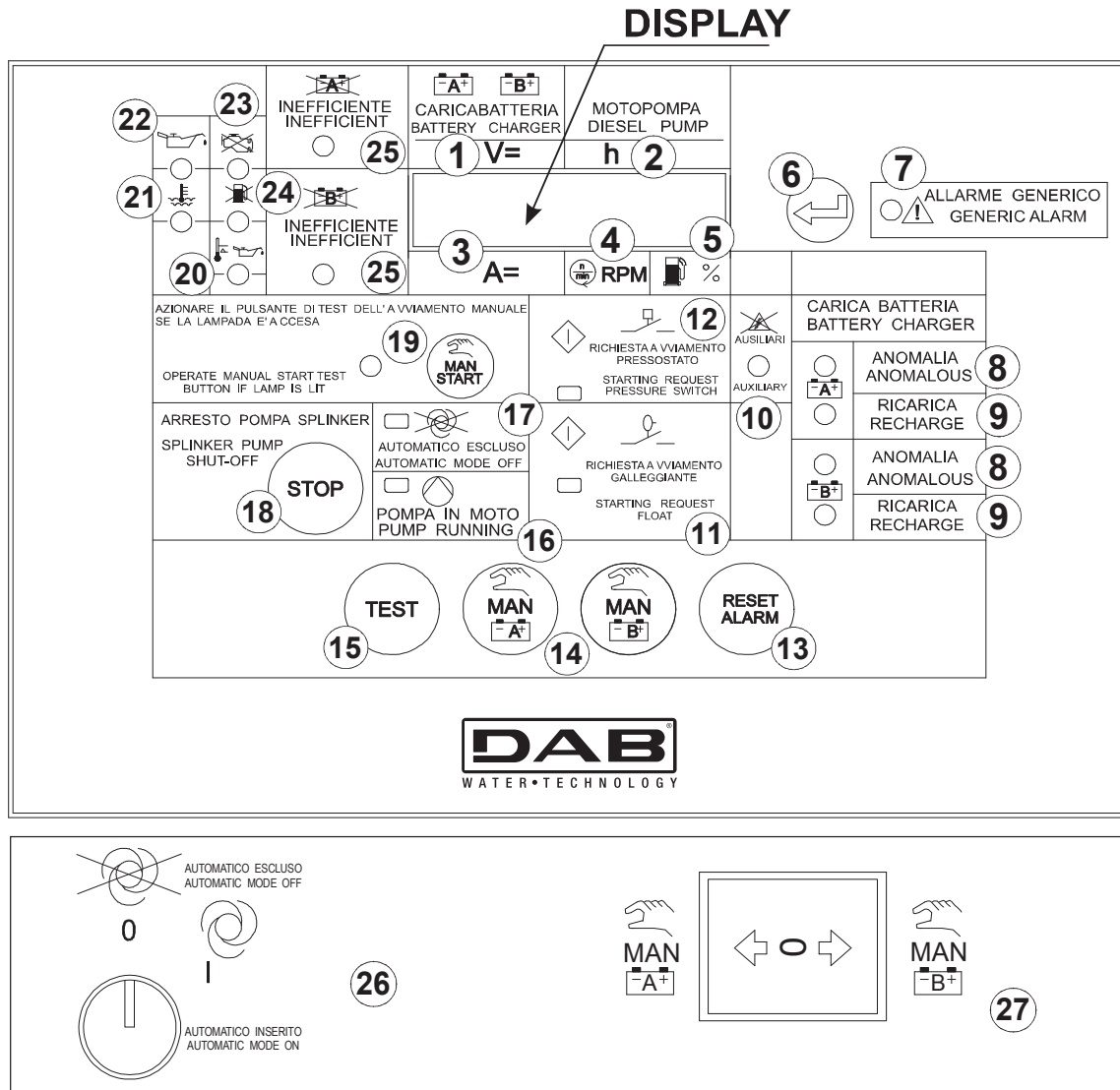
# DIESEL PUMP CONTROL PANEL

UNI EN 12845 FIRE-FIGHTING PUMP SETS

FIRE-FIGHTING PUMP SETS

## DIESEL ENGINE-DRIVEN PUMP CONTROL UNIT

The A1 electronic pump control unit supplied with the control panel offers the following features: automatic start with 6 alternate pulses on the 2 batteries, with starter gear engaged check, manual start, battery efficiency check, particularly during start-up, automatic monitoring of pump set faults and display of battery charge signals.



REF.	FUNCTION
1	A and B battery charger voltmeters
2	Hour meter
3	A and B battery charger ammeters
4	Hour meter
5	Fuel level gauge
6	- Press briefly to show instruments - Press and hold down for LED test
7	Generic alarm
8	Fault detected by the battery charger during battery charging
9	Battery charger ON
10	No power input to the battery charger detected alarm
11	Start request from the pump priming tank flow switch
12	START request (call) from the pressure switches
13	Fault reset

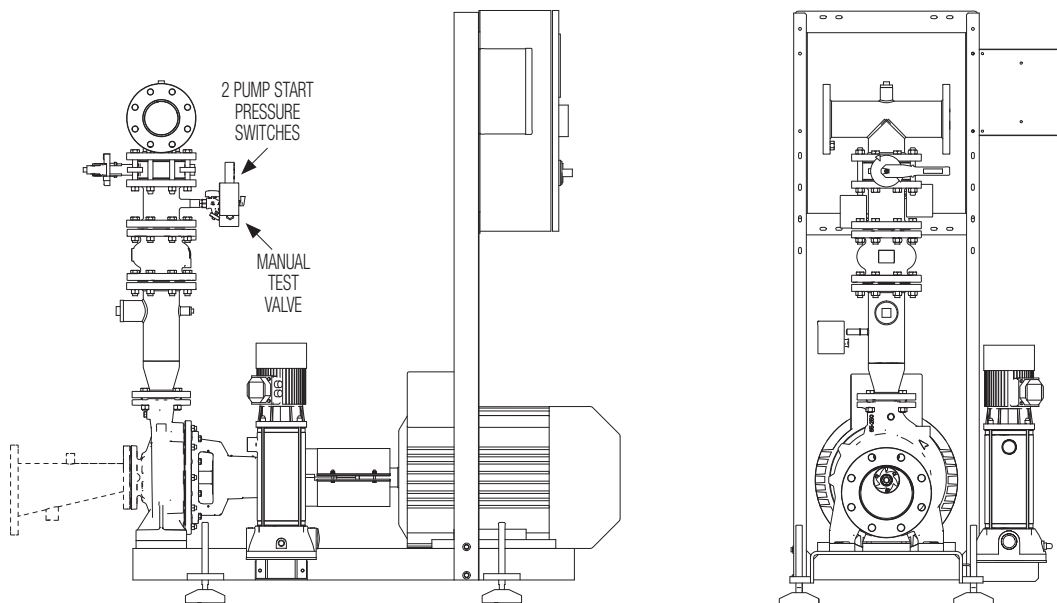
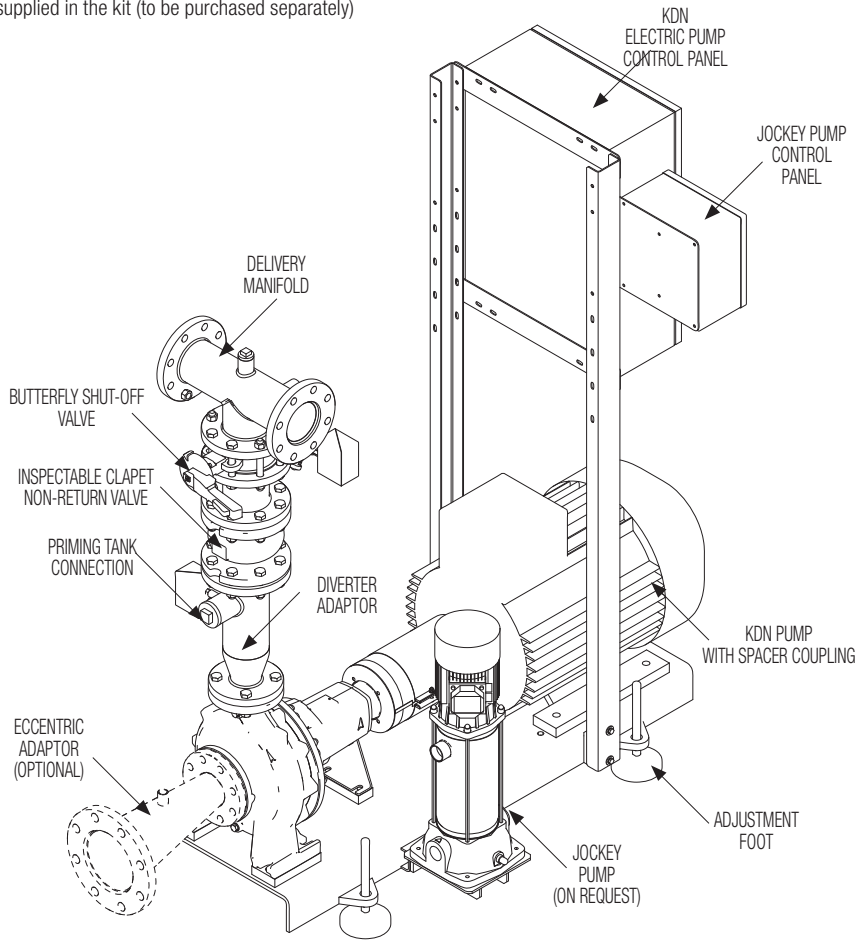
REF.	FUNCTION
14	Manual engine-driven pump start using batteries A and B (always active)
15	Start-up test
16	Engine-driven pump running
17	Automatic mode disabled
18	Engine-driven pump set stop pushbutton
19	Manual start test pushbutton and lamp
20	Oil or water heater not heating
21	Overtemperature alarm
22	Insufficient oil pressure alarm
23	Start failed alarm
24	Low fuel alarm
25	Faulty A and B battery alarm
26	Automatic mode disabling selector
27	Breakable glass protected pushbutton for emergency start of battery A or B

# 1 KDN COMPACT

UNI EN 12845 FIRE-FIGHTING PUMP SETS

## UNI EN 12845 SET COMPONENTS - ELECTRIC PUMP + JOCKEY PUMP

----- element not supplied in the kit (to be purchased separately)

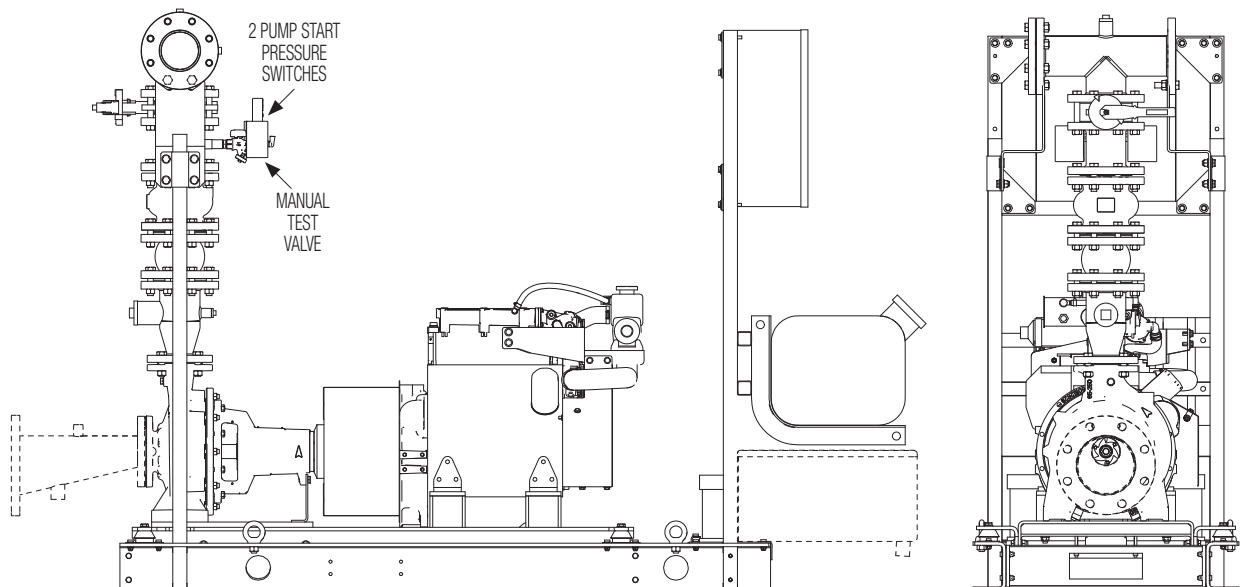
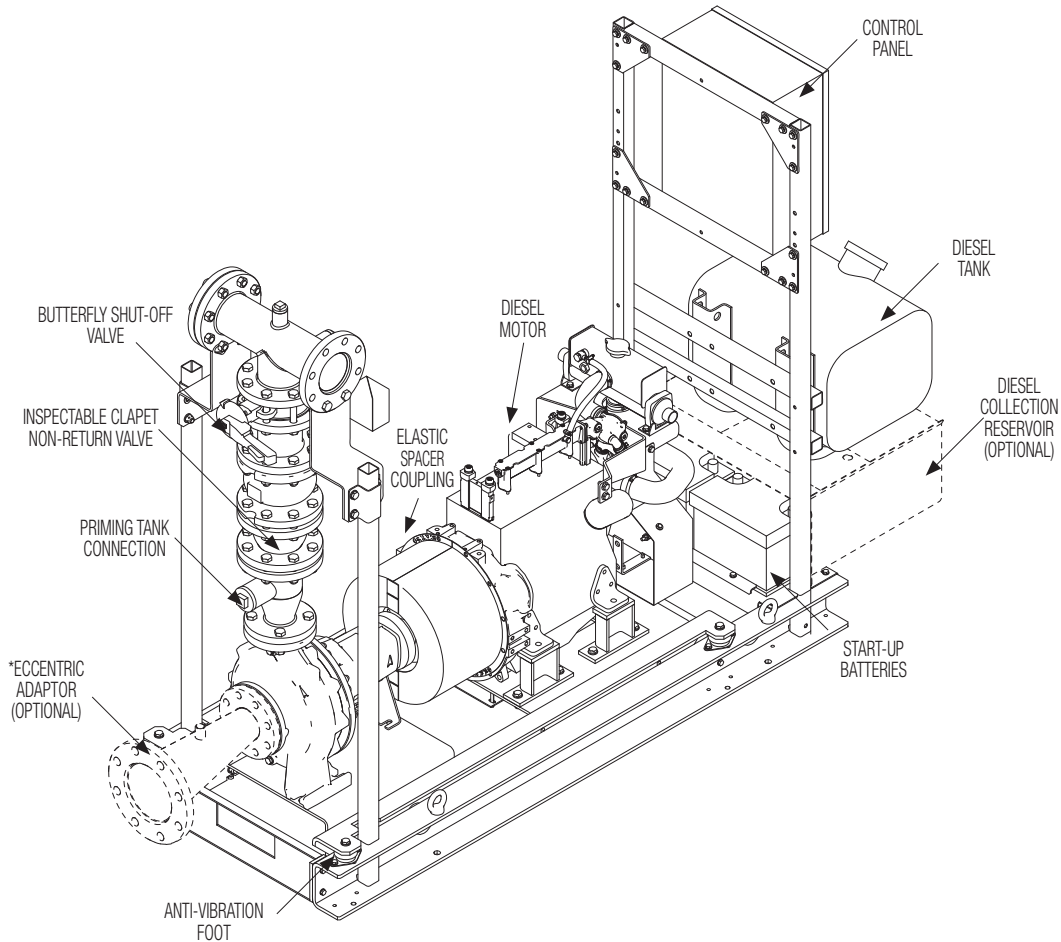


# 1 KDN COMPACT

UNI EN 12845 FIRE-FIGHTING PUMP SETS

## UNI EN 12845 SET COMPONENTS - ENGINE-DRIVEN PUMP SET

----- element not supplied in the kit (to be purchased separately)

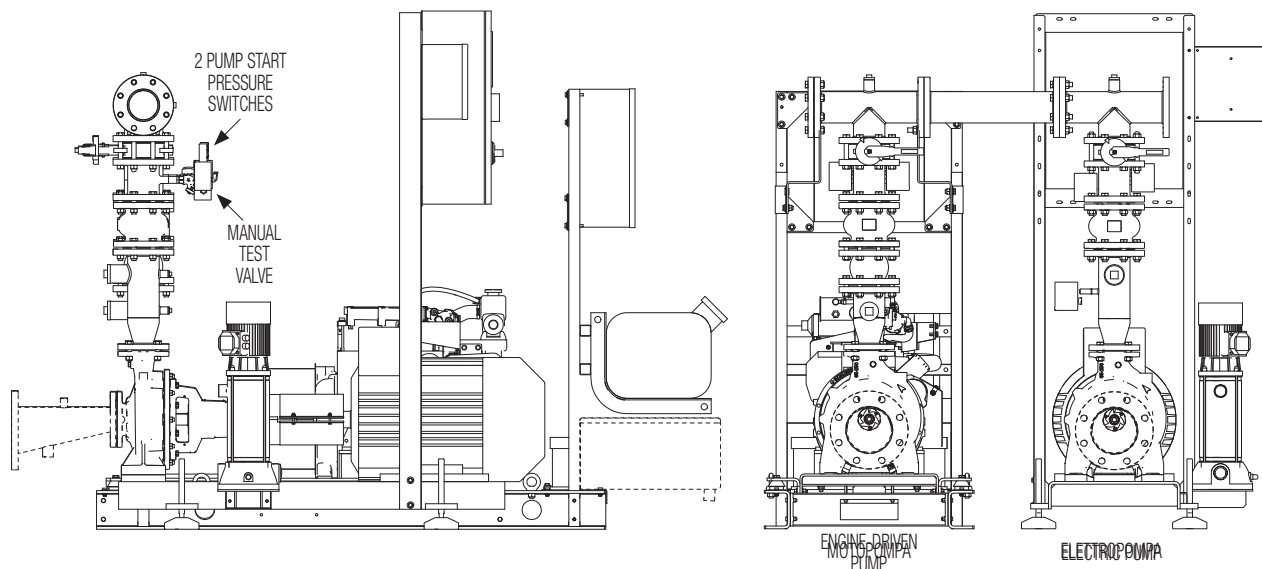
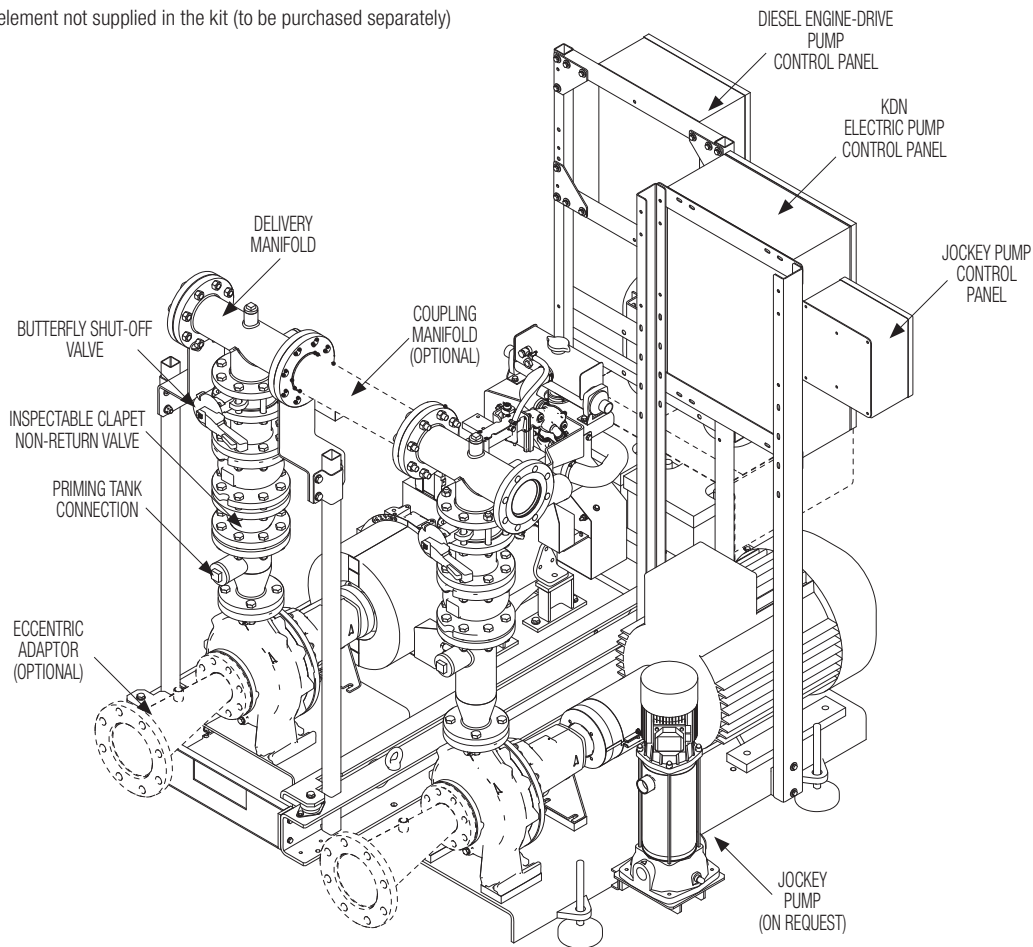


# 1 KDN COMPACT

UNI EN 12845 FIRE-FIGHTING PUMP SETS

## UNI EN 12845 SET COMPONENTS - ELECTRIC PUMP SET + ENGINE-DRIVEN PUMP SET

----- element not supplied in the kit (to be purchased separately)

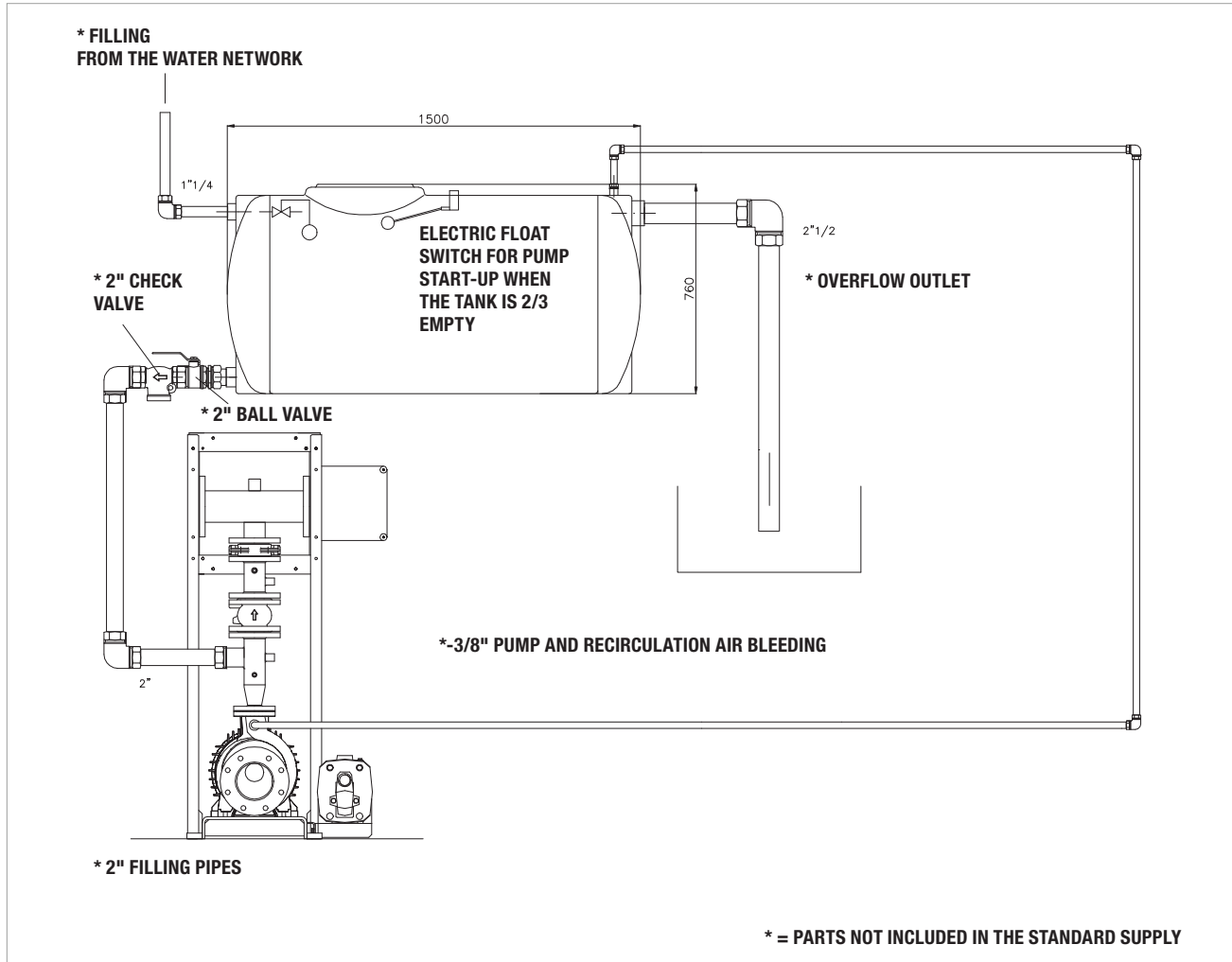




## ACCESSORIES

### PRIMING TANK FOR POSITIVE SUCTION INSTALLATION

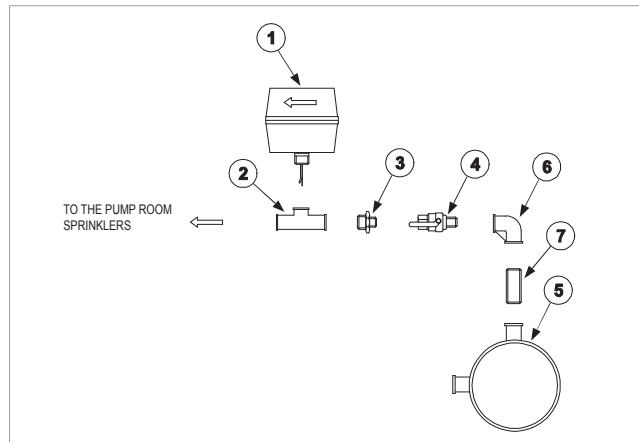
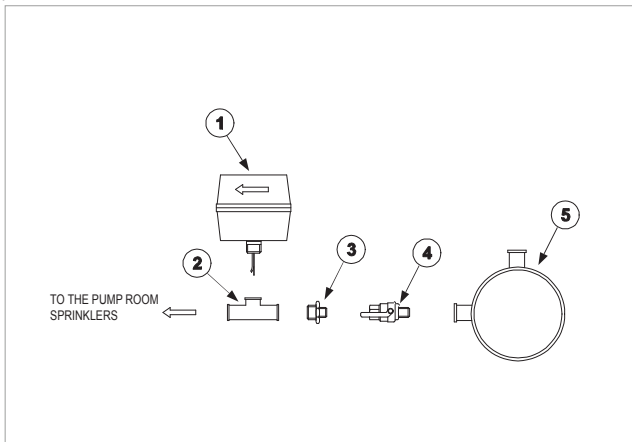
One 500 l priming tank must be installed for each main pump.



### FLOW SWITCH KIT

The flow switch detects the activation of the sprinklers of the pump house (UNI EN 12845 10.3.2).

The flow switch kit must be installed on the 1" pipe of the delivery manifold of the DAB fire-fighting pump, and then connected to the CSR-1 alarm control panel.



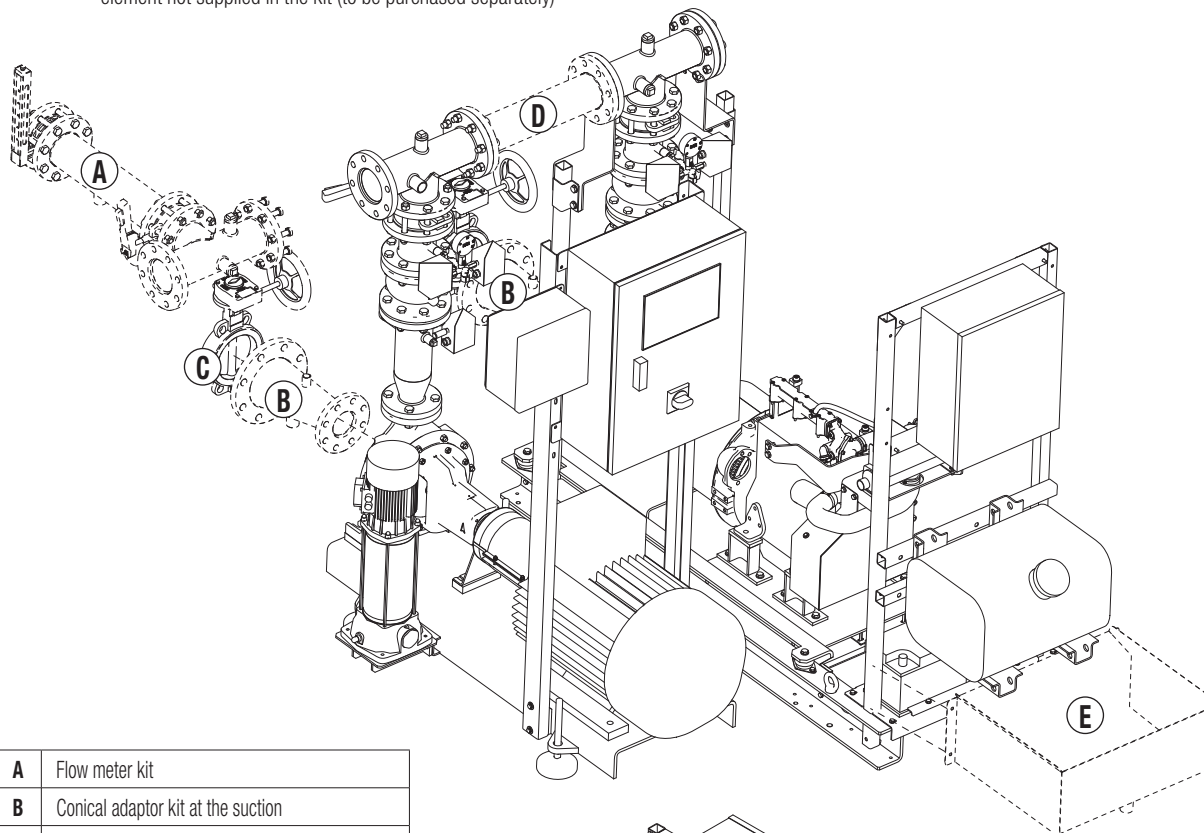
- The flow switch kit must be installed on the 1" pipe of the delivery manifold of the DAB fire-fighting pump. Seal the threads of the various components with Teflon, plumber's hemp, or anaerobic sealing paste.
- The flow switch detects activation of the sprinklers of the pump house as per section 10.3.2 of UNI EN 12845.
- The Normally Open contact of the 1" flow switch must be connected to an alarm device installed in a manned location (e.g. DAB alarm control panel – CSR-1 model, UNI EN 12845).

# 1 KDN COMPACT

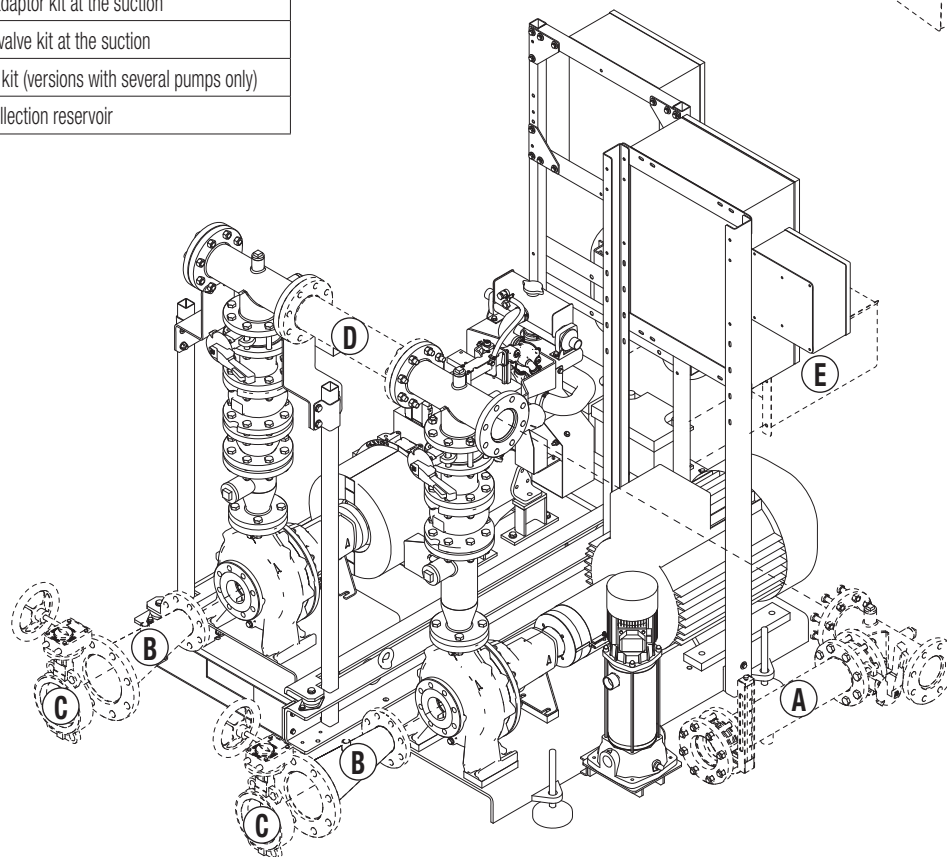
UNI EN 12845 FIRE-FIGHTING PUMP SETS

## EXAMPLE OF ASSEMBLY OF UNI EN 12845 SETS - ELECTRIC PUMP + DIESEL ENGINE-DRIVEN PUMP SET

----- element not supplied in the kit (to be purchased separately)



A	Flow meter kit
B	Conical adaptor kit at the suction
C	Shut-off valve kit at the suction
D	Coupling kit (versions with several pumps only)
E	Diesel collection reservoir



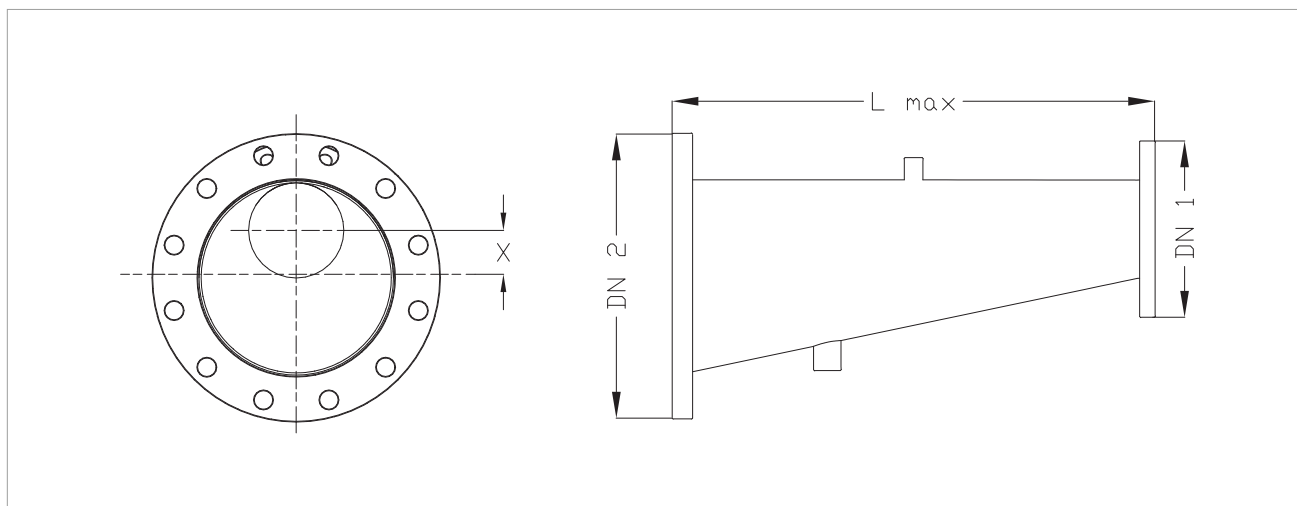
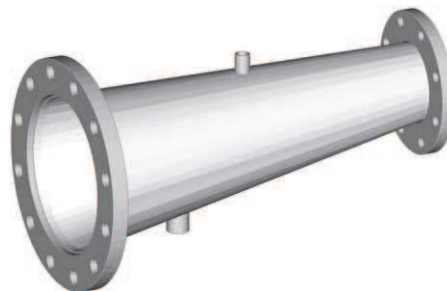
# 1 KDN COMPACT

## UNI EN 12845 FIRE-FIGHTING PUMP SETS

### ACCESSORIES

#### SUCTION KIT

The kit consists of a conical eccentric adaptor, screws and washers. It is required in order to avoid air pockets at the suction, and to keep the water speed below 1,5 m/s, as required by section 10.6.2.3 of UNI EN 12845. No. 1 kit must be installed at the suction of each main pump.



UNI EN 12845 ECCENTRIC SUCTION ADAPTORS

PUMP MODEL	ADAPTOR MODEL	DN1 –PN 16 PUMP SIDE	DN2 – PN16 SYSTEM SIDE	L (mm)	X (mm)
NKV 10	KIT ASP.NKV10 EN12845 (DN65 - 19°)	DN 40	DN 65*	145	14
NKV 15 – NKV 20 KDN 32	KIT ASP.KDN32/NKV15-20 EN12845(DN80-19°)	DN 50	DN 80	200	14
KDN 40	KIT ASP.KDN40 EN12845 (DN100 - 19°)	DN 65	DN 100	204	19
KDN 50	KIT ASP.KDN50 EN12845 (DN125 - 19°)	DN 65	DN 125	320	32
KDN 65	KIT ASP.KDN65 EN12845 (DN150 - 19°)	DN 80	DN 150	380	40
KDN 80	KIT ASP.KDN80 EN12845 (DN200 - 19°)	DN 100	DN 200	570	52
KDN 100	KIT ASP.KDN100 EN12845 (DN250 - 19°)	DN 125	DN 250	685	67

\*The standard requires DN 80 minimum for positive suction installations. In this case contact our sales network.

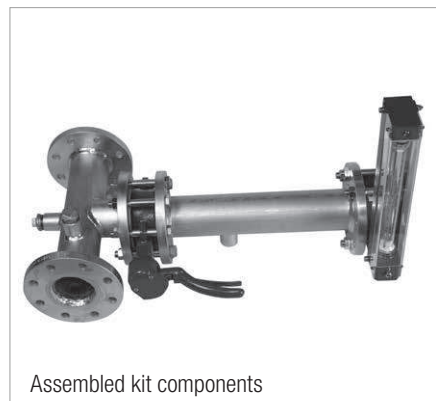
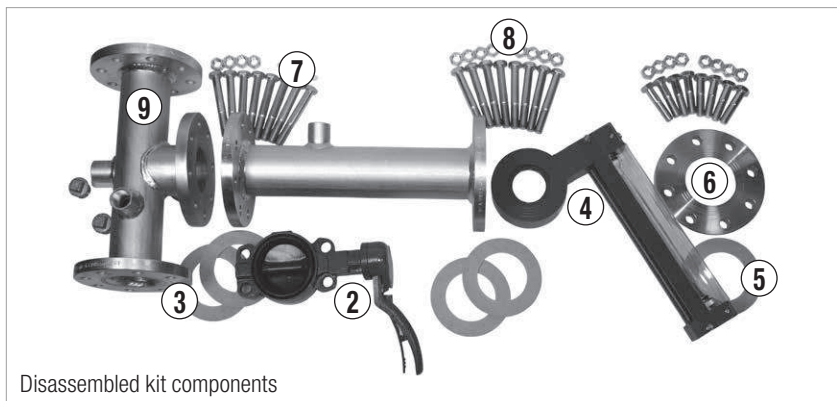
# 1 KDN COMPACT

## UNI EN 12845 FIRE-FIGHTING PUMP SETS

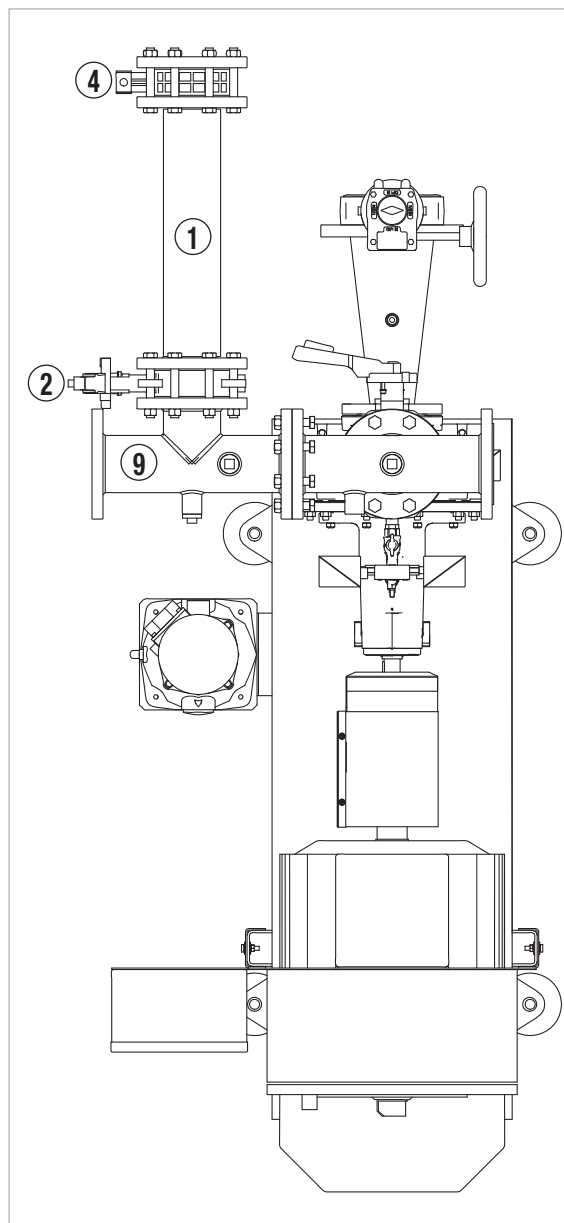
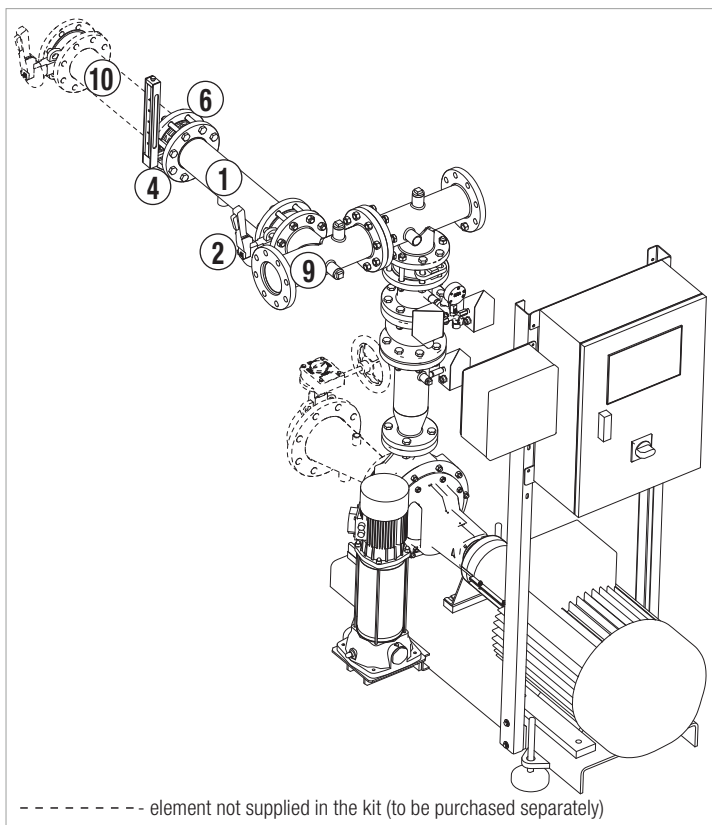
### ACCESSORIES

#### FLOW METER

To be installed on a branch on the delivery manifold. The kits are suitable for both 1-pump and 2-pump sets, and are supplied unassembled.



#### ASSEMBLY INDICATIONS FOR UNI EN 12845 1 AND 2 PUMP SETS (EXAMPLE)



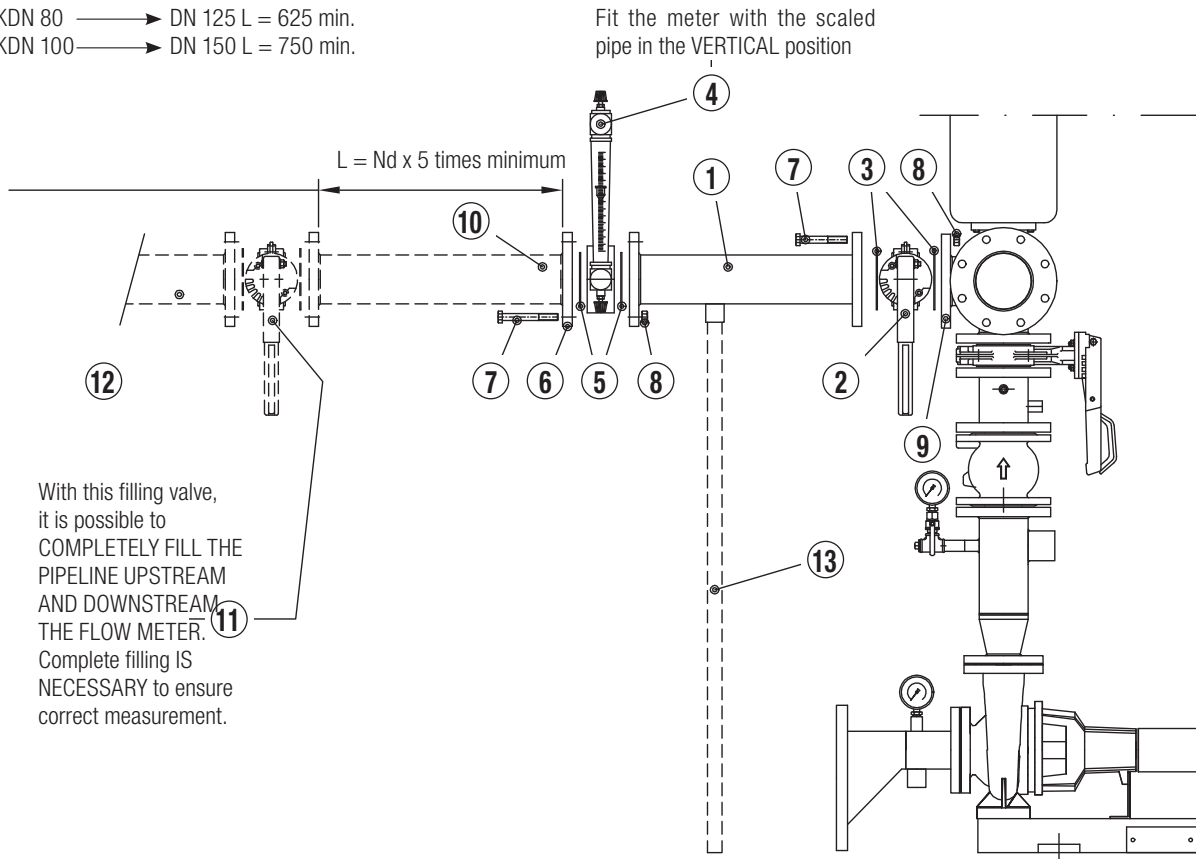
1	Flow meter extension
2	Butterfly valve
3	Butterfly valve seal
4	Flow meter - flow rate meter
5	Flow meter seals
6	Counter flanges
7	Fixing screws
8	Nuts
9	Meter adaptor

# 1 KDN COMPACT

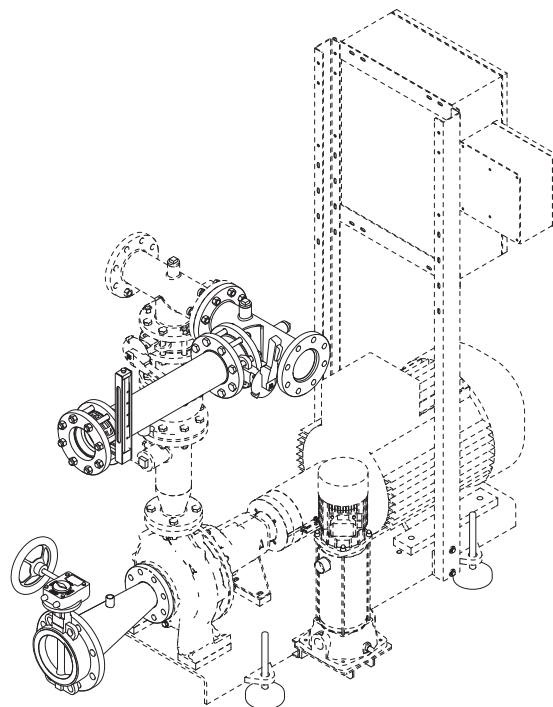
## UNI EN 12845 FIRE-FIGHTING PUMP SETS

- 1 KDN 32 → DN 50 L = 250 min.
- 1 KDN 40 → DN 65 L = 325 min.
- 1 KDN 50 → DN 80 L = 400 min.
- 1 KDN 65 → DN 100 L = 500 min.
- 1 KDN 80 → DN 125 L = 625 min.
- 1 KDN 100 → DN 150 L = 750 min.

-----element not supplied in the kit (to be purchased separately)



----- : fire-fighting set



# E.FIRE MONITOR

## DIESEL AND ELECTRIC EN 12845 FIRE-FIGHTING PUMP SETS WITH VERTICAL TURBINE PUMPS



### TECHNICAL DATA

**Nominal power input voltage:** 230/400 Vac +/-10% (power input voltage 230 Vac)

**Phases:** 1+N (230 V) 1+1 (400 V)

**Frequency:** 50-60 Hz

**Sound power level:** 75 dB at 30 cm 12 Vdc

**Absorption:** 0,1 Amp

**Battery type:** 12 V 1.2 Ah lead battery, sealed, Faston contact

**Acoustic alarm autonomy in case of power cut:** 5 hours

**Characteristic features of the serial communication cable:**

2 twisted wire shielded cable plus shield, 600 V, class 1, 15-18 AWG.

Maximum impedance 120 ohm, maximum capacity 50 pF/m.

**Ambient temperature operation limits:** -10 °C + 50 °C

**Relative humidity:** 50 % at 40 °C MAX (90 % at 20 °C) without condensation

**Max. altitude:** 2000m (asl)

**Protection class:** IP54

**Construction:** Max RS485 line length 500 m

### ACCESSORY - E.FIRE MONITOR CONTROL PANEL

The UNI EN 12845 standard requires that a range of alarms are forwarded to a permanently manned location, inside or outside the building, or to a plant manager.

In order to fulfil this requirement of the UNI EN 12845 standard, it is possible to use the E.FIRE MONITOR alarm control unit, which notifies the operating conditions of the fire-fighting pump station by means of an acoustic signal.

The E.FIRE MONITOR alarm control unit can be connected to the fire-fighting pump station using a telephone pair (485 serial type connection), to the electric or diesel engine-driven pump control panels.

One single E.Fire Monitor can control up to three pump sets, electric or Diesel, in the various required configurations.

### FUNCTIONS

The control unit visually and acoustically notifies, by LED and buzzer respectively, the operating conditions of the pump sets in the different installation solutions:

- all the possible combinations with up to three pumping units maximum

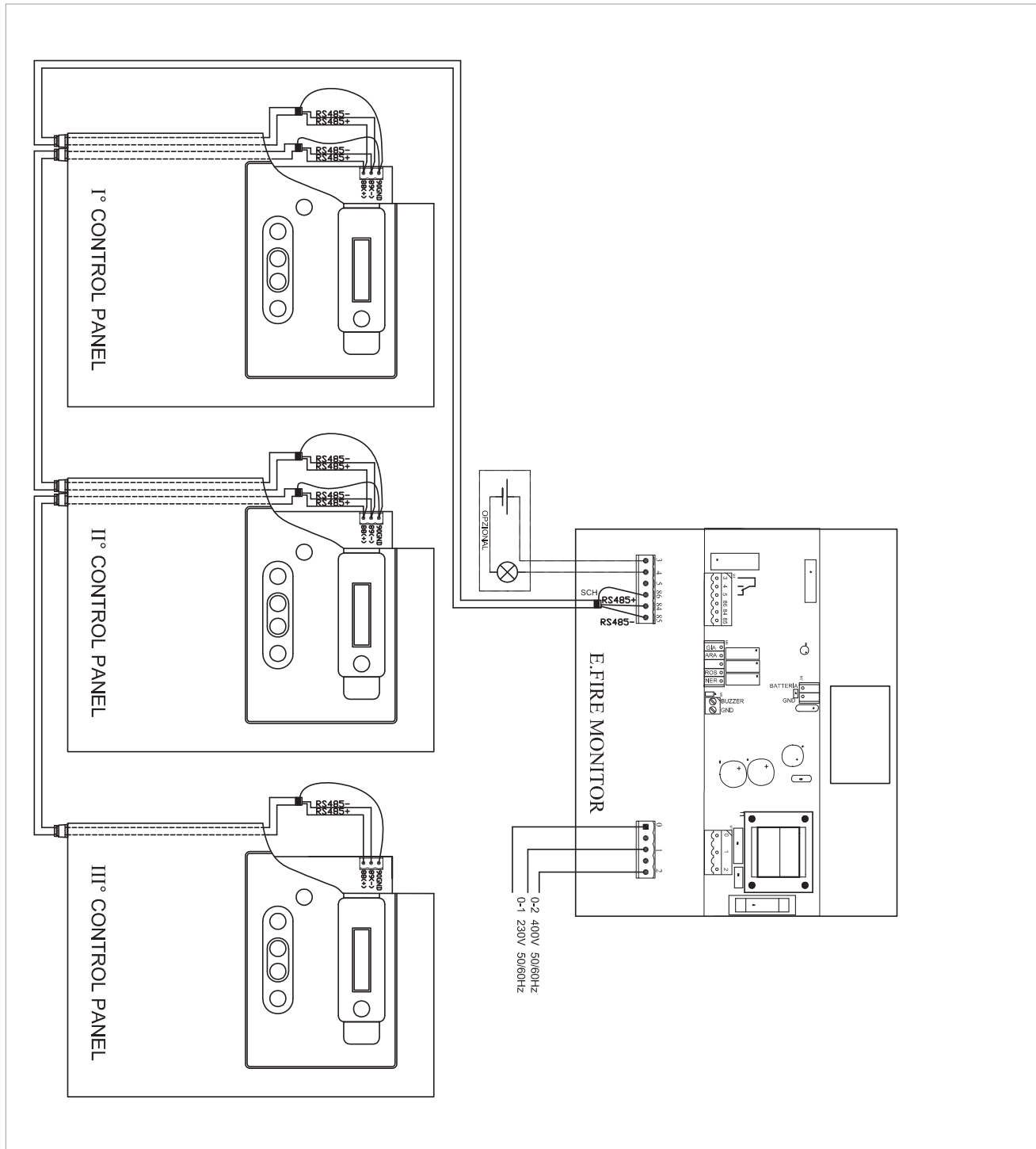
E.Fire Monitor is a necessary accessory for the supervision of remote alarms, and guarantees autonomy of at least 5 hours, as far as the operation of the alarms, in case of electric power cuts. It is also possible to connect a GSM Modem (optional), in order to display alarms on a mobile phone, receiving system status SMS messages.

Alarms may be replicated at two different positions by connecting two E.Fire Monitors.

# E.FIRE MONITOR

DIESEL AND ELECTRIC EN 12845 FIRE-FIGHTING PUMP SETS WITH VERTICAL TURBINE PUMPS

## DIAGRAM FOR THE CONNECTION OF E.FIRE MONITOR TO THE CONTROL PANELS ELECTRIC OR ENGINE-DRIVEN PUMP WITH SERIAL CONNECTION



# 1 KDN COMPACT

## UNI EN 12845 FIRE-FIGHTING PUMP SETS



### TECHNICAL DATA

**Nominal power input voltage:** 230 AC +/- 10%

**Phases:** 1

**Frequency:** 50-60 Hz

**Sound power level:** 75 dB A

**Absorption:** 0,1 Amp

**Battery type:** 12 V; 2,3 Ah lead battery (Faston output)

**Acoustic alarm autonomy in case of power cut:** 20 hours

**Characteristic features of the serial communication cable:**

2 twisted wire shielded cable plus shield, 600 V, class 1, 15-18 AWG. Maximum impedance 120 ohm, maximum capacity 50 pF/m.

**Ambient temperature operation limits:** -10 °C + 40 °C

**Relative humidity:** 50 % at 40 °C MAX (90 % at 20 °C) without condensation

**Max. altitude:** 2500 m (a.s.l.).

**Protection class:** IP55

**Construction:** According to UNI EN 12845

### ACCESSORY - CSR-1 ALARM CONTROL PANEL

The UNI EN 12845 standard requires that a range of alarms are forwarded to a permanently manned location, inside or outside the building, or to a plant manager.

In order to fulfil this requirement of the UNI EN 12845 standard, it is possible to use the CSR-1 alarm control panel, which notifies the operating conditions of the fire-fighting pump stations by means of an acoustic signal.

The CSR-1 alarm control unit can be connected to the fire-fighting pump station using multi-conductor cables (contact connection), or using a telephone pair (485 serial type connection), to the electric or Diesel engine-driven pump control panels.

One single CSR-1 can control one or both pumps, electric or Diesel, in the various required configurations.

### FUNCTIONS

The control unit controls and notifies, using a 2x16 character display - visually by means of LEDs, and acoustically by means of a buzzer -, the operating conditions of the pump sets in the different installation solutions:

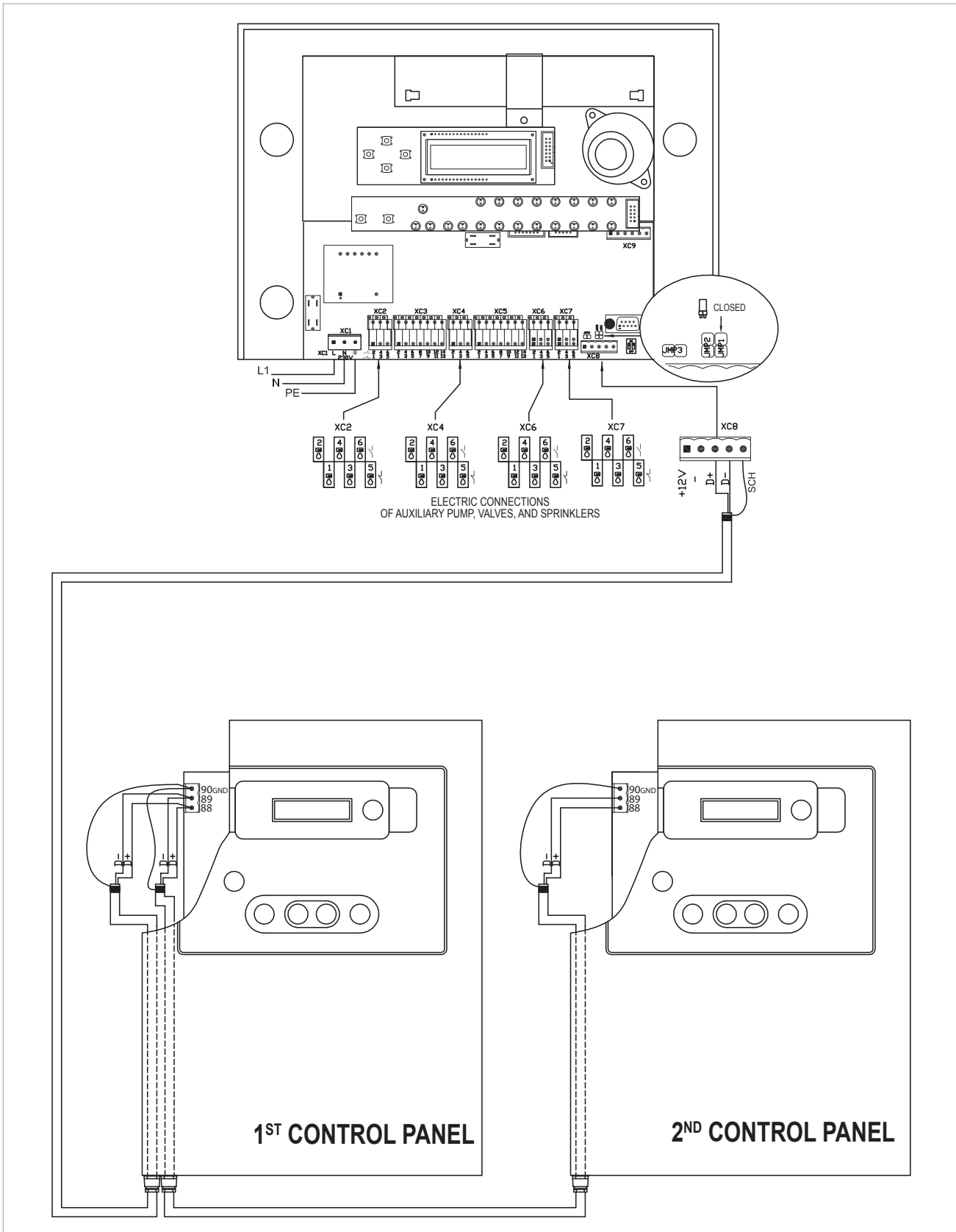
- system for one electric pump,
- system for two electric pumps,
- system for electric pump and Diesel pump,
- system for Diesel pump,
- system for two Diesel pumps.

The CSR-1 is a necessary accessory for the supervision of remote alarms, and guarantees autonomy of at least 20 hours as far as the operation of the alarms in case of power cuts from the electricity network. It is also possible to connect a GSM Modem (optional) in order to display alarms on a mobile phone, receiving system status SMS messages.

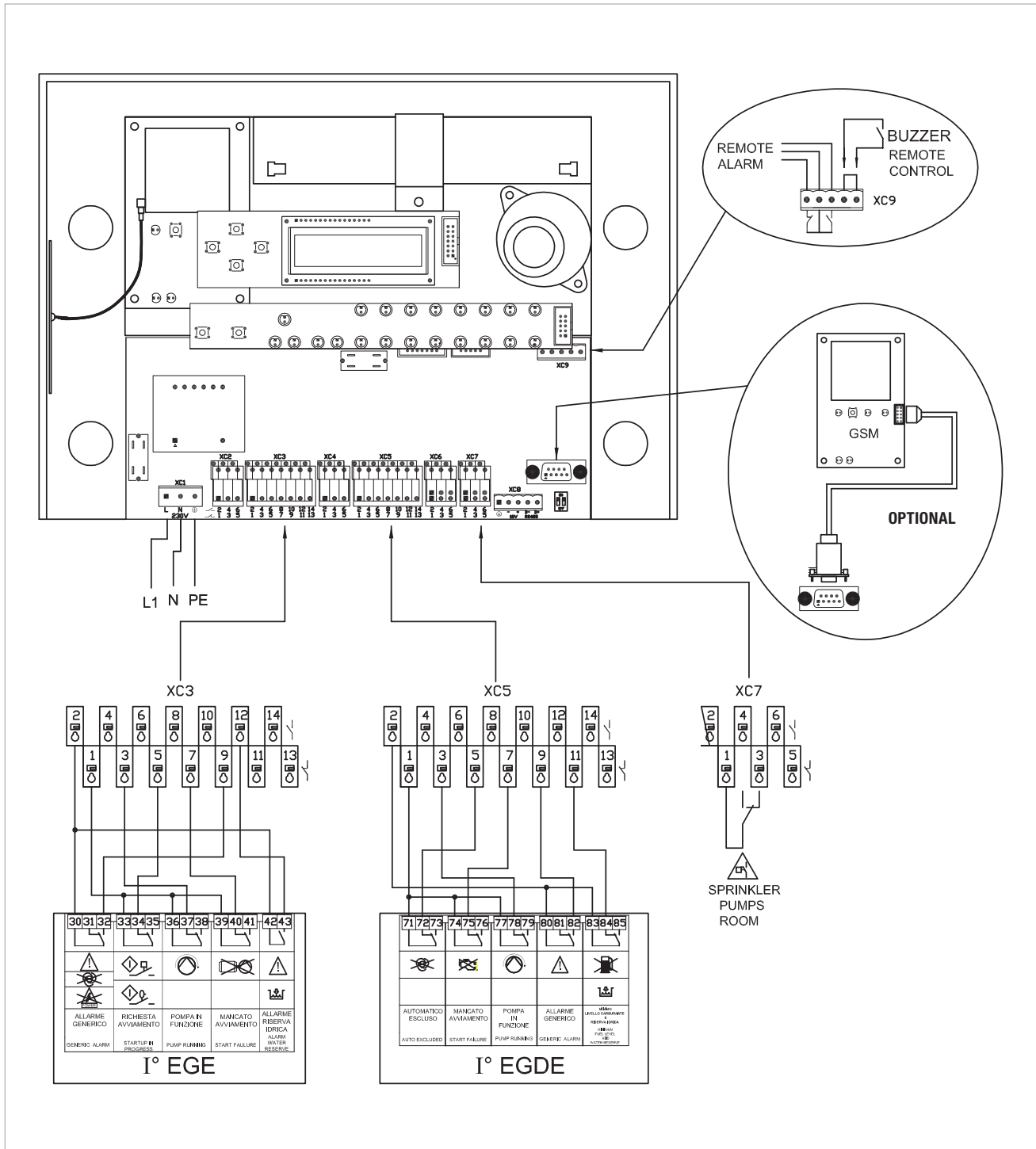
It is possible to remotely forward a cumulative signal of all the alarms using one output (XC9) with clean contact (without voltage) with remote silencing.



### DIAGRAM FOR SERIAL CONNECTION OF THE CSR-1 TO THE ELECTRIC AND DIESEL PUMP CONTROL PANELS



## DIAGRAM FOR CONTACT CONNECTION OF THE CSR-1 TO THE ELECTRIC AND DIESEL PUMP CONTROL PANELS



# 1 KDN COMPACT

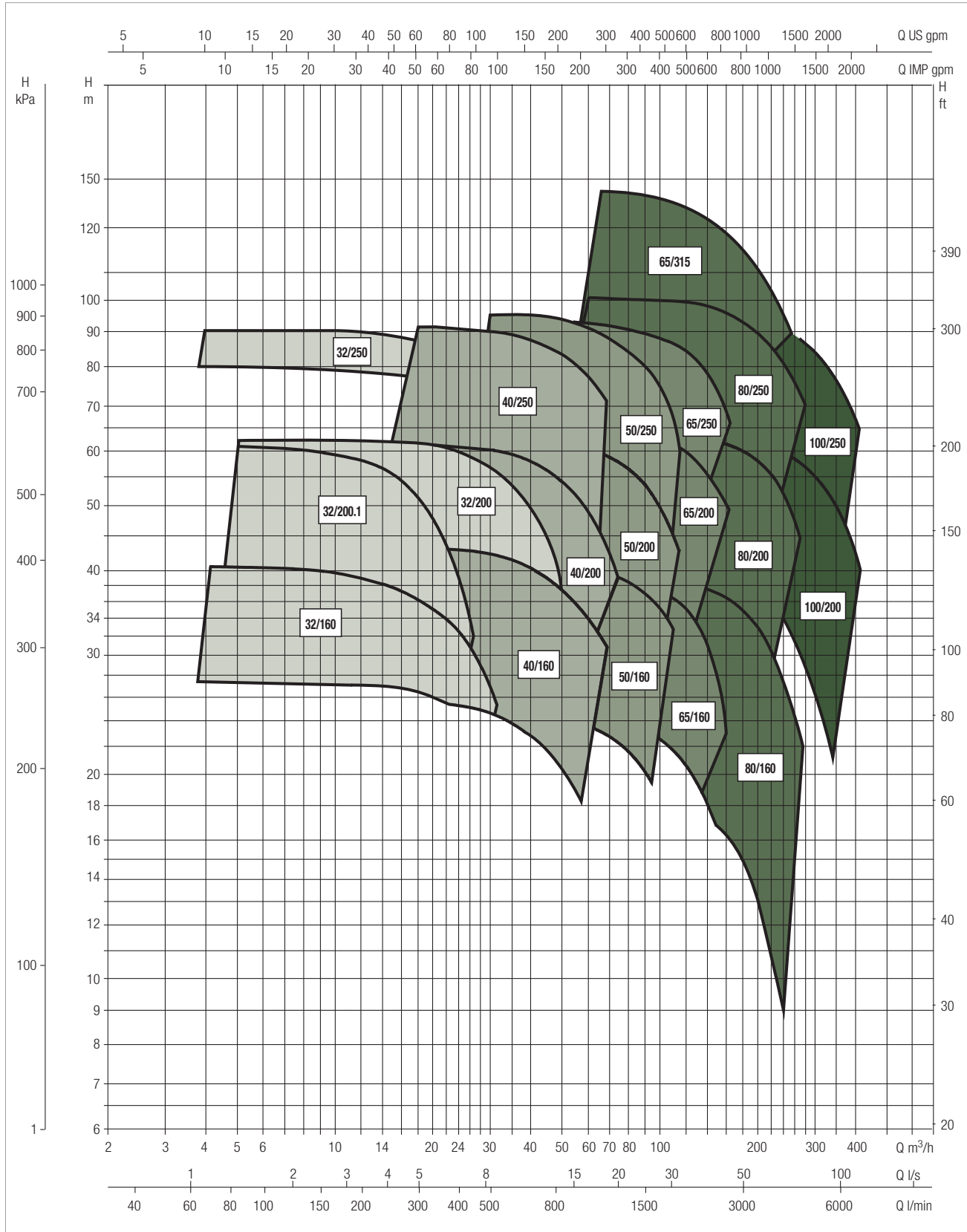
UNI EN 12845 FIRE-FIGHTING PUMP SETS

FIRE-FIGHTING PUMP SETS

## PERFORMANCE RANGE

The performance curves are based on kinematic viscosity values = 1 mm<sup>2</sup>/s and density equal to 1000 kg/m<sup>3</sup>. Curve tolerance according to ISO 9906.

### GRAPHIC SELECTION TABLE

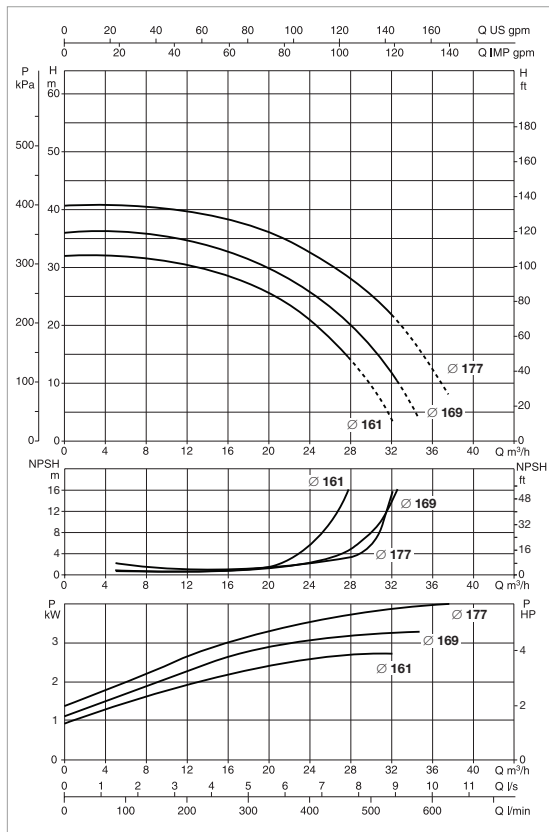


For higher performances contact our sales team



# 1 KDN 32-160.1/161-169-177 - UNI EN 12845 FIRE-FIGHTING PUMP SETS

Pumped liquid temperature range: from 0°C to +70°C - Maximum ambient temperature: from +4°C to +40°C



## KDN EN 12845 ELECTRIC PUMP

MODEL	POWER INPUT	JOCKEY PUMP*	P2 MAIN PUMP	P2 JOCKEY PUMP	In A	METER KIT
			kW	kW		
1KDN 32-160.1/161 3	3x400 V ~	JET 251 T	3	1,85	5,9	KDN32 EN 12845
1KDN 32-160.1/169 4	3x400 V ~	JET 251 T	4	1,85	8,1	KDN 32 EN 12845
1KDN 32-160.1/177 5,5	3x400 V ~	JET 251 T	5,5	1,85	10,4	KDN 32 EN 12845

## KDN EN 12845 DIESEL ENGINE-DRIVEN PUMP

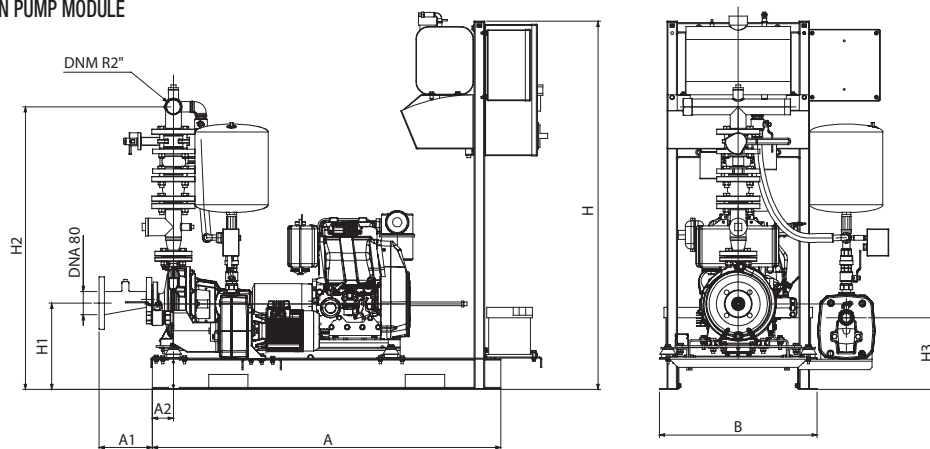
MODEL	BATTERY CHARGER POWER INPUT	JOCKEY PUMP*	** P2 DIESEL ENGINE - DRIVEN PUMP	P2 JOCKEY PUMP	METER KIT	FAN SURFACE
			kW	kW		
1KDN 32-160.1/161 MD	3x230 / 400 V ~	JET 251 T	7,1	1,85	KDN32 EN 12845	0,22 m <sup>2</sup>
1KDN 32-160.1/169 MD	3x230 / 400 V ~	JET 251 T	7,1	1,85	KDN32 EN 12845	0,22 m <sup>2</sup>
1KDN 32-160.1/177 MD	3x230 / 400 V ~	JET 251 T	7,1	1,85	KDN32 EN 12845	0,22 m <sup>2</sup>

\* Jockey pump on request.

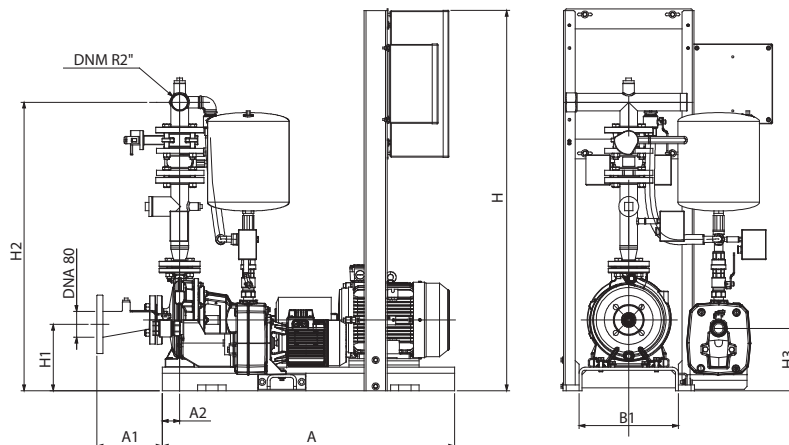
\*\* ISO 3046 continuous power The motor is capable of delivering 10 % more of the power requested by the pump.

The performance curves are based on kinematic viscosity values = 1 mm<sup>2</sup>/s and density equal to 1000 kg/m<sup>3</sup>. Curve tolerance according to ISO 9906.

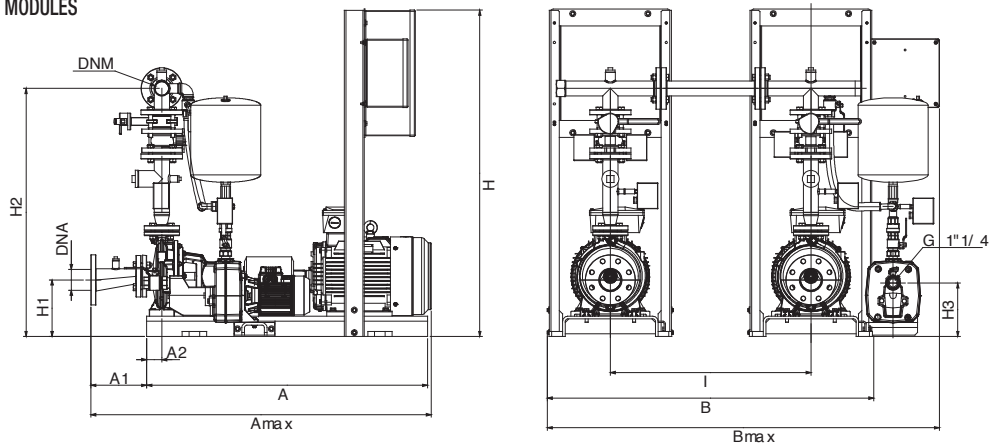
### DIESEL ENGINE-DRIVEN PUMP MODULE



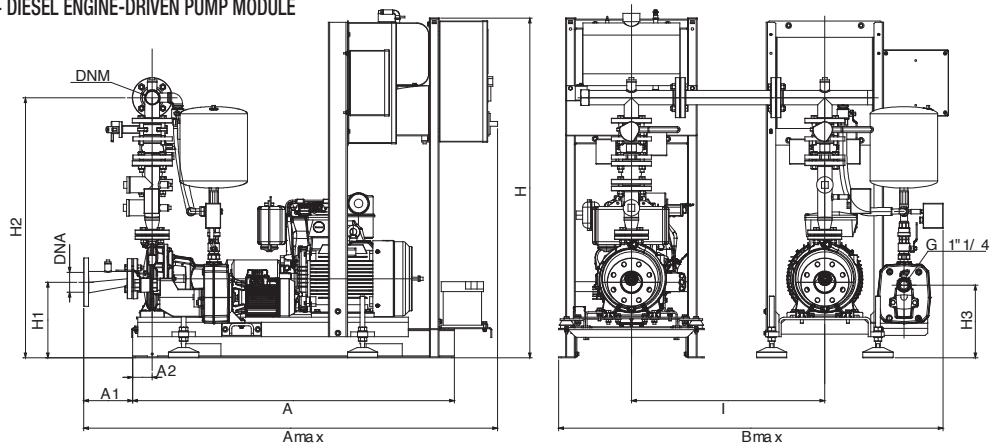
### ELECTRIC PUMP MODULE



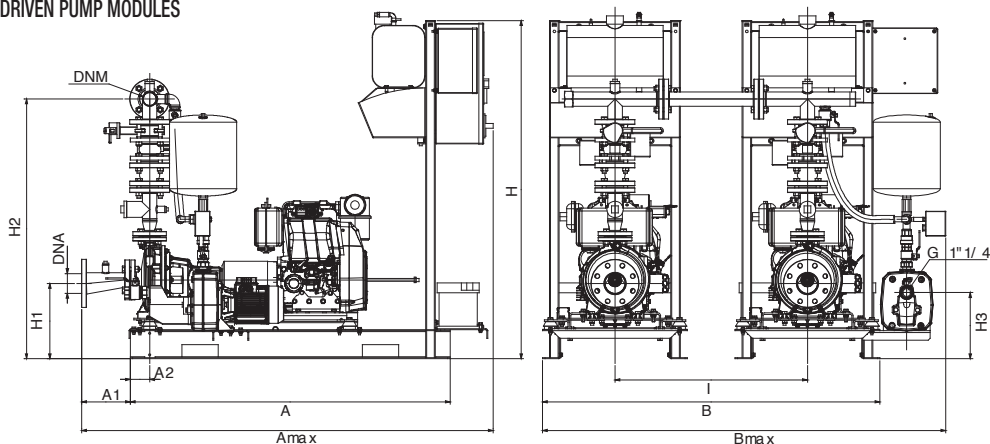
## 2 ELECTRIC PUMP MODULES



## ELECTRIC PUMP + DIESEL ENGINE-DRIVEN PUMP MODULE



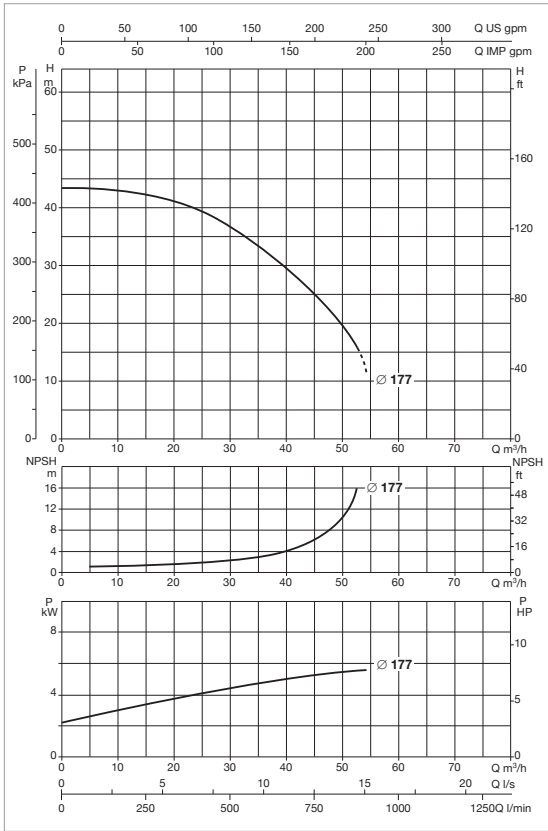
## 2 DIESEL ENGINE-DRIVEN PUMP MODULES



MODEL	A	A1	A2	A max	B	B1	B max	H	H1	H2	H3	I	DNA	DNM	WEIGHT without jockey pump kg	WEIGHT with jockey pump kg
<b>1KDN 32-160.1/161-169-177 - DIESEL ENGINE DRIVEN PUMP MODULE</b>	1330	203	81	1711	602	-	876	1505	876	1131	274	-	80	2"	344	384
<b>1KDN 32-160.1/161-169-177 - ELECTRIC PUMP MODULE</b>	1000	223	60	1223	462	340	723	1400	197	1037	213	-	80	2"	276	316
<b>1KDN 32-160.1/161-169-177 - 2 ELECTRIC PUMP MODULES</b>	1000	223	60	1223	1324	-	1585	1400	197	1037	213	-	80	2"	552	592
<b>1KDN 32-160.1/161-169-177 - ELECTRIC PUMP + DIESEL ENGINE DRIVEN PUMP MODULE</b>	1330	203	81	1711	1604	-	1878	1505	277	1131	274	800	80	2"	620	660
<b>1KDN 32-160.1/161-169-177 - 2 DIESEL ENGINE DRIVEN PUMP MODULES</b>	1330	203	81	1711	274	-	274	1505	277	1131	274	800	80	2"	688	728

# 1 KDN 32-160/177 - UNI EN 12845 FIRE-FIGHTING PUMP SETS

Pumped liquid temperature range: from 0°C to +70°C - Maximum ambient temperature: from +4°C to +40°C



## KDN EN 12845 ELECTRIC PUMP

MODEL	POWER INPUT	JOCKEY PUMP*	P2 MAIN PUMP	P2 JOCKEY PUMP	In A	METER KIT
			kW	kW		
1KDN 32-160/177 5,5	3x400 V ~	JET 251 T	5,5	1,85	10,4	KDN 32 EN 12845

## KDN EN 12845 DIESEL ENGINE-DRIVEN PUMP

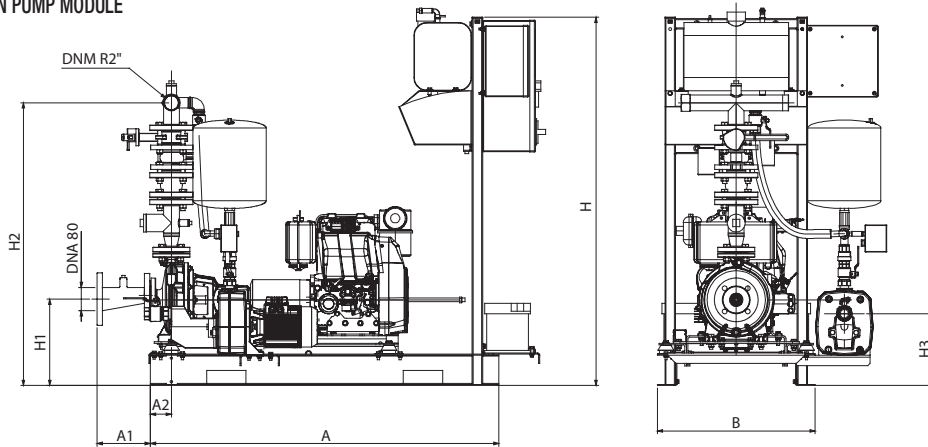
MODEL	BATTERY CHARGER POWER INPUT	JOCKEY PUMP*	** P2 DIESEL ENGINE - DRIVEN PUMP	P2 JOCKEY PUMP	METER KIT	FAN SURFACE
			kW	kW		
1KDN 32-160/177 MD	3x230 / 400 V ~	JET 251 T	7,1	1,85	KDN32 EN 12845	0,22 m²

\* Jockey pump on request.

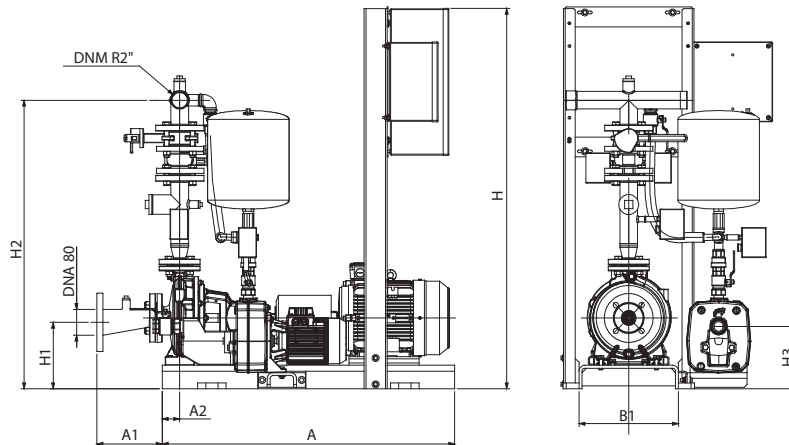
\*\* ISO 3046 continuous power The motor is capable of delivering 10 % more of the power requested by the pump.

The performance curves are based on kinematic viscosity values = 1 mm²/s and density equal to 1000 kg/m³. Curve tolerance according to ISO 9906.

### DIESEL ENGINE-DRIVEN PUMP MODULE



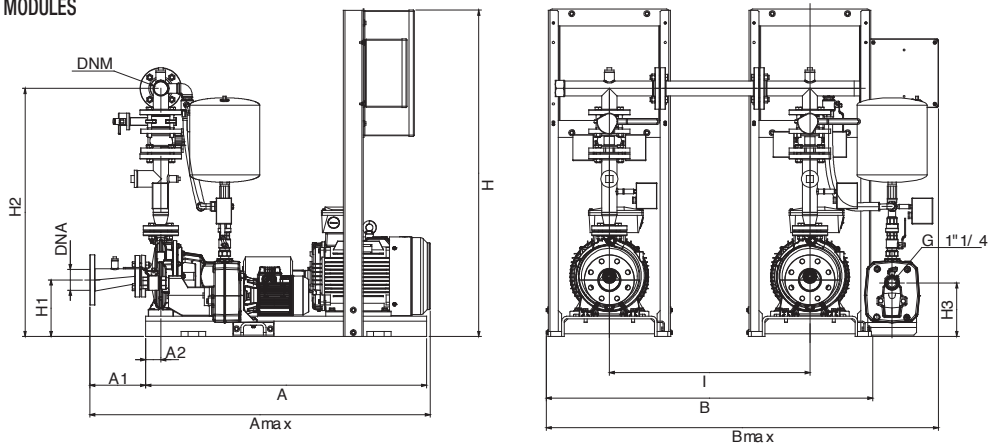
### ELECTRIC PUMP MODULE



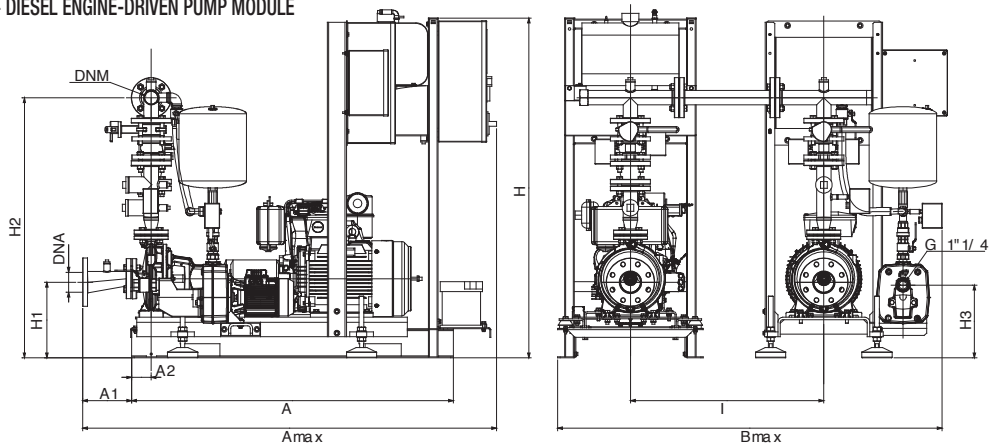
# 1 KDN 32-160/177 - UNI EN 12845 FIRE-FIGHTING PUMP SETS

FIRE-FIGHTING PUMP SETS

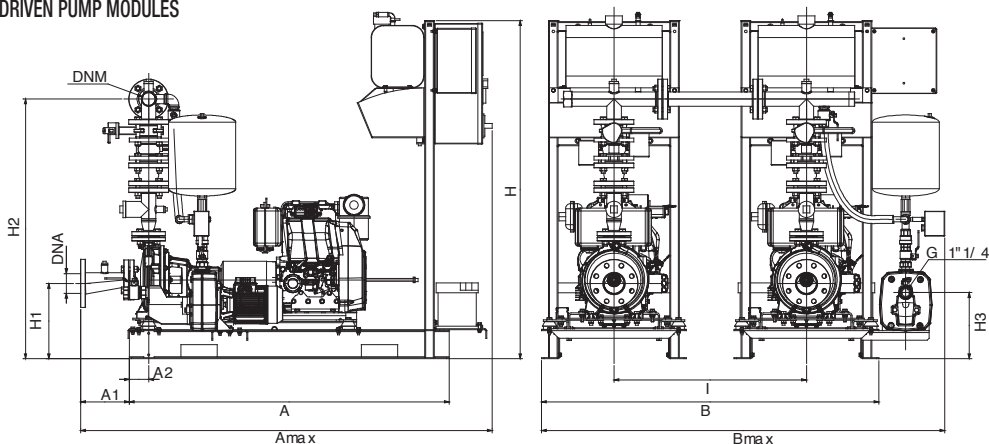
## 2 ELECTRIC PUMP MODULES



## ELECTRIC PUMP + DIESEL ENGINE-DRIVEN PUMP MODULE



## 2 DIESEL ENGINE-DRIVEN PUMP MODULES

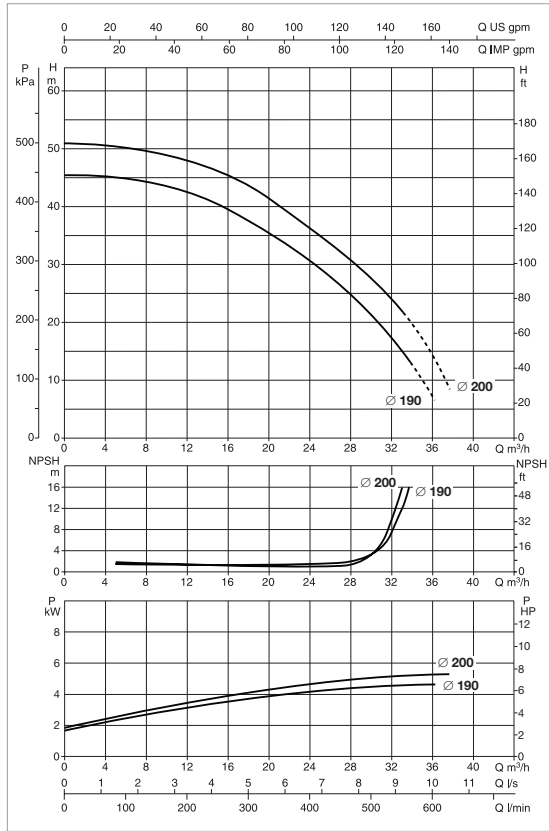


MODEL	A	A1	A2	A max	B	B1	B max	H	H1	H2	H3	I	DNA	DNM	WEIGHT without jockey pump kg	WEIGHT with jockey pump kg
<b>1KDN 32-160/177 - DIESEL ENGINE DRIVEN PUMP MODULE</b>	1330	203	81	1711	602	-	876	1505	284	1131	274	-	80	2"	344	384
<b>1KDN 32-160/177 - ELECTRIC PUMP MODULE</b>	1000	223	60	1223	462	340	723	1401	197	1037	213	-	80	2"	286	326
<b>1KDN 32-160/177 - 2 ELECTRIC PUMP MODULES</b>	1000	223	60	1223	1324	-	1585	1401	197	1037	213	-	80	2"	572	612
<b>1KDN 32-160/177 - ELECTRIC PUMP + DIESEL ENGINE DRIVEN PUMP MODULE</b>	1330	203	81	1711	1318	-	1878	1505	284	1131	274	-	80	2"	630	670
<b>1KDN 32-160/177 - 2 DIESEL ENGINE DRIVEN PUMP MODULES</b>	1330	203	81	1711	1604	-	1878	1505	284	1131	274	-	80	2"	688	728



# 1 KDN 32-200.1/190-200 - UNI EN 12845 FIRE-FIGHTING PUMP SETS

Pumped liquid temperature range: from 0°C to +70°C - Maximum ambient temperature: from +4°C to +40°C



## KDN EN 12845 ELECTRIC PUMP

MODEL	POWER INPUT	JOCKEY PUMP*	P2 MAIN PUMP	P2 JOCKEY PUMP	In A	METER KIT
			kW	kW		
1KDN 32-200.1/190 5,5	3x400 V ~	JET 251 T	5,5	1,85	10,4	KDN32 EN 12845
1KDN 32-200.1/200 5,5	3x400 V ~	JET 251 T	5,5	1,85	10,4	KDN 32 EN 12845

## KDN EN 12845 DIESEL ENGINE-DRIVEN PUMP

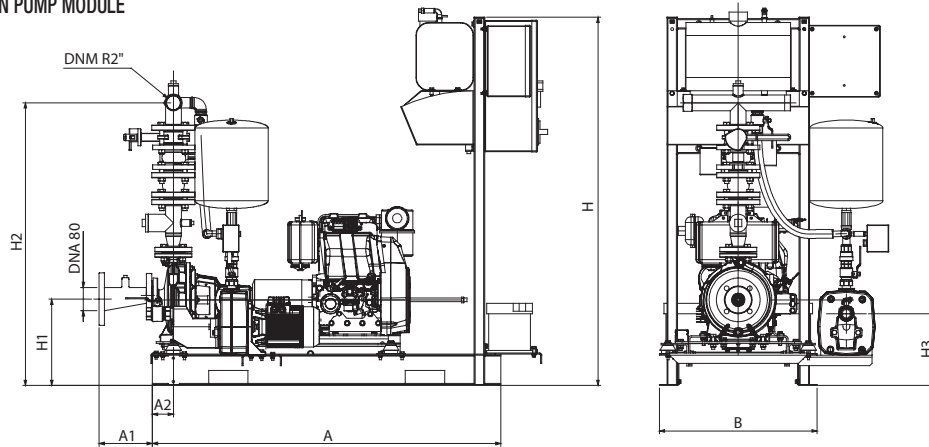
MODEL	BATTERY CHARGER POWER INPUT	JOCKEY PUMP*	** P2 DIESEL ENGINE - DRIVEN PUMP	P2 JOCKEY PUMP	METER KIT	FAN SURFACE
			kW	kW		
1KDN 32-200.1/190 MD	3x230 / 400 V ~	JET 251 T	7,1	1,85	KDN32 EN 12845	0,22 m²
1KDN 32-200.1/200 MD	3x230 / 400 V ~	JET 251 T	7,1	1,85	KDN32 EN 12845	0,22 m²

\* Jockey pump on request.

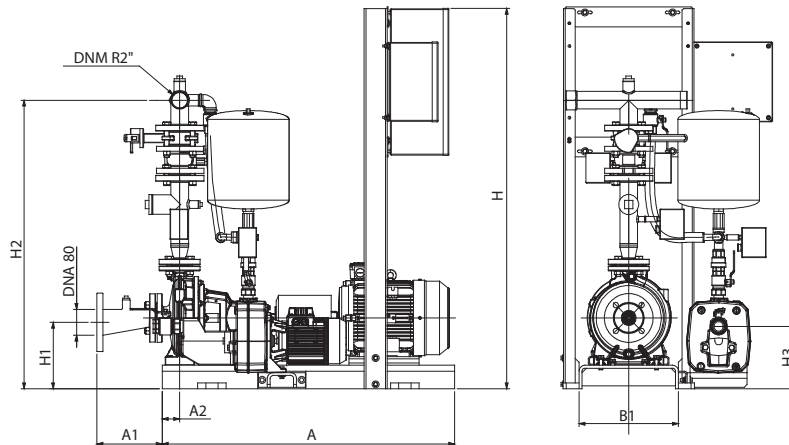
\*\* ISO 3046 continuous power The motor is capable of delivering 10 % more of the power requested by the pump.

The performance curves are based on kinematic viscosity values = 1 mm²/s and density equal to 1000 kg/m³. Curve tolerance according to ISO 9906.

### DIESEL ENGINE-DRIVEN PUMP MODULE



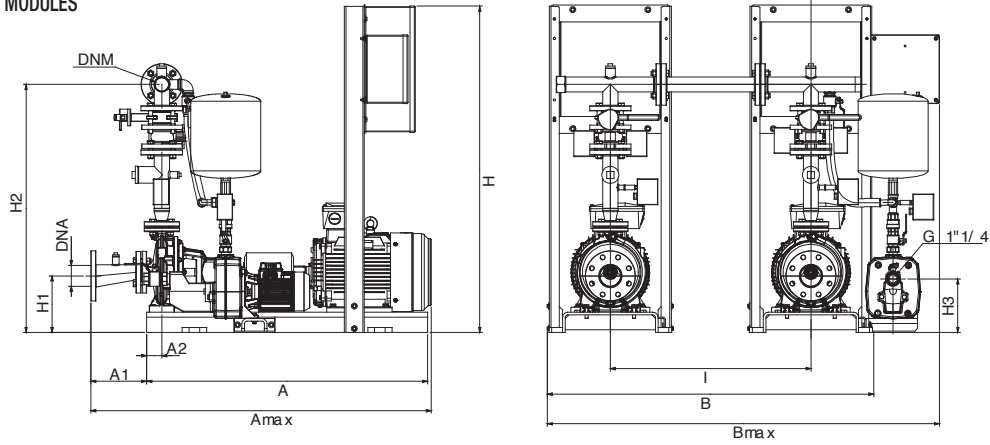
### ELECTRIC PUMP MODULE



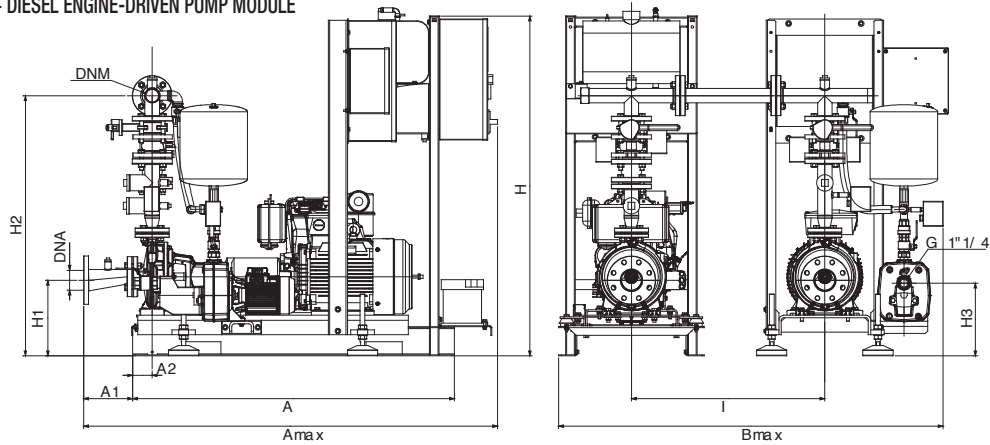


# 1 KDN 32-200.1/190-200 - UNI EN 12845 FIRE-FIGHTING PUMP SETS

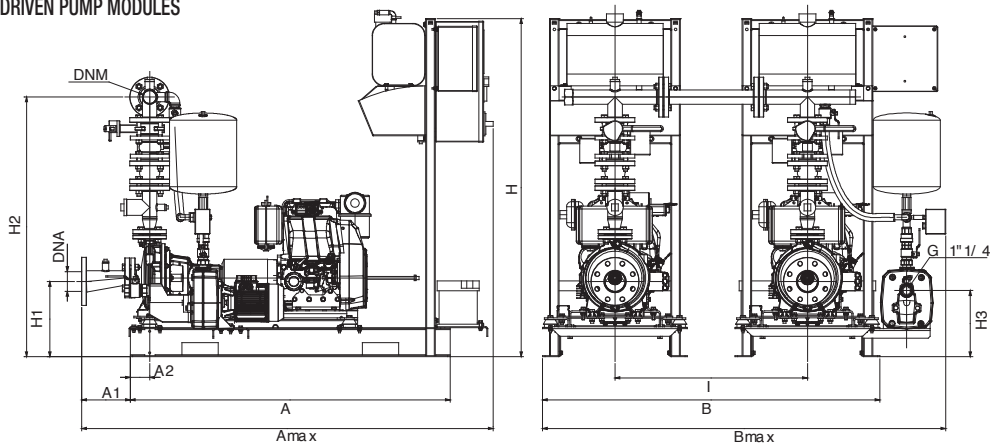
## 2 ELECTRIC PUMP MODULES



## ELECTRIC PUMP + DIESEL ENGINE-DRIVEN PUMP MODULE



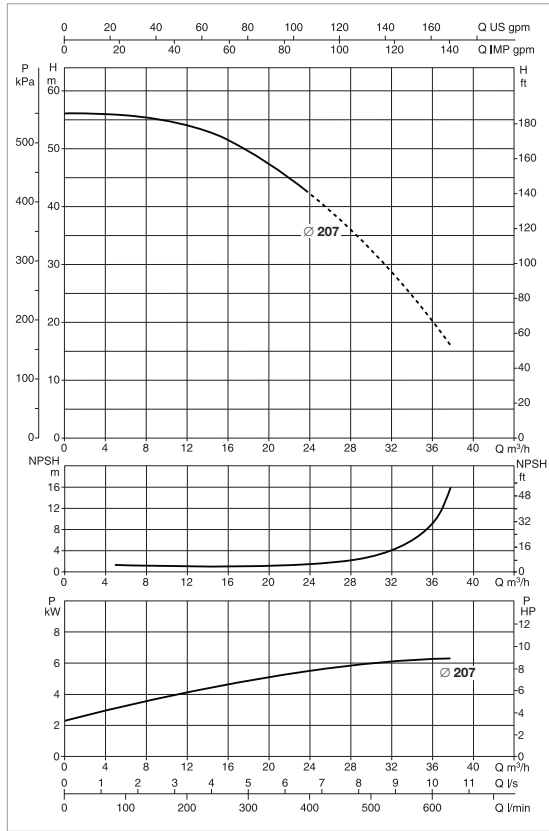
## 2 DIESEL ENGINE-DRIVEN PUMP MODULES



MODEL	A	A1	A2	A max	B	B1	B max	H	H1	H2	H3	I	DNA	DNM	WEIGHT without jockey pump kg	WEIGHT with jockey pump kg
1KDN 32-200.1/190-200 - DIESEL ENGINE DRIVEN PUMP MODULE	1330	202	81	1711	602	-	876	1505	330	1179	274	-	80	2"	371	411
1KDN 32-200.1/190-200 - ELECTRIC PUMP MODULE	1000	223	60	1223	462	340	723	1401	227	1089	213	-	80	2"	312	352
1KDN 32-200.1/190-200 - 2 ELECTRIC PUMP MODULES	1000	223	60	1223	1324	-	1585	1401	227	1089	213	800	80	2"	624	664
1KDN 32-200.1/190-200 - ELECTRIC PUMP + DIESEL ENGINE DRIVEN PUMP MODULE	1330	202	81	1711	1604	-	1878	1505	330	1179	274	800	80	2"	683	723
1KDN 32-200.1/190-200 - 2 DIESEL ENGINE DRIVEN PUMP MODULES	1330	202	81	1711	1604	-	1878	1505	330	1179	274	800	80	2"	742	782

# 1 KDN 32-200.1/207- UNI EN 12845 FIRE-FIGHTING PUMP SETS

Pumped liquid temperature range: from -15 °C to +70 °C - Maximum ambient temperature: from +4 °C to +40 °C



## KDN EN 12845 ELECTRIC PUMP

MODEL	POWER INPUT	JOCKEY PUMP*	P2 MAIN PUMP	P2 JOCKEY PUMP	In A	METER KIT
			kW	kW		
1 KDN 32-200.1/207 7,5	3x400 V ~	JET 251 T	7,5	1,85	13,4	KDN 32 EN 12845

## KDN EN 12845 DIESEL ENGINE-DRIVEN PUMP

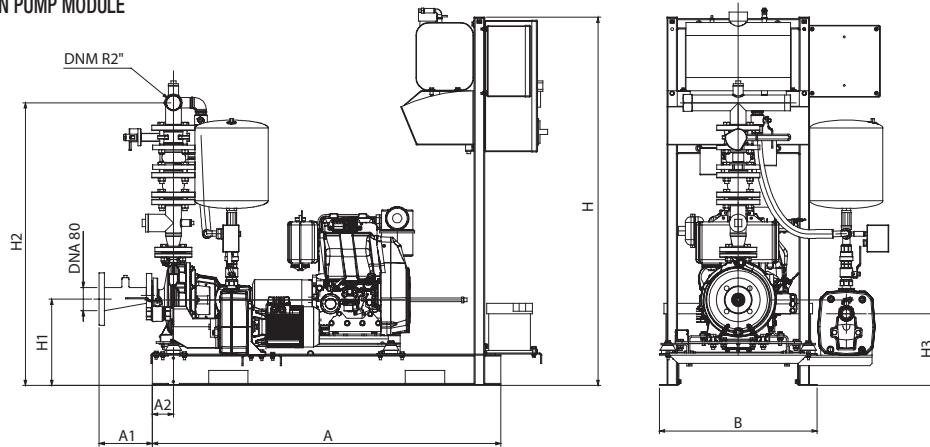
MODEL	BATTERY CHARGER POWER INPUT	JOCKEY PUMP*	** P2 DIESEL ENGINE - DRIVEN PUMP	P2 JOCKEY PUMP	METER KIT	FAN SURFACE
			kW	kW		
1 KDN 32-200.1/207 MD	3x230-400 V ~	JET 251 T	7,1	1,85	KDN 32 EN 12845	0,22 m²

\* Jockey pump on request.

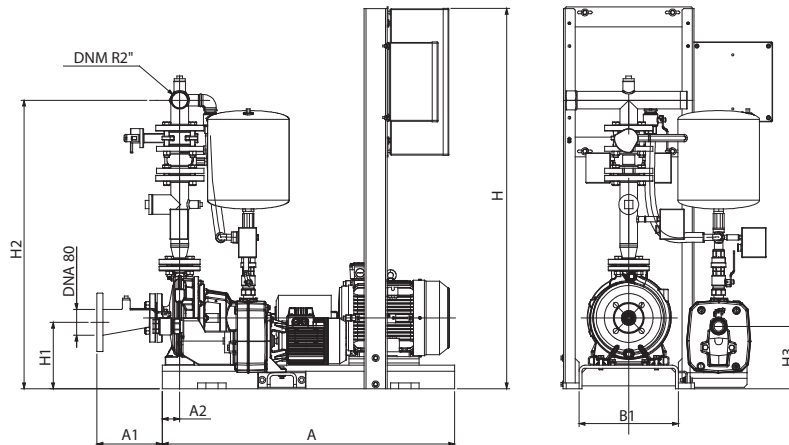
\*\* ISO 3046 continuous power The motor is capable of delivering 10 % more of the power requested by the pump.

The performance curves are based on kinematic viscosity values = 1 mm²/s and density equal to 1000 kg/m³. Curve tolerance according to ISO 9906.

### DIESEL ENGINE-DRIVEN PUMP MODULE

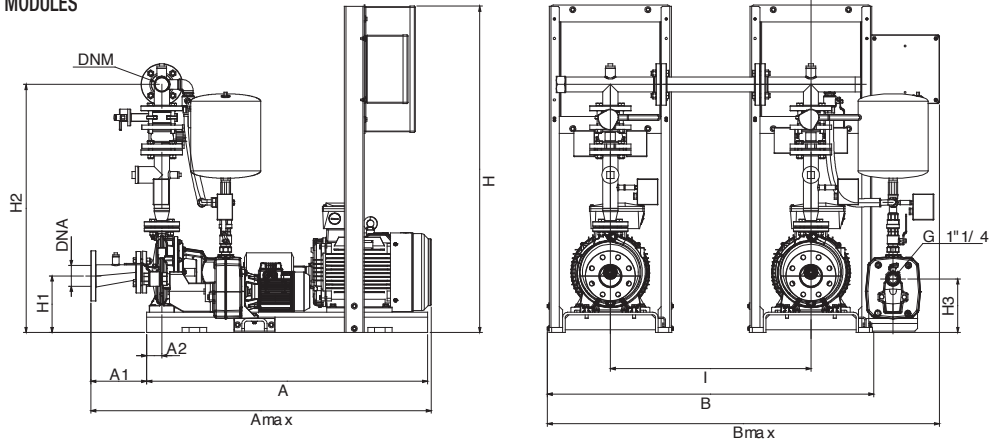


### ELECTRIC PUMP MODULE

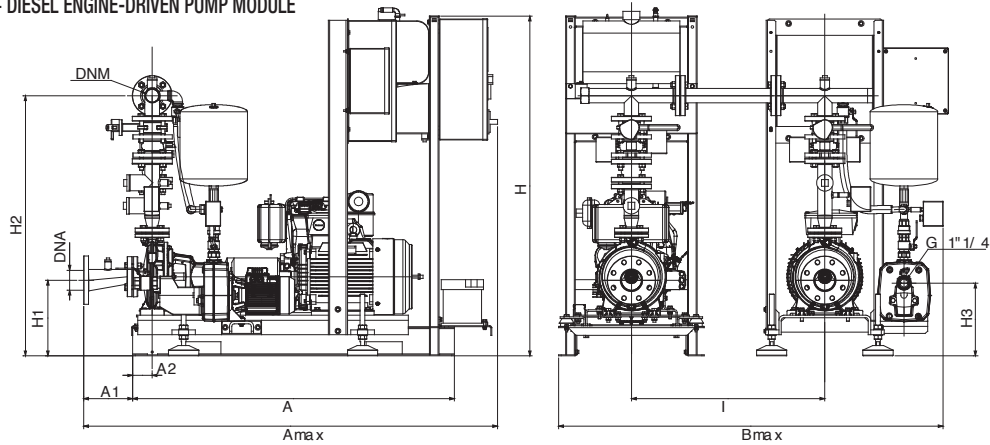


# 1 KDN 32-200.1/207 - UNI EN 12845 FIRE-FIGHTING PUMP SETS

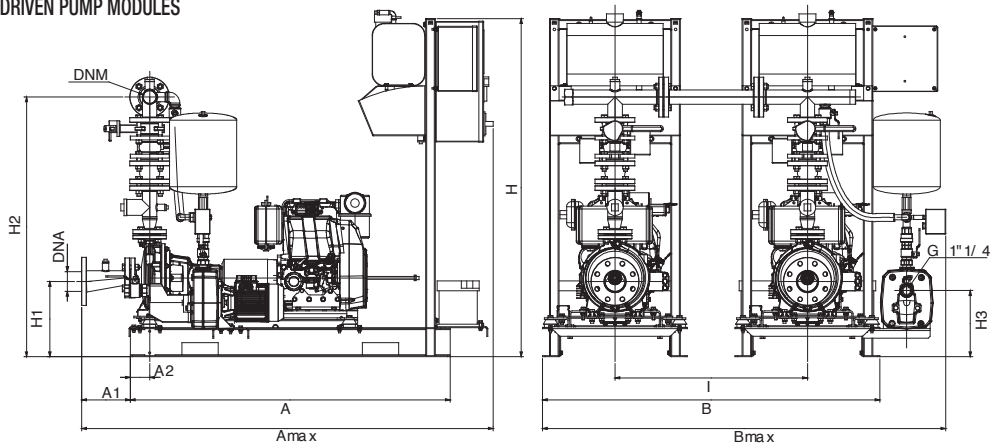
## 2 ELECTRIC PUMP MODULES



## ELECTRIC PUMP + DIESEL ENGINE-DRIVEN PUMP MODULE



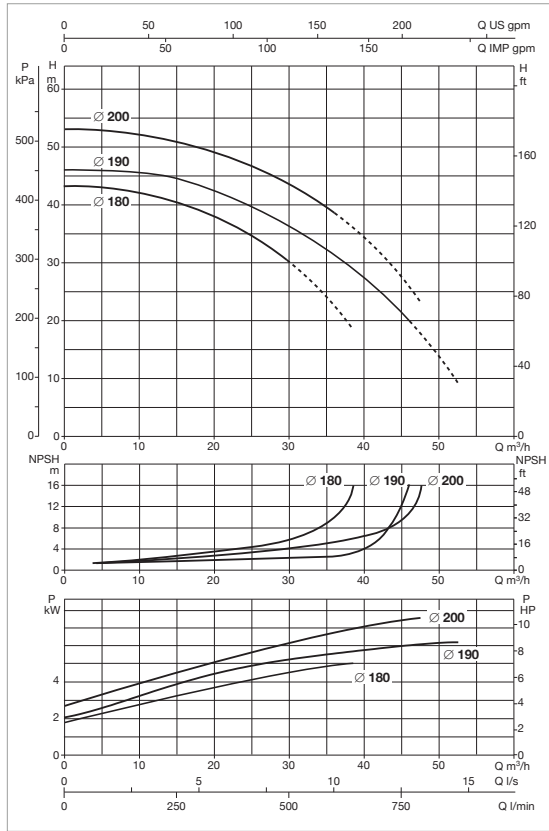
## 2 DIESEL ENGINE-DRIVEN PUMP MODULES



MODEL	A	A1	A2	A max	B	B1	B max	H	H1	H2	H3	I	DNA	DNM	WEIGHT without jockey pump kg	WEIGHT with jockey pump kg
1 KDN 32-200.1/207 - DIESEL ENGINE DRIVEN PUMP MODULE	1330	202	81	1711	1604	1878	-	1505	330	1179	274	-	80	2"	371	411
1 KDN 32-200.1/207 - ELECTRIC PUMP MODULE	1000	223	60	1223	462	340	723	1401	227	1089	213	-	80	2"	317	357
1 KDN 32-200.1/207 - 2 ELECTRIC PUMP MODULES	1000	223	60	1223	1324	-	1585	1401	227	1089	213	800	80	2"	634	674
1 KDN 32-200.1/207 - ELECTRIC PUMP + DIESEL ENGINE DRIVEN PUMP MODULE	1330	202	81	1711	1604	-	1878	1505	330	1179	274	800	80	2"	688	728
1 KDN 32-200.1/207 - 2 DIESEL ENGINE DRIVEN PUMP MODULES	1330	202	81	1711	1604	-	1878	1505	330	1179	274	800	80	2"	742	782

# 1 KDN 32-200/180-190-200 - UNI EN 12845 FIRE-FIGHTING PUMP SETS

Pumped liquid temperature range: from -15 °C to +70 °C - Maximum ambient temperature: from +4 °C to +40 °C



## KDN EN 12845 ELECTRIC PUMP

MODEL	POWER INPUT	JOCKEY PUMP*	P2 MAIN PUMP	P2 JOCKEY PUMP	In A	METER KIT
			kW	kW		
1 KDN 32-200/180 5,5	3x400 V ~	JET 251 T	5,5	1,85	10,4	KDN 32 EN 12845
1 KDN 32-200/190 7,5	3x400 V ~	JET 251 T	7,5	1,85	13,4	KDN 32 EN 12845
1 KDN 32-200/200 7,5	3x400 V ~	JET 251 T	7,5	1,85	13,4	KDN 32 EN 12845

## KDN EN 12845 DIESEL ENGINE-DRIVEN PUMP

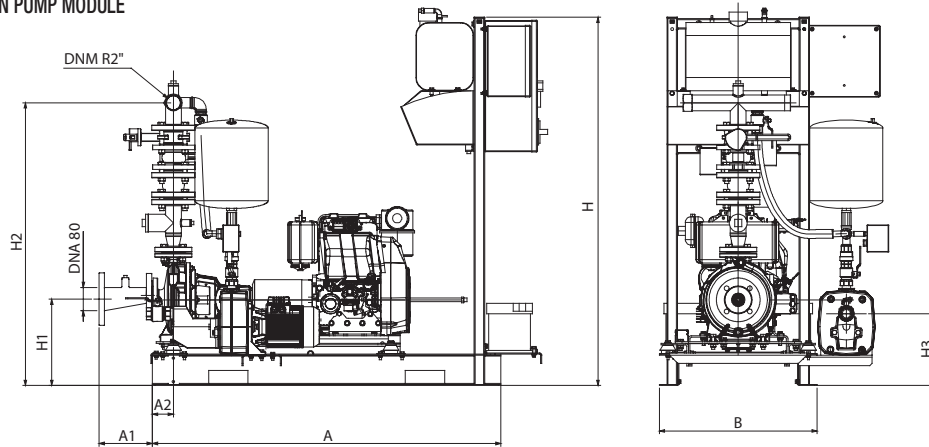
MODEL	BATTERY CHARGER POWER INPUT	JOCKEY PUMP*	** P2 DIESEL ENGINE - DRIVEN PUMP	P2 JOCKEY PUMP	METER KIT	FAN SURFACE
			kW	kW		
1 KDN 32-200/180 MD	3x230-400 V ~	JET 251 T	7,1	1,85	KDN 32 EN 12845	0,22 m²
1 KDN 32-200/190 MD	3x230-400 V ~	JET 251 T	7,1	1,85	KDN 32 EN 12845	0,22 m²
1 KDN 32-200/200 MD	3x230-400 V ~	JET 251 T	7,1	1,85	KDN 32 EN 12845	0,22 m²

\* Jockey pump on request.

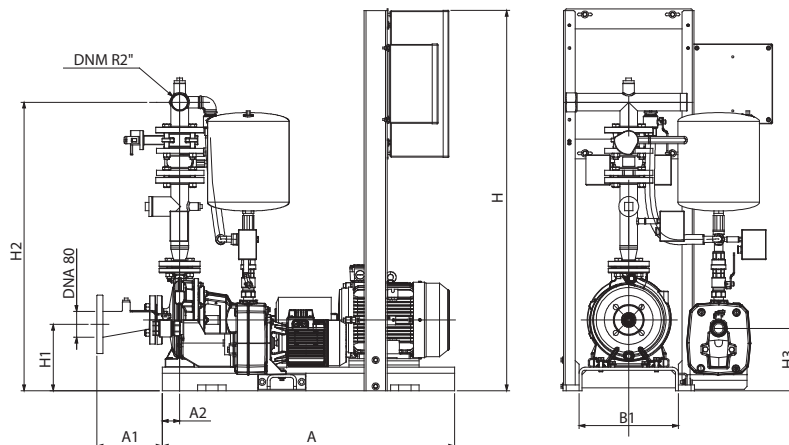
\*\* ISO 3046 continuous power The motor is capable of delivering 10 % more of the power requested by the pump.

The performance curves are based on kinematic viscosity values = 1 mm²/s and density equal to 1000 kg/m³. Curve tolerance according to ISO 9906.

### DIESEL ENGINE-DRIVEN PUMP MODULE



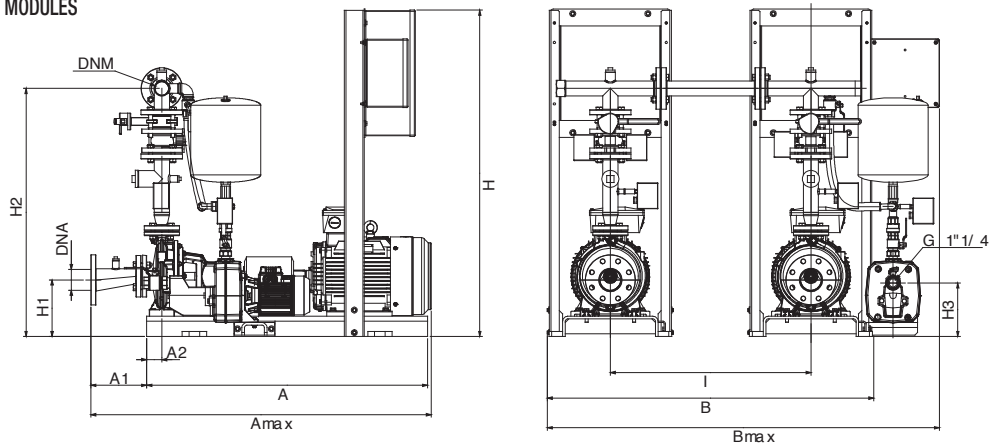
### ELECTRIC PUMP MODULE



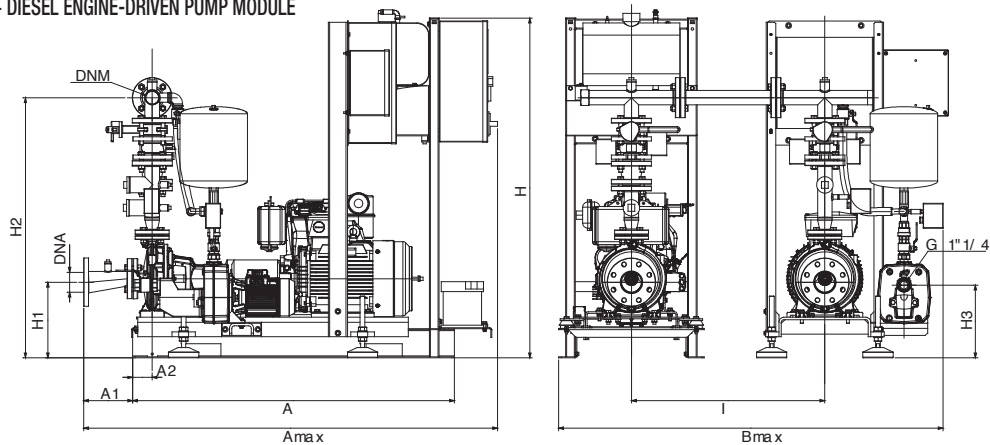
# 1 KDN 32-200/180-190-200 - UNI EN 12845 FIRE-FIGHTING PUMP SETS

FIRE-FIGHTING PUMP SETS

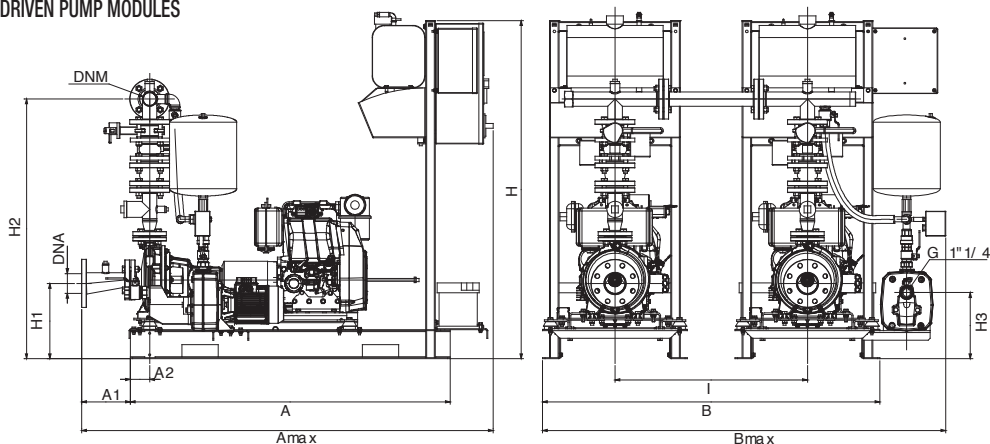
## 2 ELECTRIC PUMP MODULES



## ELECTRIC PUMP + DIESEL ENGINE-DRIVEN PUMP MODULE



## 2 DIESEL ENGINE-DRIVEN PUMP MODULES

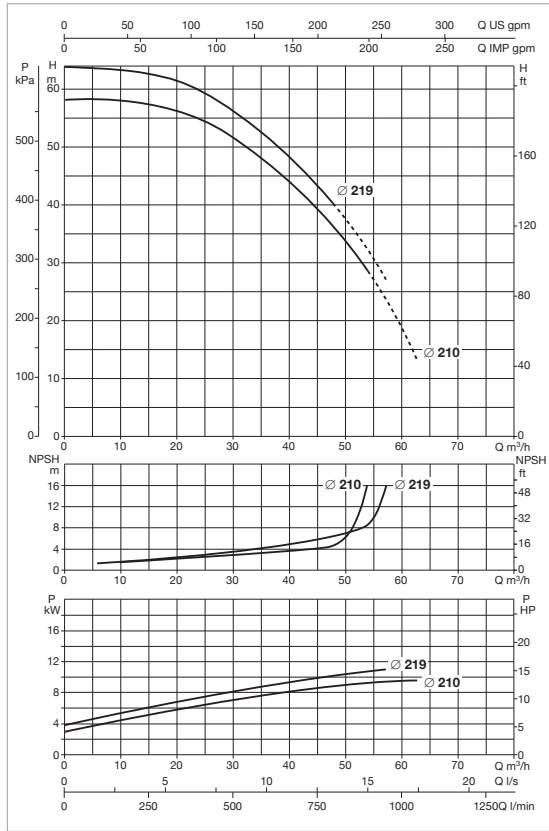


MODEL	A	A1	A2	A max	B	B1	B max	H	H1	H2	H3	I	DNA	DNM	WEIGHT without jockey pump kg	WEIGHT with jockey pump kg
<b>1 KDN 32-200/180-190-200 - DIESEL ENGINE DRIVEN PUMP MODULE</b>	1330	202	81	1711	602	-	876	1505	330	1179	274	-	80	2"	356	396
<b>1 KDN 32-200/180-190-200 - ELECTRIC PUMP MODULE</b>	1000	223	60	1223	462	340	723	1401	227	1087	213	-	80	2"	351	397
<b>1 KDN 32-200/180-190-200 - 2 ELECTRIC PUMP MODULES</b>	1000	223	60	1223	1324	-	1585	1401	227	1087	213	800	80	2"	702	748
<b>1 KDN 32-200/180-190-200 - ELECTRIC PUMP + DIESEL ENGINE DRIVEN PUMP MODULE</b>	1330	202	81	1711	1604	-	1878	1505	330	1179	274	800	80	2"	707	753
<b>1 KDN 32-200/180-190-200 - 2 DIESEL ENGINE DRIVEN PUMP MODULES</b>	1330	202	81	1711	1604	-	1878	1505	330	1179	274	800	80	2"	712	752



# 1 KDN 32-200/210-219 - UNI EN 12845 FIRE-FIGHTING PUMP SETS

Pumped liquid temperature range: from -15 °C to +70 °C - Maximum ambient temperature: from +4 °C to +40 °C



## KDN EN 12845 ELECTRIC PUMP

MODEL	POWER INPUT	JOCKEY PUMP*	P2 MAIN PUMP	P2 JOCKEY PUMP	In A	METER KIT
			kW	kW		
1 KDN 32-200/210 11	3x400 V ~	JET 251 T	11	1,85	19,4	KDN 32 EN 12845
1 KDN 32-200/219 11	3x400 V ~	JET 251 T	11	1,85	19,4	KDN 32 EN 12845

## KDN EN 12845 DIESEL ENGINE-DRIVEN PUMP

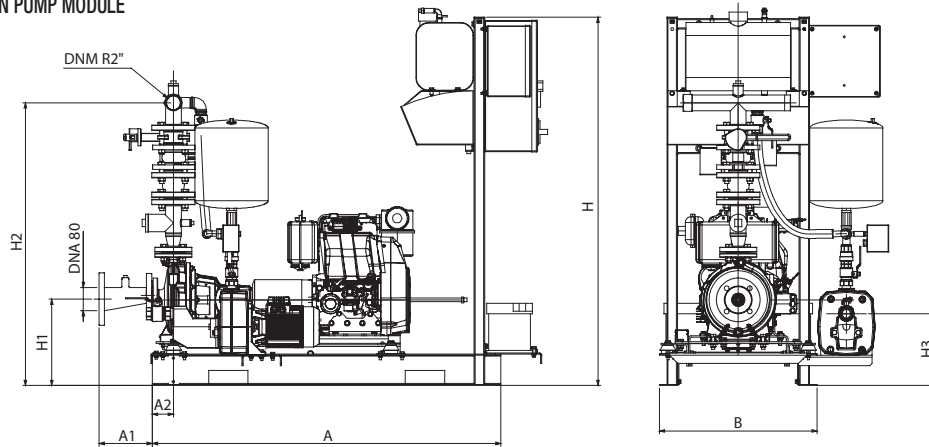
MODEL	BATTERY CHARGER POWER INPUT	JOCKEY PUMP*	** P2 DIESEL ENGINE - DRIVEN PUMP	P2 JOCKEY PUMP	METER KIT	FAN SURFACE
			kW	kW		
1 KDN 32-200/210 11	3x230-400 V ~	JET 251 T	11	1,85	KDN 32 EN 12845	0,22 m²
1 KDN 32-200/219 MD	3x230-400 V ~	JET 251 T	11	1,85	KDN 32 EN 12845	0,22 m²

\* Jockey pump on request.

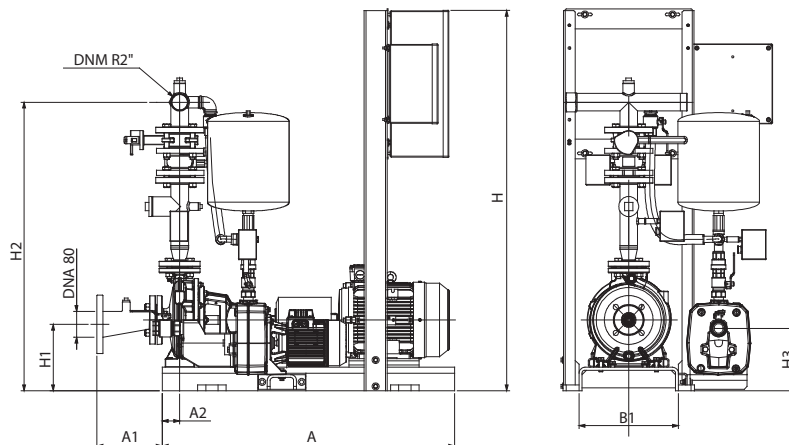
\*\* ISO 3046 continuous power The motor is capable of delivering 10 % more of the power requested by the pump.

The performance curves are based on kinematic viscosity values = 1 mm²/s and density equal to 1000 kg/m³. Curve tolerance according to ISO 9906.

### DIESEL ENGINE-DRIVEN PUMP MODULE



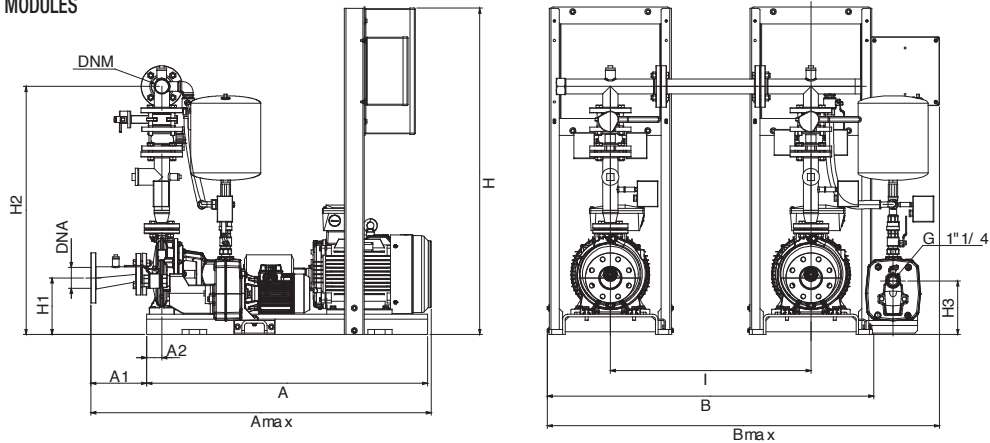
### ELECTRIC PUMP MODULE



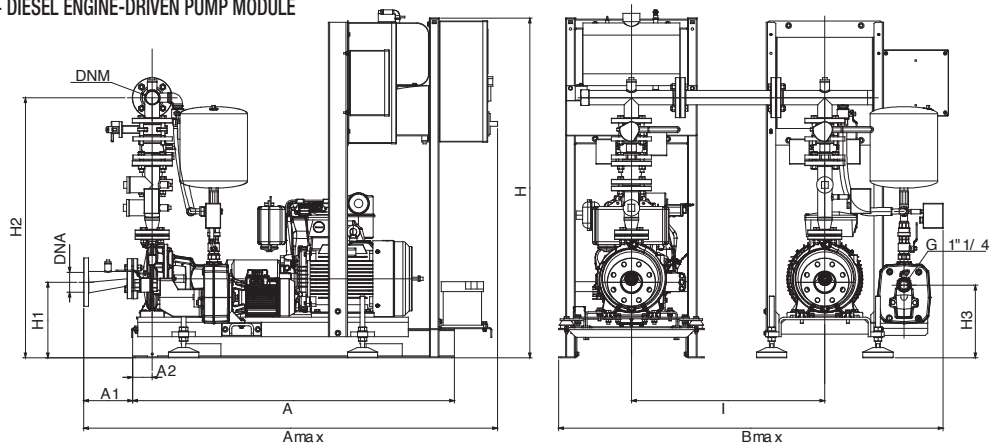
# 1 KDN 32-200/210-219 - UNI EN 12845 FIRE-FIGHTING PUMP SETS

FIRE-FIGHTING PUMP SETS

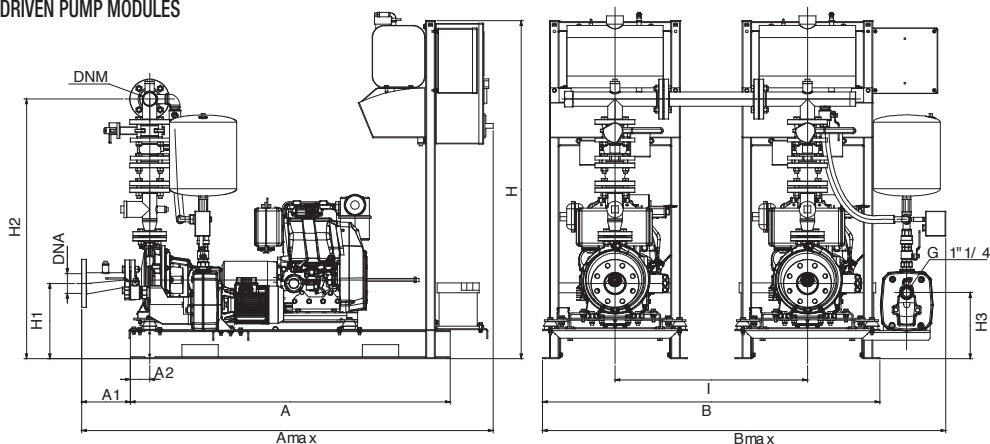
## 2 ELECTRIC PUMP MODULES



## ELECTRIC PUMP + DIESEL ENGINE-DRIVEN PUMP MODULE



## 2 DIESEL ENGINE-DRIVEN PUMP MODULES

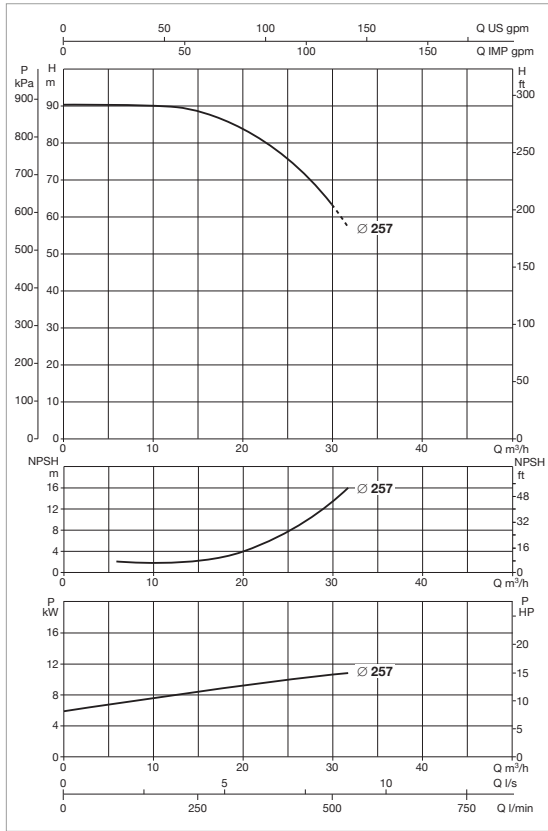


MODEL	A	A1	A2	A max	B	B1	B max	H	H1	H2	H3	I	DNA	DNM	WEIGHT without jockey pump kg	WEIGHT with jockey pump kg
1 KDN 32-200/210-219 - DIESEL ENGINE DRIVEN PUMP MODULE	1330	203	81	1711	602	-	876	1505	330	1179	274	-	80	2"	356	396
1 KDN 32-200/210-219 - ELECTRIC PUMP MODULE	1120	223	60	1358	502	380	763	1401	225	1087	213	-	80	2"	361	400
1 KDN 32-200/210-219 - 2 ELECTRIC PUMP MODULES	1120	223	60	1358	1404	-	1665	1401	225	1087	213	800	80	2"	722	761
1 KDN 32-200/210-219 - ELECTRIC PUMP + DIESEL ENGINE DRIVEN PUMP MODULE	1330	203	81	1711	1604	-	1878	1505	330	1179	274	800	80	2"	717	756
1 KDN 32-200/210-219 - 2 DIESEL ENGINE DRIVEN PUMP MODULES	1330	203	81	1711	1604	-	1878	1505	330	1179	274	800	80	2"	712	752



# 1 KDN 32-250/257- UNI EN 12845 FIRE-FIGHTING PUMP SETS

Pumped liquid temperature range: from -15 °C to +70 °C - Maximum ambient temperature: from +4 °C to +40 °C



## KDN EN 12845 ELECTRIC PUMP

MODEL	POWER INPUT	JOCKEY PUMP*	P2 MAIN PUMP	P2 JOCKEY PUMP	In A	METER KIT
			kW	kW		
1 KDN 32-250/257 15	3x400 V ~	KVCX 65/80 T	15	2,2	26,5	KDN 32 EN 12845

## KDN EN 12845 DIESEL ENGINE-DRIVEN PUMP

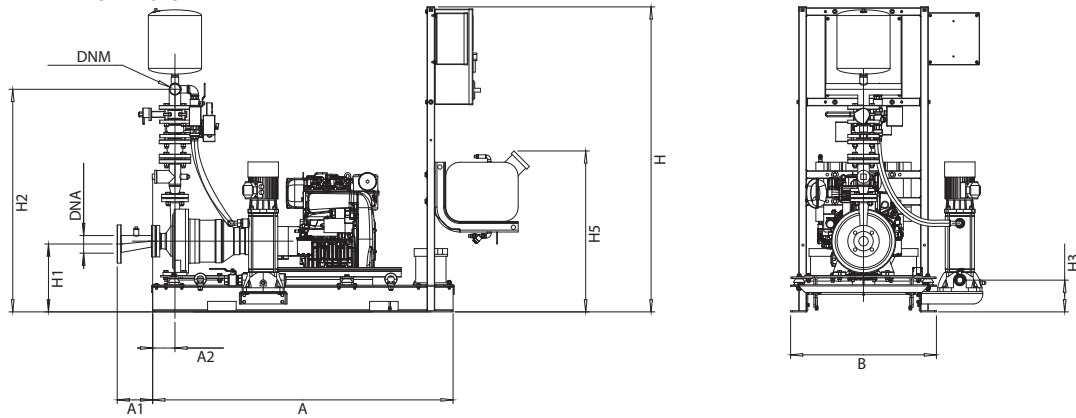
MODEL	BATTERY CHARGER POWER INPUT	JOCKEY PUMP*	** P2 DIESEL ENGINE - DRIVEN PUMP	P2 JOCKEY PUMP	METER KIT	FAN SURFACE
			kW	kW		
1 KDN 32-250/257 15	3x230-400 V ~	KVCX 65/80 T	15	2,2	KDN 32 EN 12845	0,22 m²

\* Jockey pump on request.

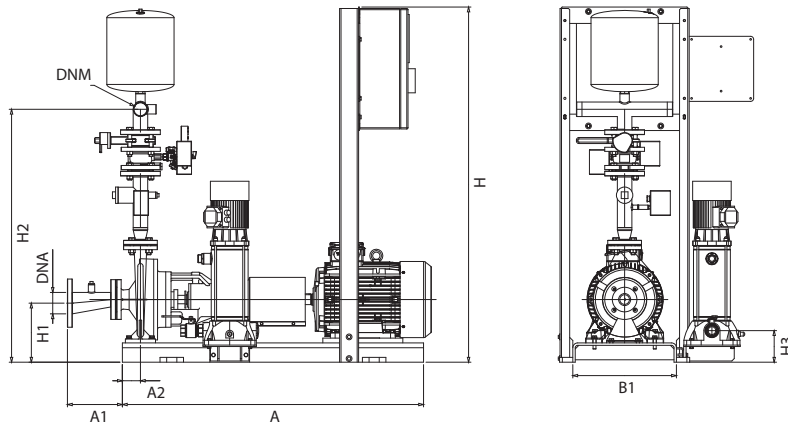
\*\* ISO 3046 continuous power The motor is capable of delivering 10 % more of the power requested by the pump.

The performance curves are based on kinematic viscosity values = 1 mm²/s and density equal to 1000 kg/m³. Curve tolerance according to ISO 9906.

### DIESEL ENGINE-DRIVEN PUMP MODULE



### ELECTRIC PUMP MODULE

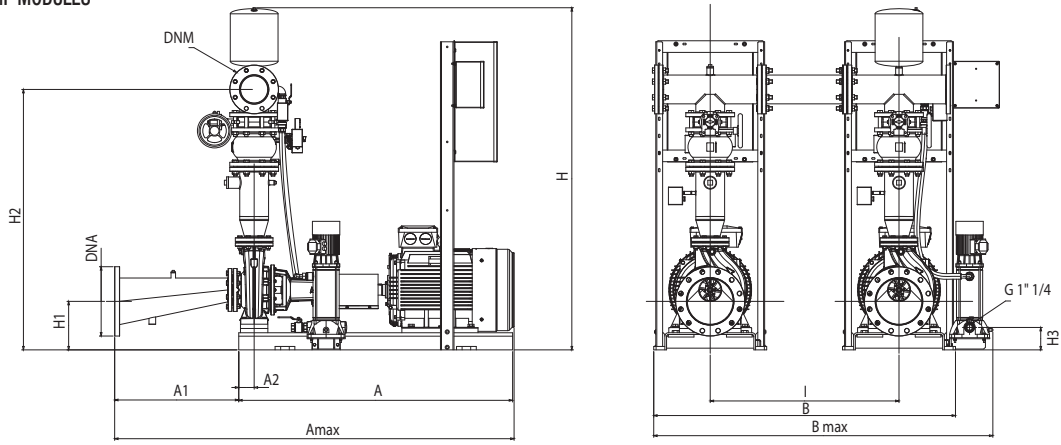


The dashed components are not included in the standard supply.

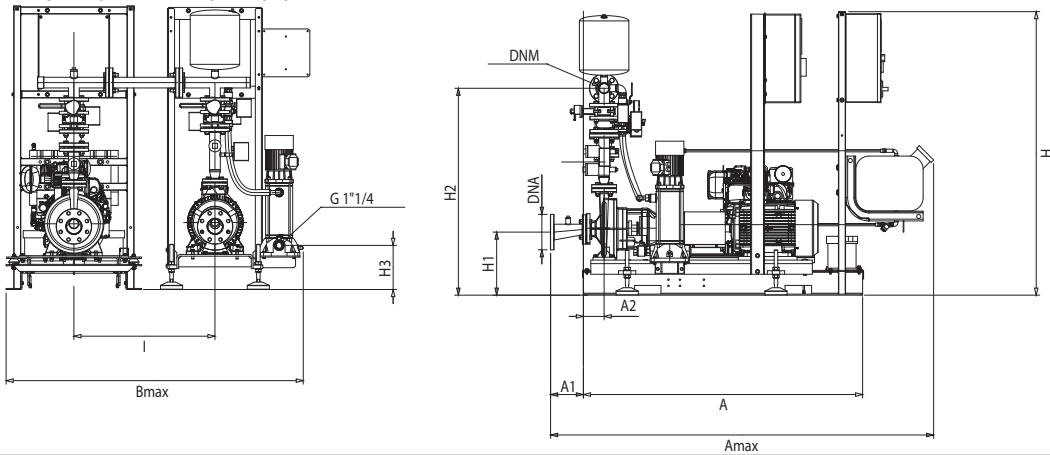


# 1 KDN 32-250/257 - UNI EN 12845 FIRE-FIGHTING PUMP SETS

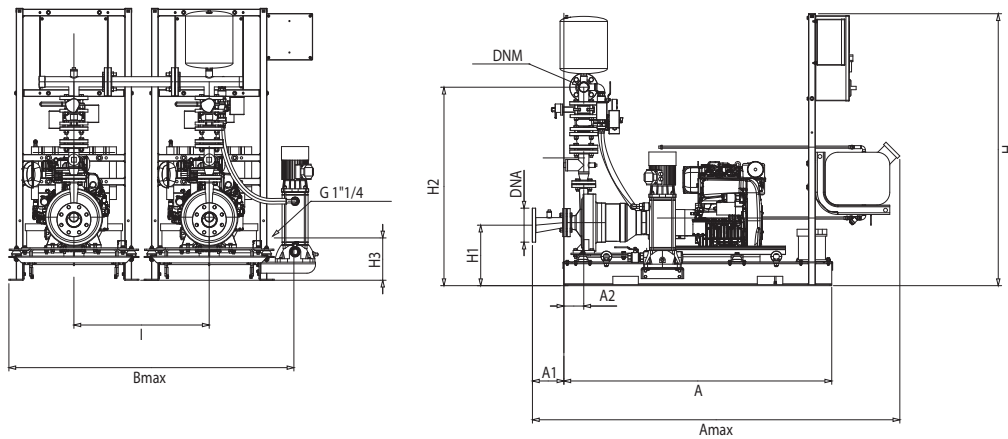
## 2 ELECTRIC PUMP MODULES



## ELECTRIC PUMP + DIESEL ENGINE-DRIVEN PUMP MODULE



## 2 DIESEL ENGINE-DRIVEN PUMP MODULES

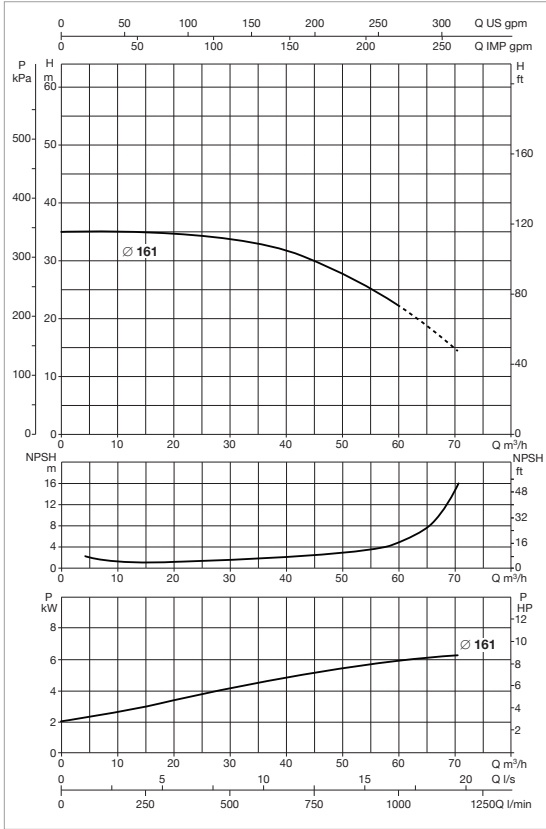


The dashed components are not included in the standard supply.

MODEL	A	A1	A2	A max	B	B1	B max	H	H1	H2	H3	H5	I	DNA	DNM	WEIGHT without jockey pump kg	WEIGHT with jockey pump kg
<b>1 KDN 32-250/257 - DIESEL ENGINE DRIVEN PUMP MODULE</b>	1576	186	117	2163	765	-	1024	1700	356	1268	167	844	-	80	2"	367	400
<b>1 KDN 32-250/257 - ELECTRIC PUMP MODULE</b>	1250	228	75	1511	552	430	804	1574	245	1150	131	-	-	80	2"	390	414
<b>1 KDN 32-250/257 - 2 ELECTRIC PUMP MODULES</b>	1250	228	75	1511	1504	-	1756	1574	245	1150	131	-	800	80	2"	780	804
<b>1 KDN 32-250/257 - ELECTRIC PUMP + DIESEL ENGINE DRIVEN PUMP MODULE</b>	1576	186	117	2163	-	-	2189	1700	356	1268	167	844	800	80	2"	757	781
<b>1 KDN 32-250/257 - 2 DIESEL ENGINE DRIVEN PUMP MODULES</b>	1576	186	117	2163	-	-	2189	1700	356	1268	167	844	800	80	2"	734	767

# 1 KDN 40-160/161 - UNI EN 12845 FIRE-FIGHTING PUMP SETS

Pumped liquid temperature range: from -15 °C to +70 °C - Maximum ambient temperature: from +4 °C to +40 °C



## KDN EN 12845 ELECTRIC PUMP

MODEL	POWER INPUT	JOCKEY PUMP*	P2 MAIN PUMP	P2 JOCKEY PUMP	In A	METER KIT
			kW	kW		
1 KDN 40-160/161 7,5	3x400 V ~	JET 251 T	7,5	1,85	13,4	KDN 40 EN 12845

## KDN EN 12845 DIESEL ENGINE-DRIVEN PUMP

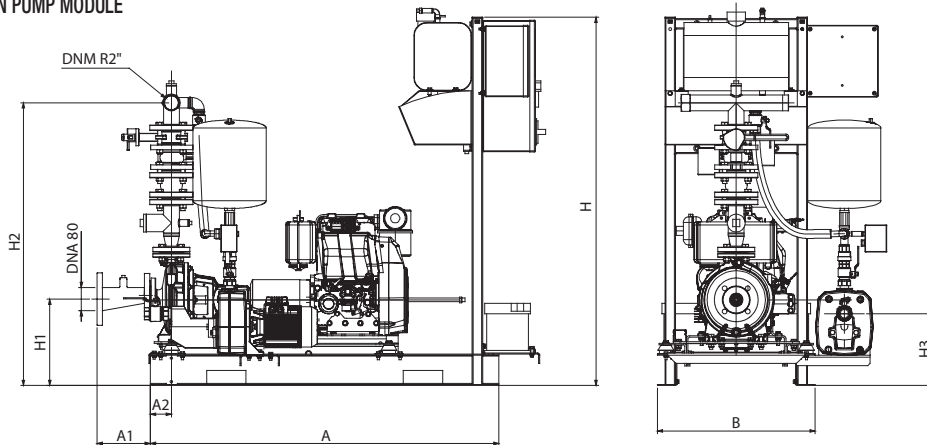
MODEL	BATTERY CHARGER POWER INPUT	JOCKEY PUMP*	** P2 DIESEL ENGINE - DRIVEN PUMP	P2 JOCKEY PUMP	METER KIT	FAN SURFACE
			kW	kW		
1 KDN 40-160/161 MD	3x230-400 V ~	JET 251 T	7,1	1,85	KDN 40 EN 12845	0,22 m²

\* Jockey pump on request.

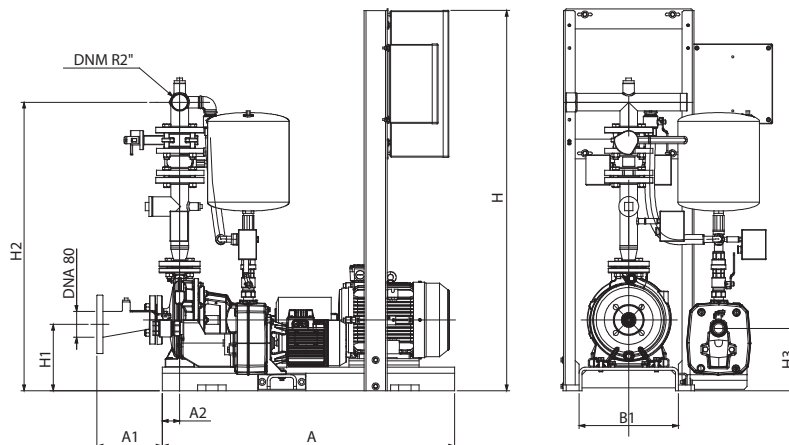
\*\* ISO 3046 continuous power The motor is capable of delivering 10 % more of the power requested by the pump.

The performance curves are based on kinematic viscosity values = 1 mm²/s and density equal to 1000 kg/m³. Curve tolerance according to ISO 9906.

### DIESEL ENGINE-DRIVEN PUMP MODULE



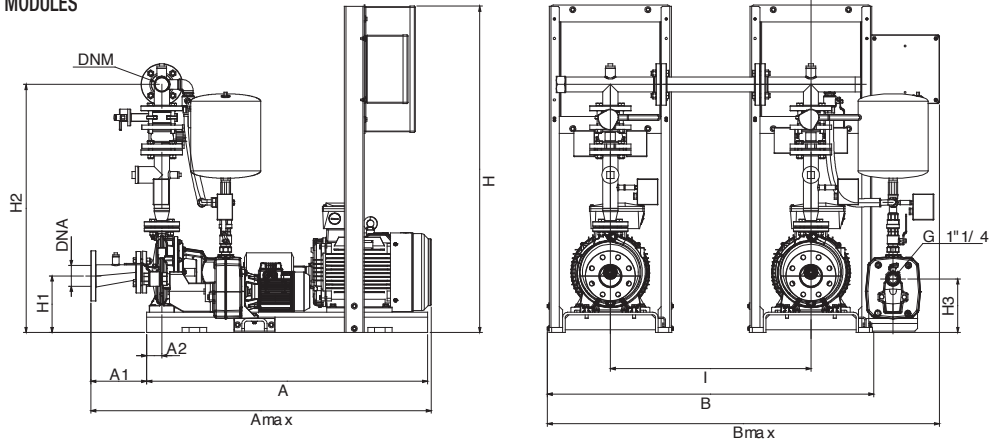
### ELECTRIC PUMP MODULE



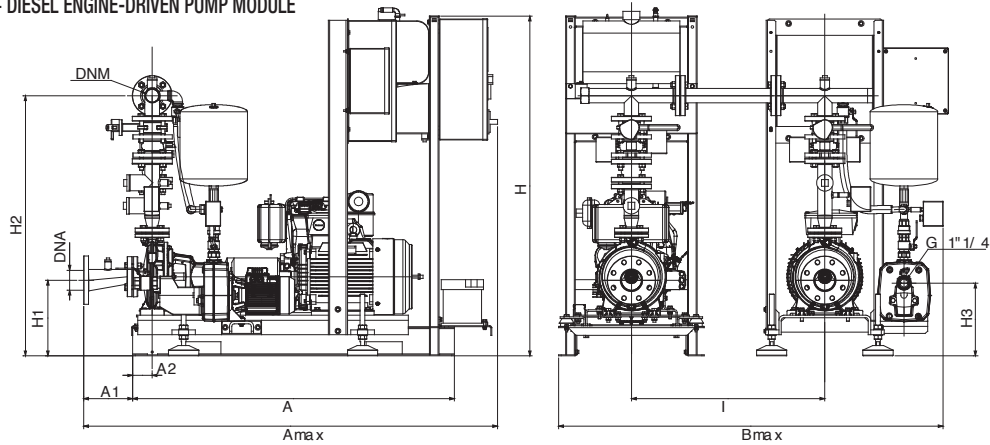
# 1 KDN 40-160/161 - UNI EN 12845 FIRE-FIGHTING PUMP SETS

FIRE-FIGHTING PUMP SETS

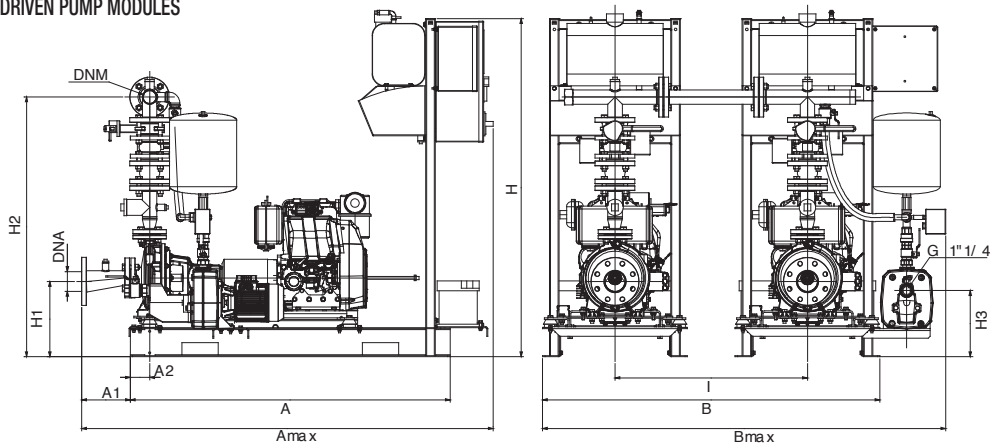
## 2 ELECTRIC PUMP MODULES



## ELECTRIC PUMP + DIESEL ENGINE-DRIVEN PUMP MODULE



## 2 DIESEL ENGINE-DRIVEN PUMP MODULES

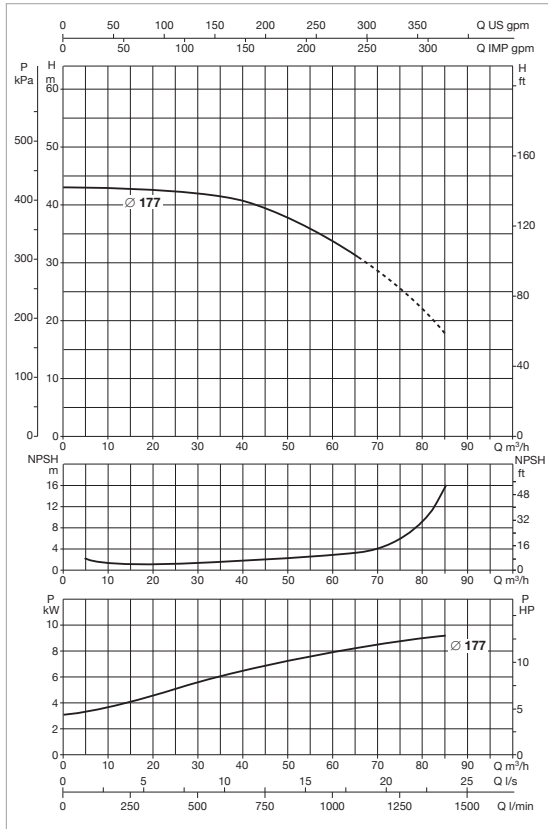


MODEL	A	A1	A2	A max	B	B1	B max	H	H1	H2	H3	I	DNA	DNM	WEIGHT without jockey pump kg	WEIGHT with jockey pump kg
<b>1 KDN 40-160/161 - DIESEL ENGINE DRIVEN PUMP MODULE</b>	1330	207	81	1715	602	-	876	1525	280	1219	274	-	100	2" 1/2	395	435
<b>1 KDN 40-160/161 - ELECTRIC PUMP MODULE</b>	1000	237	60	1237	462	340	723	1421	167	1124	213	-	100	2" 1/2	275	310
<b>1 KDN 40-160/161 - 2 ELECTRIC PUMP MODULES</b>	1000	240	60	1240	1324	-	1585	1421	167	1124	213	800	100	2" 1/2	550	585
<b>1 KDN 40-160/161 - ELECTRIC PUMP + DIESEL ENGINE DRIVEN PUMP MODULE</b>	1330	207	81	1715	1604	-	1878	1525	280	1219	274	800	100	2" 1/2	670	705
<b>1 KDN 40-160/161 - 2 DIESEL ENGINE DRIVEN PUMP MODULES</b>	1330	207	81	1715	1604	-	1878	1525	280	1219	274	800	100	2" 1/2	790	830



# 1 KDN 40-160/177 - UNI EN 12845 FIRE-FIGHTING PUMP SETS

Pumped liquid temperature range: from -15 °C to +70 °C - Maximum ambient temperature: from +4 °C to +40 °C



## KDN EN 12845 ELECTRIC PUMP

MODEL	POWER INPUT	JOCKEY PUMP*	P2 MAIN PUMP	P2 JOCKEY PUMP	In A	METER KIT
			kW	kW		
1 KDN 40-160/177 11	3x400 V ~	JET 251 T	11	1,85	19,4	KDN 40 EN 12845

## KDN EN 12845 DIESEL ENGINE-DRIVEN PUMP

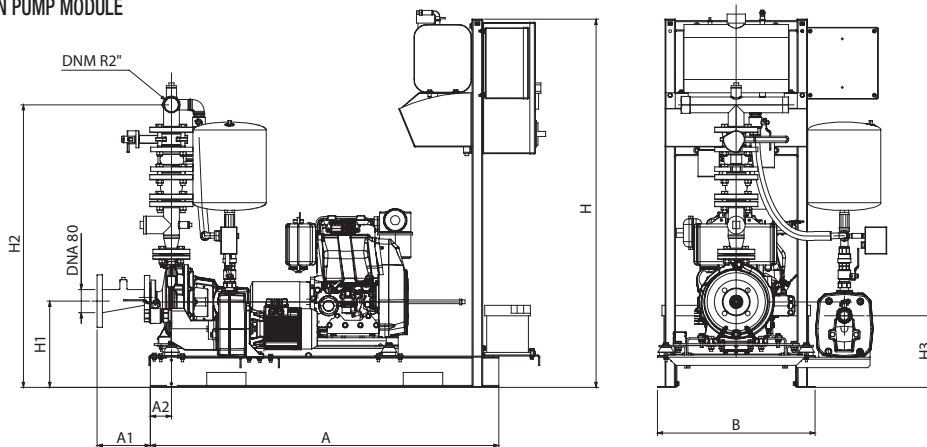
MODEL	BATTERY CHARGER POWER INPUT	JOCKEY PUMP*	** P2 DIESEL ENGINE - DRIVEN PUMP	P2 JOCKEY PUMP	METER KIT	FAN SURFACE
			kW	kW		
1 KDN 40-160/177 MD	3x230-400 V ~	JET 251 T	11	1,85	KDN 40 EN 12845	0,22 m <sup>2</sup>

\* Jockey pump on request.

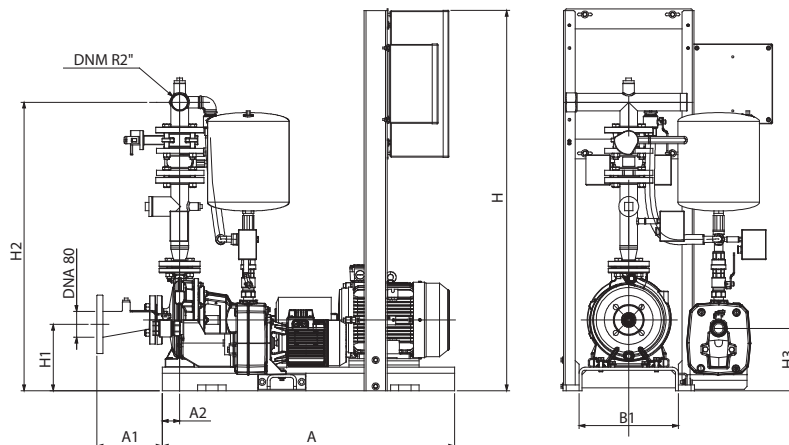
\*\* ISO 3046 continuous power The motor is capable of delivering 10 % more of the power requested by the pump.

The performance curves are based on kinematic viscosity values = 1 mm<sup>2</sup>/s and density equal to 1000 kg/m<sup>3</sup>. Curve tolerance according to ISO 9906.

### DIESEL ENGINE-DRIVEN PUMP MODULE



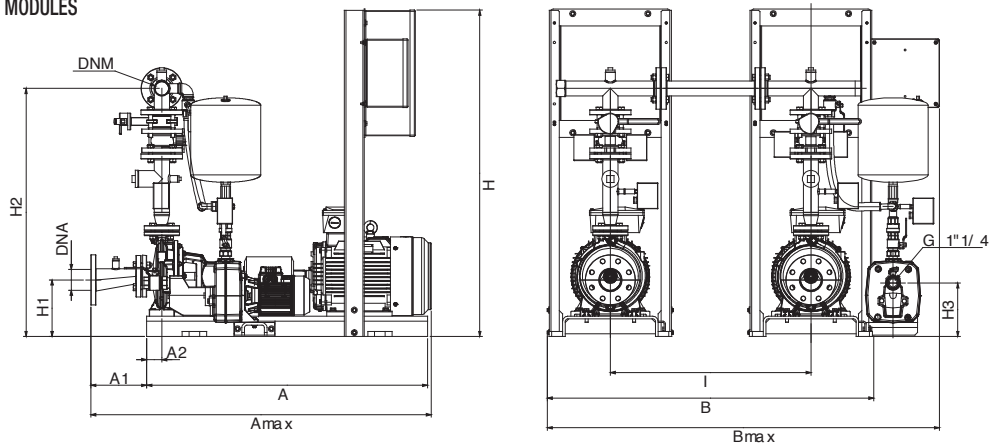
### ELECTRIC PUMP MODULE



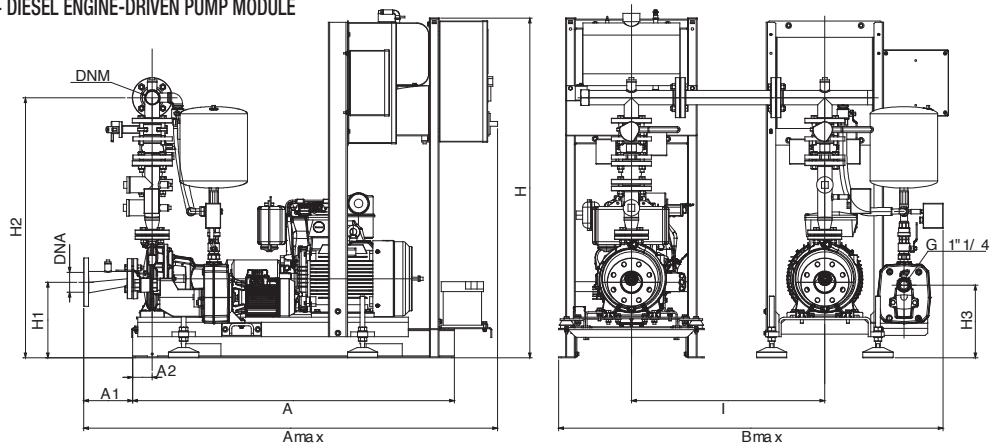
# 1 KDN 40-160/177 - UNI EN 12845 FIRE-FIGHTING PUMP SETS

FIRE-FIGHTING PUMP SETS

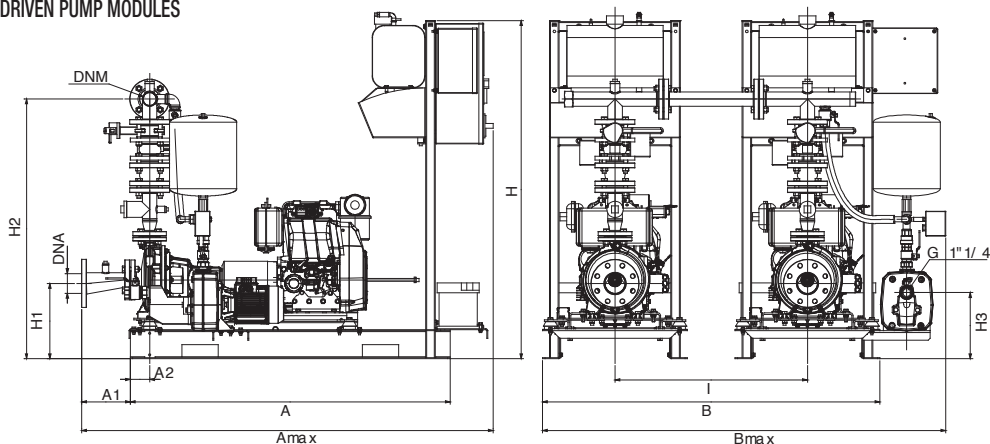
## 2 ELECTRIC PUMP MODULES



## ELECTRIC PUMP + DIESEL ENGINE-DRIVEN PUMP MODULE



## 2 DIESEL ENGINE-DRIVEN PUMP MODULES

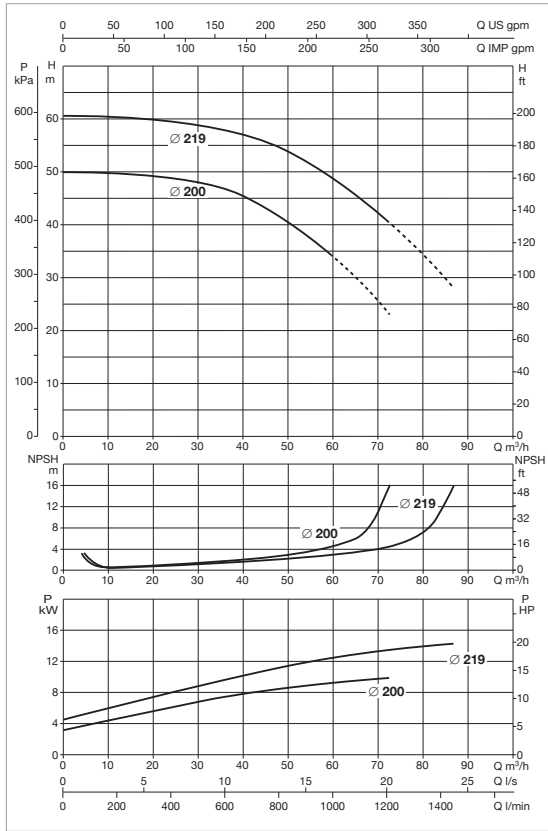


MODEL	A	A1	A2	A max	B	B1	B max	H	H1	H2	H3	I	DNA	DNM	WEIGHT without jockey pump kg	WEIGHT with jockey pump kg
1 KDN 40-160/177 - DIESEL ENGINE DRIVEN PUMP MODULE	1330	207	81	1715	602	-	876	1525	280	1219	274	-	100	2" 1/2	405	445
1 KDN 40-160/177 - ELECTRIC PUMP MODULE	1120	247	60	1362	502	380	763	1421	223	1157	213	-	100	2" 1/2	403	415
1 KDN 40-160/177 - 2 ELECTRIC PUMP MODULES	1120	247	60	1382	1404	-	1665	1421	223	1157	213	800	100	2" 1/2	806	818
1 KDN 40-160/177 - ELECTRIC PUMP + DIESEL ENGINE DRIVEN PUMP MODULE	1330	207	81	1715	1604	-	1878	1525	280	1219	274	800	100	2" 1/2	808	820
1 KDN 40-160/177 - 2 DIESEL ENGINE DRIVEN PUMP MODULES	1330	207	81	1715	1604	-	1878	1525	280	1219	274	800	100	2" 1/2	810	850



# 1 KDN 40-200/200-219 - UNI EN 12845 FIRE-FIGHTING PUMP SETS

Pumped liquid temperature range: from -15 °C to +70 °C - Maximum ambient temperature: from +4 °C to +40 °C



## KDN EN 12845 ELECTRIC PUMP

MODEL	POWER INPUT	JOCKEY PUMP*	P2 MAIN PUMP	P2 JOCKEY PUMP	In A	METER KIT
			kW	kW		
1 KDN 40-200/200 11	3x400 V ~	JET 251 T	11	1,85	13,4	KDN 40 EN 12845
1 KDN 40-200/219 15	3x400 V ~	JET 251 T	15	1,85	26,5	KDN 40 EN 12845

## KDN EN 12845 DIESEL ENGINE-DRIVEN PUMP

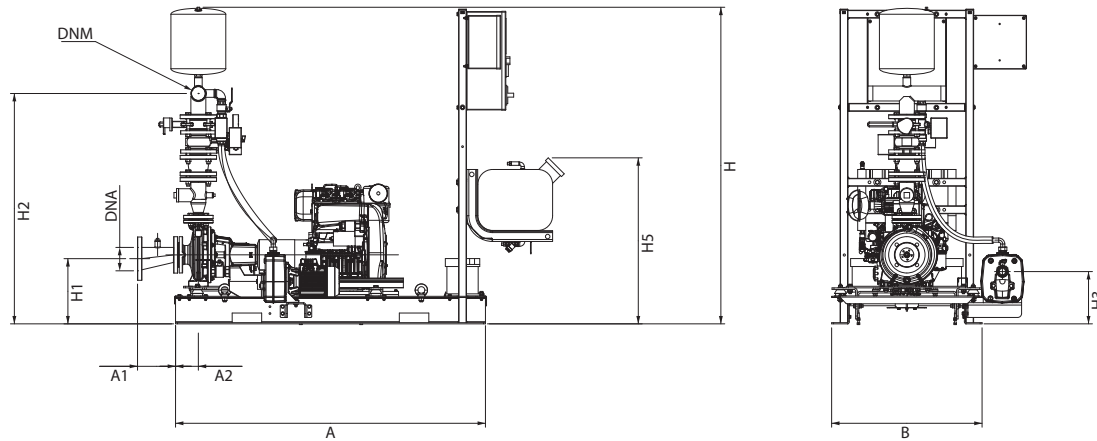
MODEL	BATTERY CHARGER POWER INPUT	JOCKEY PUMP*	** P2 DIESEL ENGINE - DRIVEN PUMP	P2 JOCKEY PUMP	METER KIT	FAN SURFACE
			kW	kW		
1 KDN 40-200/200 MD	3x230-400 V ~	JET 251 T	11	1,85	KDN 40 EN 12845	0,22 m²
1 KDN 40-200/219 MD	3x230-400 V ~	JET 251 T	15	1,85	KDN 40 EN 12845	0,22 m²

\* Jockey pump on request.

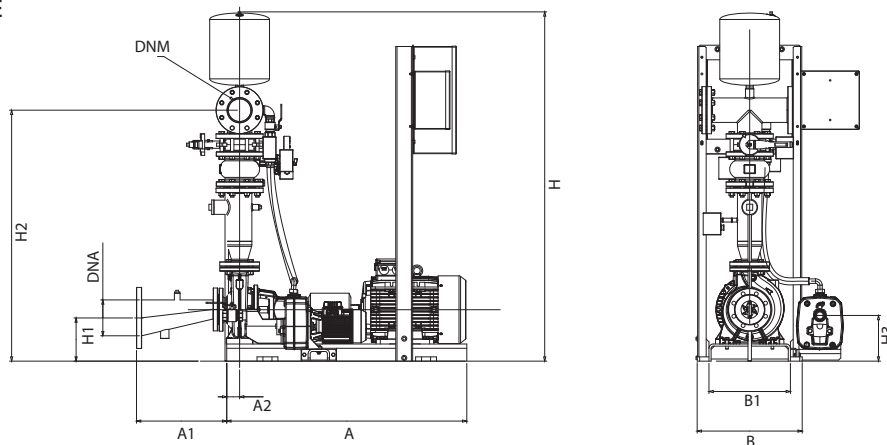
\*\* ISO 3046 continuous power The motor is capable of delivering 10 % more of the power requested by the pump.

The performance curves are based on kinematic viscosity values = 1 mm²/s and density equal to 1000 kg/m³. Curve tolerance according to ISO 9906.

### DIESEL ENGINE-DRIVEN PUMP MODULE



### ELECTRIC PUMP MODULE

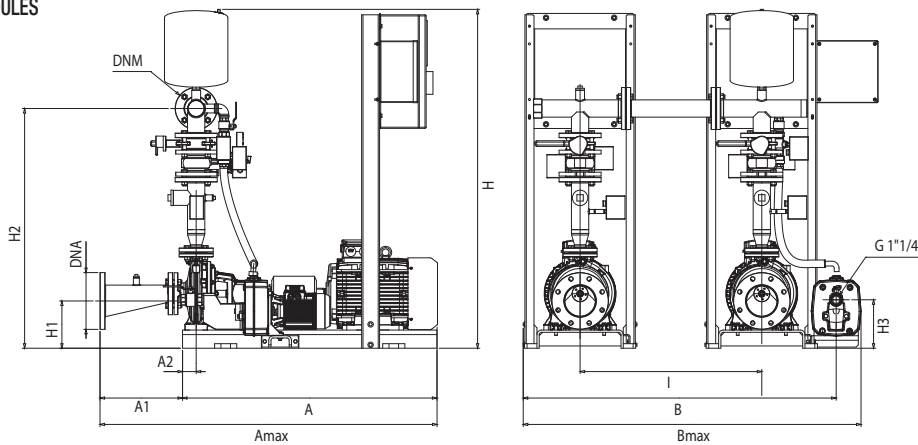


The dashed components are not included in the standard supply.

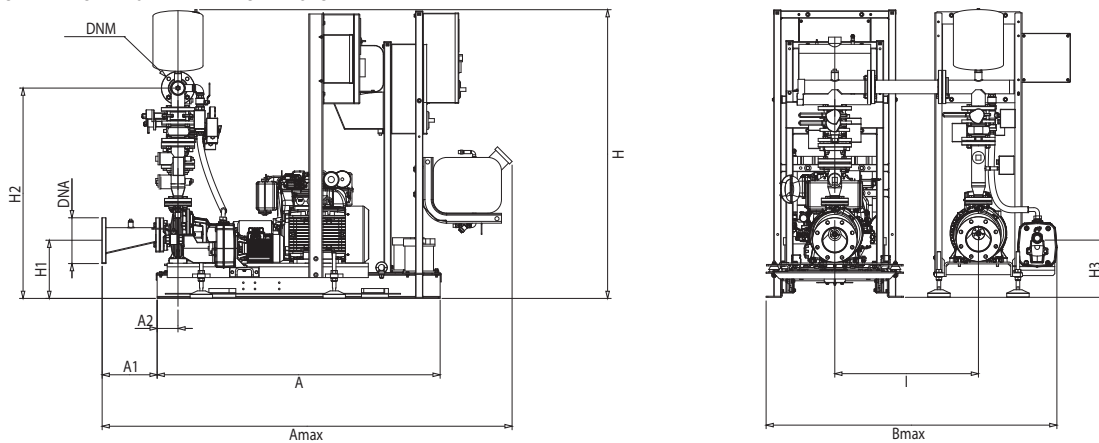
# 1 KDN 40-200/200-219 - UNI EN 12845 FIRE-FIGHTING PUMP SETS

FIRE-FIGHTING PUMP SETS

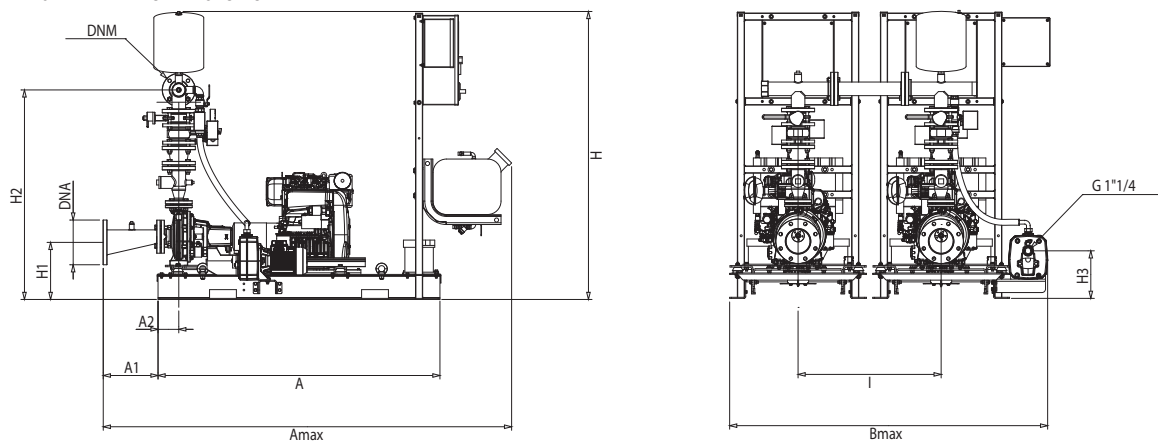
## 2 ELECTRIC PUMP MODULES



## ELECTRIC PUMP + DIESEL ENGINE-DRIVEN PUMP MODULE



## 2 DIESEL ENGINE-DRIVEN PUMP MODULES



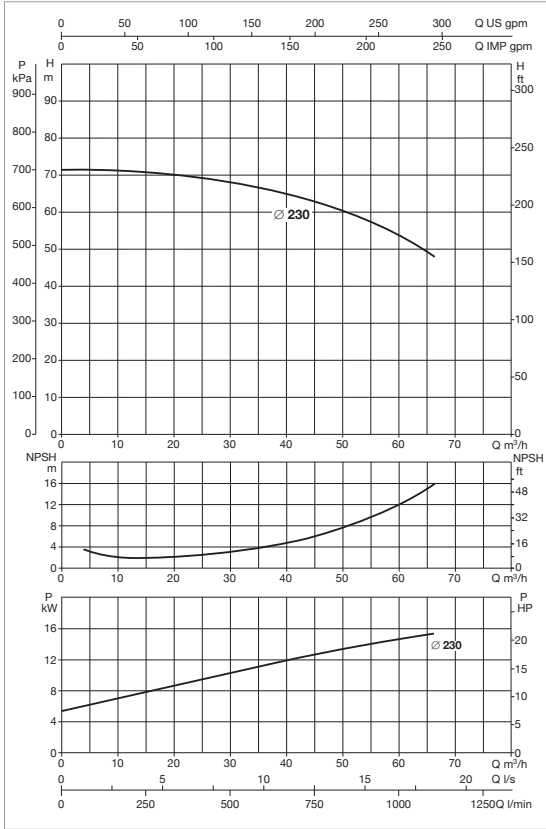
The dashed components are not included in the standard supply.

MODEL	A	A1	A2	A max	B	B1	B max	H	H1	H2	H3	H5	I	DNA	DNM	WEIGHT without jockey pump kg	WEIGHT with jockey pump kg
<b>1 KDN 40-200/200-219 - DIESEL ENGINE DRIVEN PUMP MODULE</b>	1576	193	116	2170	765	-	991	1730	322	1291	266	844	-	100	2" 1/2	443	475
<b>1 KDN 40-200/200-219 - ELECTRIC PUMP MODULE</b>	1120	247	60	1382	502	430	757	1588	221	1175	213	-	-	100	2" 1/2	425	455
<b>1 KDN 40-200/200-219 - 2 ELECTRIC PUMP MODULES</b>	1120	247	60	1382	1404	-	1659	1588	221	1175	213	-	800	100	2" 1/2	850	880
<b>1 KDN 40-200/200-219 - ELECTRIC PUMP + DIESEL ENGINE DRIVEN PUMP MODULE</b>	1576	193	116	2170	1930	-	2156	1730	322	1291	266	844	800	100	2" 1/2	868	898
<b>1 KDN 40-200/200-219 - 2 DIESEL ENGINE DRIVEN PUMP MODULES</b>	1576	193	116	2170	1930	-	2156	1730	322	1291	266	844	800	100	2" 1/2	886	918



# 1 KDN 40-250/230 - UNI EN 12845 FIRE-FIGHTING PUMP SETS

Pumped liquid temperature range: from -15 °C to +70 °C - Maximum ambient temperature: from +4 °C to +40 °C



## KDN EN 12845 ELECTRIC PUMP

MODEL	POWER INPUT	JOCKEY PUMP*	P2 MAIN PUMP	P2 JOCKEY PUMP	In A	METER KIT
			kW	kW		
1 KDN 40-250/230 15	3x400 V ~	JET 251 T	15	1,85	26,5	KDN 40 EN 12845

## KDN EN 12845 DIESEL ENGINE-DRIVEN PUMP

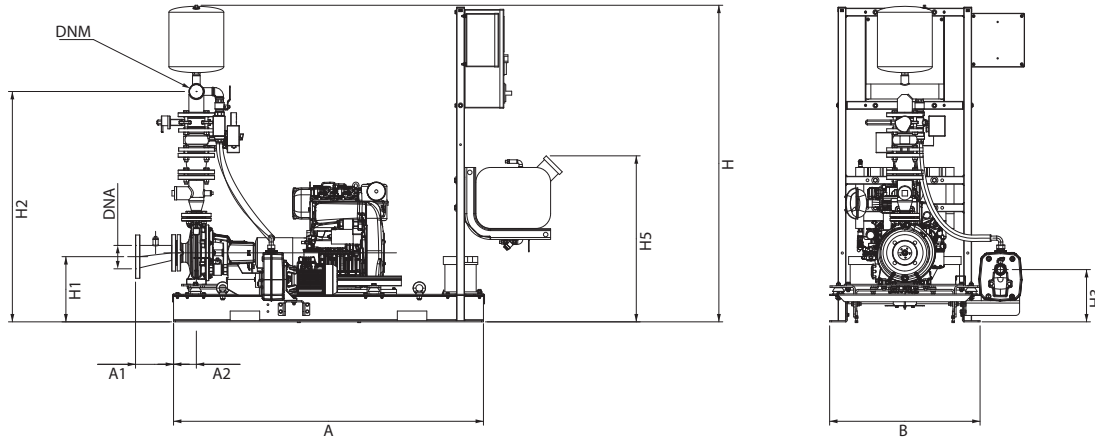
MODEL	BATTERY CHARGER POWER INPUT	JOCKEY PUMP*	** P2 DIESEL ENGINE - DRIVEN PUMP	P2 JOCKEY PUMP	METER KIT	FAN SURFACE
			kW	kW		
1 KDN 40-250/230 MD	3x230-400 V ~	JET 251 T	19	1,85	KDN 40 EN 12845	0,22 m <sup>2</sup>

\* Jockey pump on request.

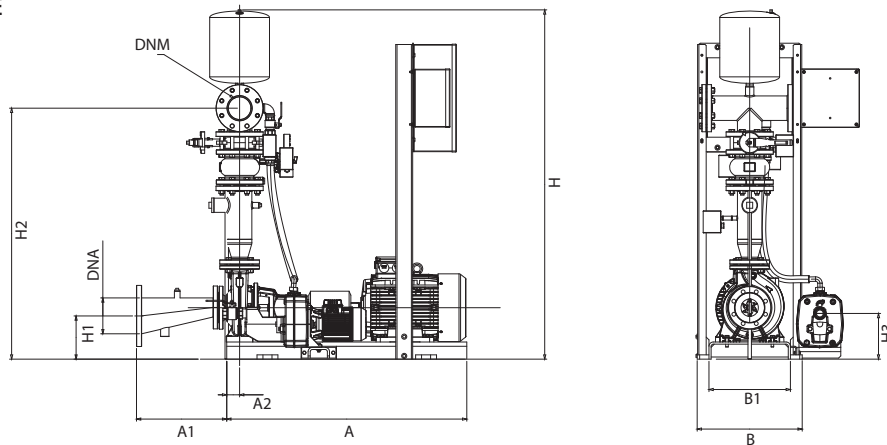
\*\* ISO 3046 continuous power The motor is capable of delivering 10 % more of the power requested by the pump.

The performance curves are based on kinematic viscosity values = 1 mm<sup>2</sup>/s and density equal to 1000 kg/m<sup>3</sup>. Curve tolerance according to ISO 9906.

### DIESEL ENGINE-DRIVEN PUMP MODULE



### ELECTRIC PUMP MODULE



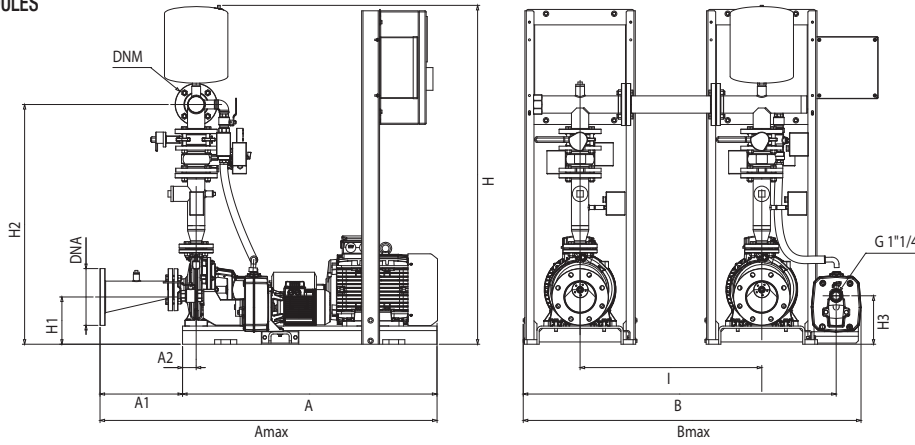
The dashed components are not included in the standard supply.



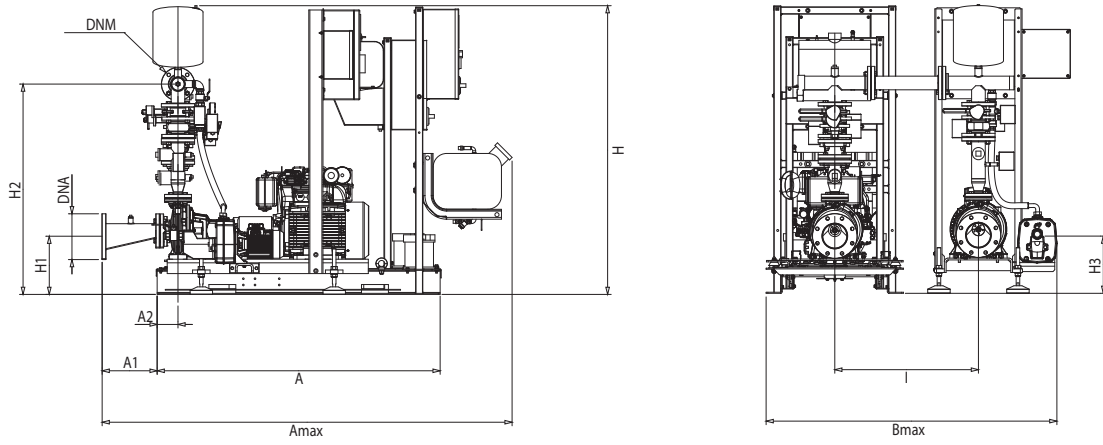
# 1 KDN 40-250/230 - UNI EN 12845 FIRE-FIGHTING PUMP SETS

FIRE-FIGHTING PUMP SETS

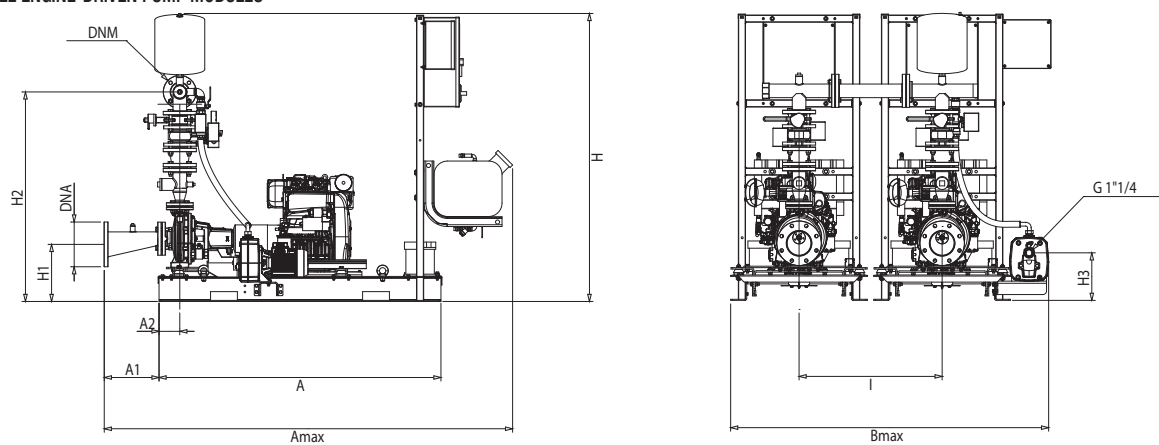
## 2 ELECTRIC PUMP MODULES



## ELECTRIC PUMP + DIESEL ENGINE-DRIVEN PUMP MODULE



## 2 DIESEL ENGINE-DRIVEN PUMP MODULES



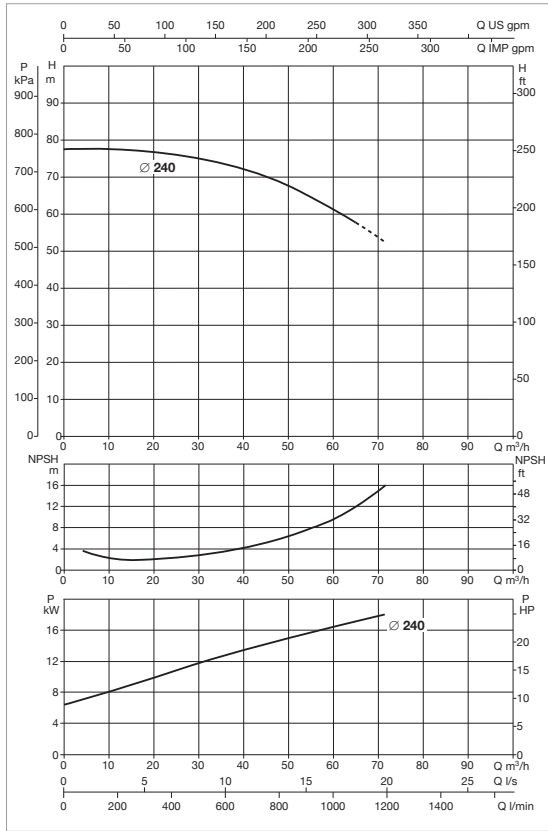
The dashed components are not included in the standard supply.

MODEL	A	A1	A2	A max	B	B1	B max	H	H1	H2	H3	H5	I	DNA	DNM	WEIGHT without jockey pump kg	WEIGHT with jockey pump kg
<b>1 KDN 40-250/230 - DIESEL ENGINE DRIVEN PUMP MODULE</b>	1576	193	116	2170	978	-	991	1795	352	1356	266	844	-	100	2" 1/2	502	558
<b>1 KDN 40-250/230 - ELECTRIC PUMP MODULE</b>	1250	232	75	1494	542	430	812	1675	241	1240	213	-	-	100	2" 1/2	447	477
<b>1 KDN 40-250/230 - 2 ELECTRIC PUMP MODULES</b>	1250	232	75	1494	1484	-	1754	1675	241	1240	213	-	800	100	2" 1/2	894	924
<b>1 KDN 40-250/230 - ELECTRIC PUMP + DIESEL ENGINE DRIVEN PUMP MODULE</b>	1576	193	116	2170	2143	-	2369	1795	352	1356	266	844	800	100	2" 1/2	949	979
<b>1 KDN 40-250/230 - 2 DIESEL ENGINE DRIVEN PUMP MODULES</b>	1576	193	116	2170	2143	-	2369	1795	352	1356	266	844	800	100	2" 1/2	1004	1060



# 1 KDN 40-250/240 - UNI EN 12845 FIRE-FIGHTING PUMP SETS

Pumped liquid temperature range: from -15 °C to +70 °C - Maximum ambient temperature: from +4 °C to +40 °C



## KDN EN 12845 ELECTRIC PUMP

MODEL	POWER INPUT	JOCKEY PUMP*	P2 MAIN PUMP	P2 JOCKEY PUMP	In A	METER KIT
			kW	kW		
1 KDN 40-250/240 18,5	3x400 V ~	JET 251 T	18,5	1,85	32	KDN 40 EN 12845

## KDN EN 12845 DIESEL ENGINE-DRIVEN PUMP

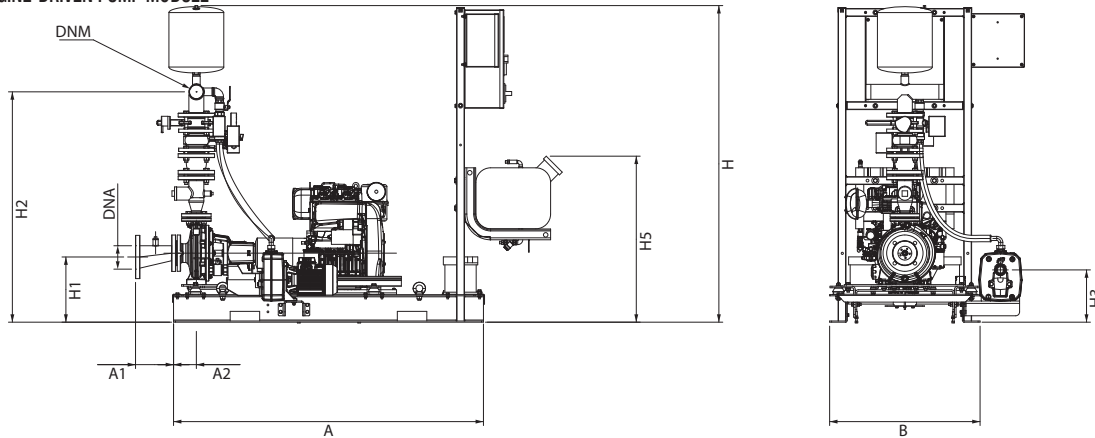
MODEL	BATTERY CHARGER POWER INPUT	JOCKEY PUMP*	** P2 DIESEL ENGINE - DRIVEN PUMP	P2 JOCKEY PUMP	METER KIT	FAN SURFACE
			kW	kW		
1 KDN 40-250/240 MD	3x230-400 V ~	JET 251 T	19	1,85	KDN 40 EN 12845	0,22 m²

\* Jockey pump on request.

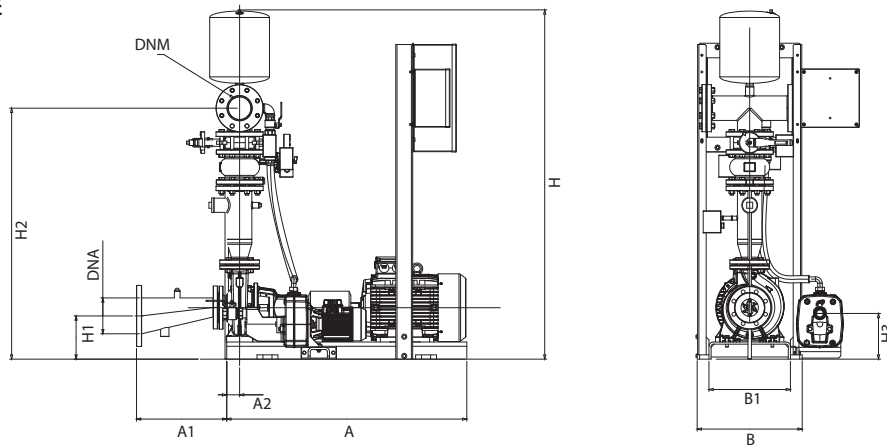
\*\* ISO 3046 continuous power The motor is capable of delivering 10 % more of the power requested by the pump.

The performance curves are based on kinematic viscosity values = 1 mm²/s and density equal to 1000 kg/m³. Curve tolerance according to ISO 9906.

### DIESEL ENGINE-DRIVEN PUMP MODULE



### ELECTRIC PUMP MODULE

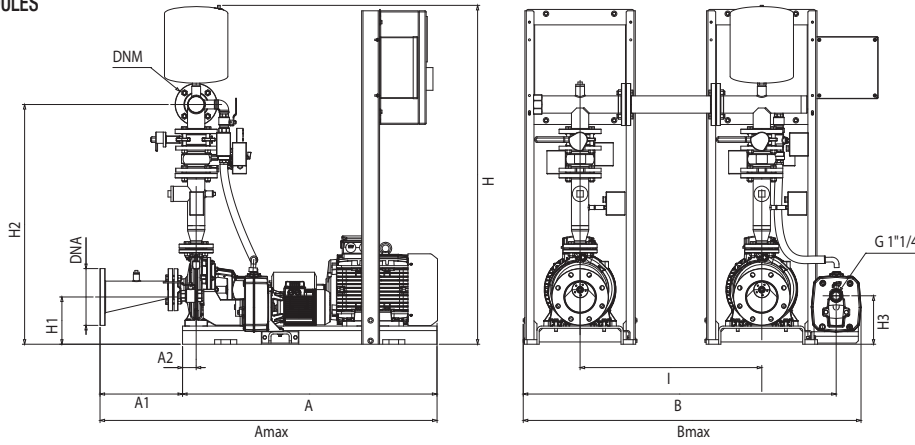


The dashed components are not included in the standard supply.

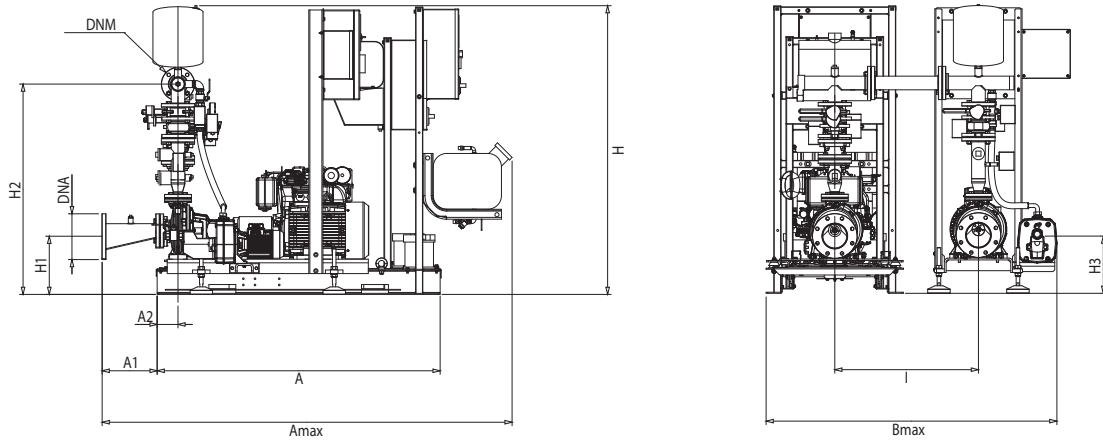
# 1 KDN 40-250/240 - UNI EN 12845 FIRE-FIGHTING PUMP SETS

FIRE-FIGHTING PUMP SETS

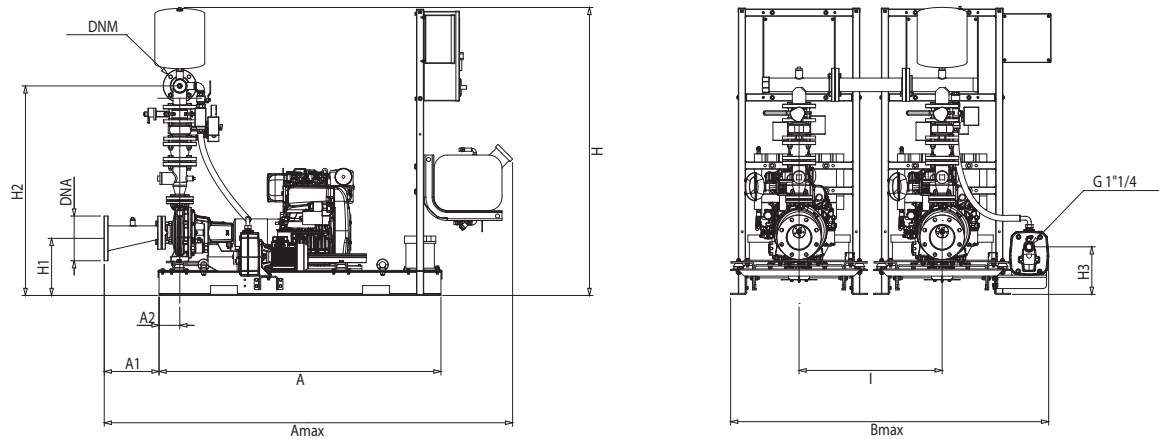
## 2 ELECTRIC PUMP MODULES



## ELECTRIC PUMP + DIESEL ENGINE-DRIVEN PUMP MODULE



## 2 DIESEL ENGINE-DRIVEN PUMP MODULES



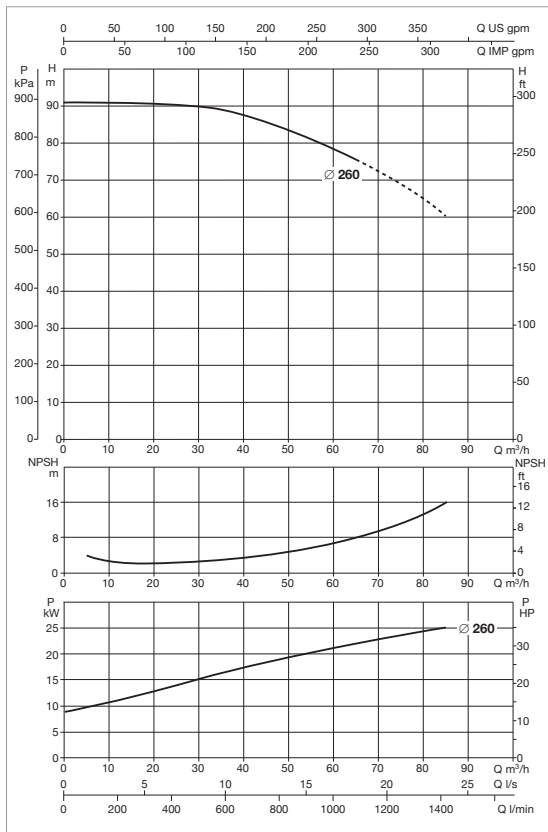
The dashed components are not included in the standard supply.

MODEL	A	A1	A2	A max	B	B1	B max	H	H1	H2	H3	H5	I	DNA	DNM	WEIGHT without jockey pump kg	WEIGHT with jockey pump kg
<b>1 KDN 40-250/240 - DIESEL ENGINE DRIVEN PUMP MODULE</b>	1576	193	116	2170	978	-	991	1795	352	1356	266	844	-	100	2" 1/2	539	570
<b>1 KDN 40-250/240 - ELECTRIC PUMP MODULE</b>	1250	232	75	1494	542	430	812	1682	241	1240	213	-	-	100	2" 1/2	467	497
<b>1 KDN 40-250/240 - 2 ELECTRIC PUMP MODULES</b>	1250	232	75	1494	1484	-	1754	1682	241	1240	213	-	800	100	2" 1/2	934	964
<b>1 KDN 40-250/240 - ELECTRIC PUMP + DIESEL ENGINE DRIVEN PUMP MODULE</b>	1576	193	116	2170	2143	-	2369	1795	352	1356	266	844	800	100	2" 1/2	1006	1036
<b>1 KDN 40-250/240 - 2 DIESEL ENGINE DRIVEN PUMP MODULES</b>	1576	193	116	2170	2143	-	2369	1795	352	1356	266	844	800	100	2" 1/2	1078	1109



# 1 KDN 40-250/260 - UNI EN 12845 FIRE-FIGHTING PUMP SETS

Pumped liquid temperature range: from -15 °C to +70 °C - Maximum ambient temperature: from +4 °C to +40 °C



## KDN EN 12845 ELECTRIC PUMP

MODEL	POWER INPUT	JOCKEY PUMP*	P2 MAIN PUMP	P2 JOCKEY PUMP	In A	METER KIT
			kW	kW		
1 KDN 40-250/260 30	3x400 V ~	JET 251 T	30	1,85	52	KDN 40 EN 12845

## KDN EN 12845 DIESEL ENGINE-DRIVEN PUMP

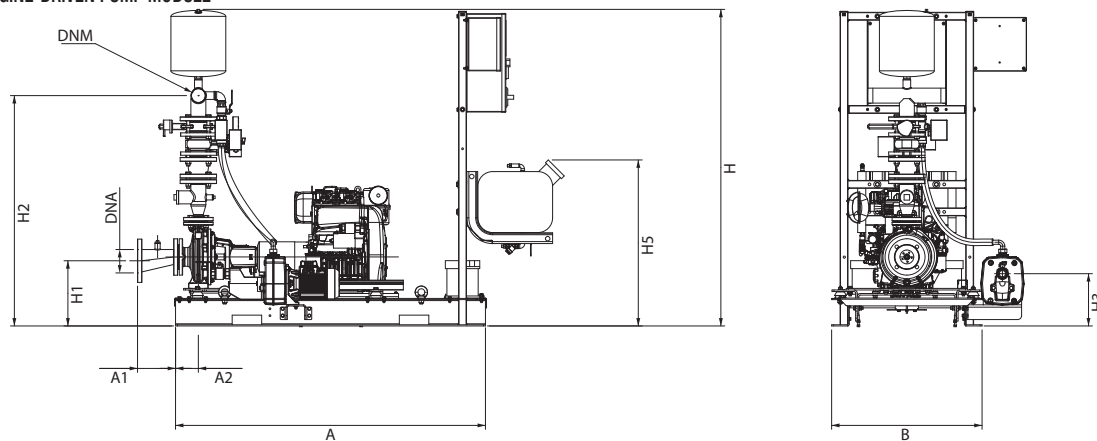
MODEL	BATTERY CHARGER POWER INPUT	JOCKEY PUMP*	** P2 DIESEL ENGINE - DRIVEN PUMP	P2 JOCKEY PUMP	METER KIT	FAN SURFACE
			kW	kW		
1 KDN 40-250/260 MD	3x230-400 V ~	JET 251 T	26	1,85	KDN 40 EN 12845	0,22 m²

\* Jockey pump on request.

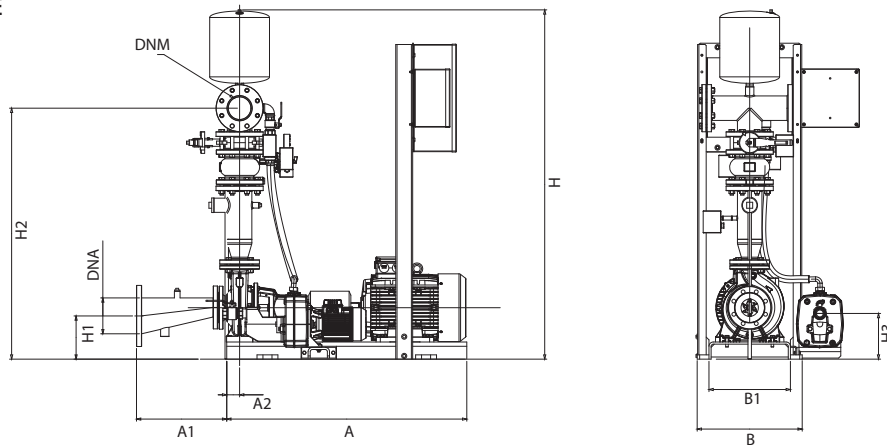
\*\* ISO 3046 continuous power The motor is capable of delivering 10 % more of the power requested by the pump.

The performance curves are based on kinematic viscosity values = 1 mm²/s and density equal to 1000 kg/m³. Curve tolerance according to ISO 9906.

### DIESEL ENGINE-DRIVEN PUMP MODULE



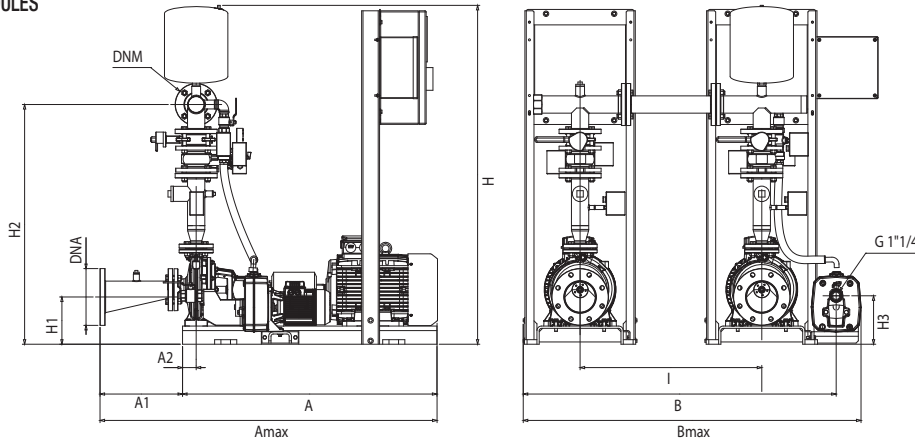
### ELECTRIC PUMP MODULE



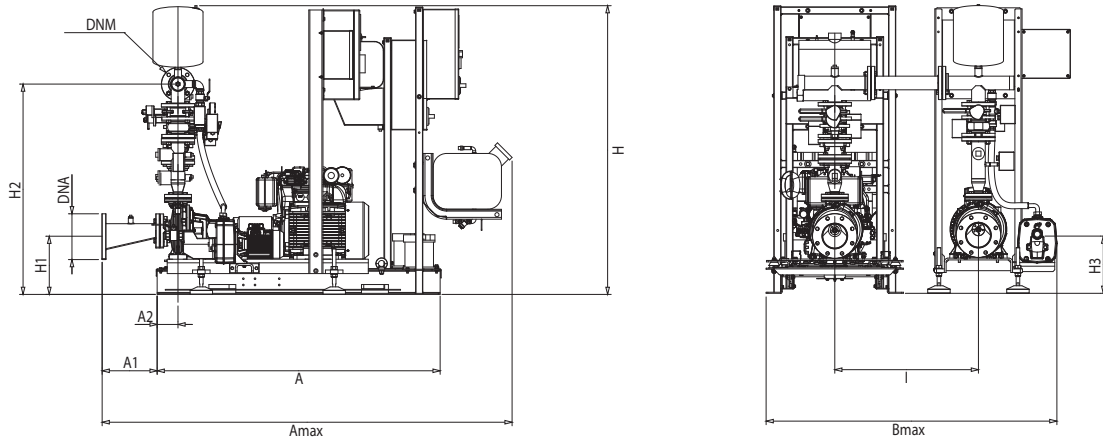
The dashed components are not included in the standard supply.

# 1 KDN 40-250/260 - UNI EN 12845 FIRE-FIGHTING PUMP SETS

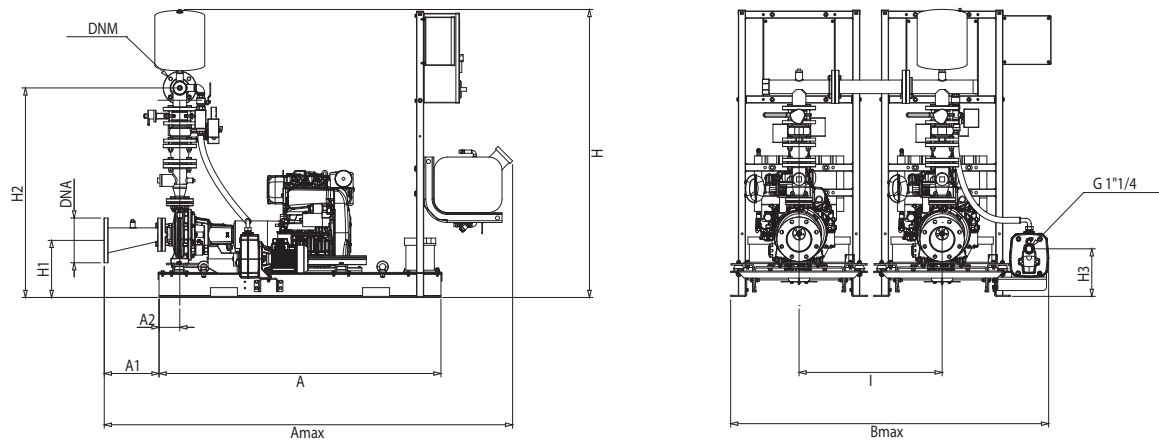
## 2 ELECTRIC PUMP MODULES



## ELECTRIC PUMP + DIESEL ENGINE-DRIVEN PUMP MODULE



## 2 DIESEL ENGINE-DRIVEN PUMP MODULES

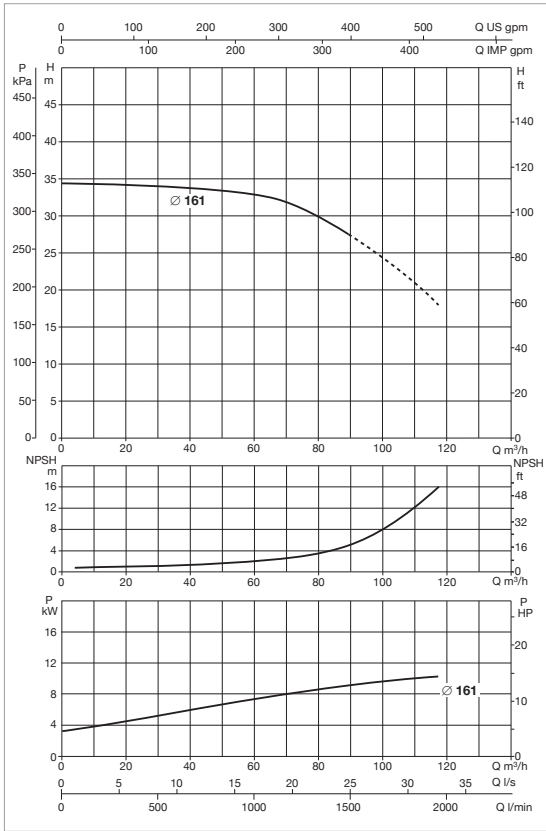


The dashed components are not included in the standard supply.

MODEL	A	A1	A2	A max	B	B1	B max	H	H1	H2	H3	H5	I	DNA	DNM	WEIGHT without jockey pump kg	WEIGHT with jockey pump kg
<b>1 KDN 40-250/260 - DIESEL ENGINE DRIVEN PUMP MODULE</b>	1576	193	116	2170	978	-	1033	1795	352	1356	266	844	-	100	2" 1/2	585	615
<b>1 KDN 40-250/260 - ELECTRIC PUMP MODULE</b>	1400	232	75	1632	550	480	550	1752	281	1280	213	-	-	100	2" 1/2	695	695
<b>1 KDN 40-250/260 - 2 ELECTRIC PUMP MODULES</b>	1400	232	75	1632	1500	-	1500	1752	281	1280	213	-	800	100	2" 1/2	1390	1390
<b>1 KDN 40-250/260 - ELECTRIC PUMP + DIESEL ENGINE DRIVEN PUMP MODULE</b>	1576	193	116	2170	2356	-	2411	1795	352	1356	266	844	800	100	2" 1/2	1280	1280
<b>1 KDN 40-250/260 - 2 DIESEL ENGINE DRIVEN PUMP MODULES</b>	1576	193	116	2170	2356	-	2411	1795	352	1356	266	844	800	100	2" 1/2	1170	1200

# 1 KDN 50-160/161 - UNI EN 12845 FIRE-FIGHTING PUMP SETS

Pumped liquid temperature range: from -15 °C to +70 °C - Maximum ambient temperature: from +4 °C to +40 °C



## KDN EN 12845 ELECTRIC PUMP

MODEL	POWER INPUT	JOCKEY PUMP*	P2 MAIN PUMP	P2 JOCKEY PUMP	In A	METER KIT
			kW	kW		
1 KDN 50-160/161 11	3x400 V ~	JET 251 T	11	1,85	19,4	KDN 50 EN 12845

## KDN EN 12845 DIESEL ENGINE-DRIVEN PUMP

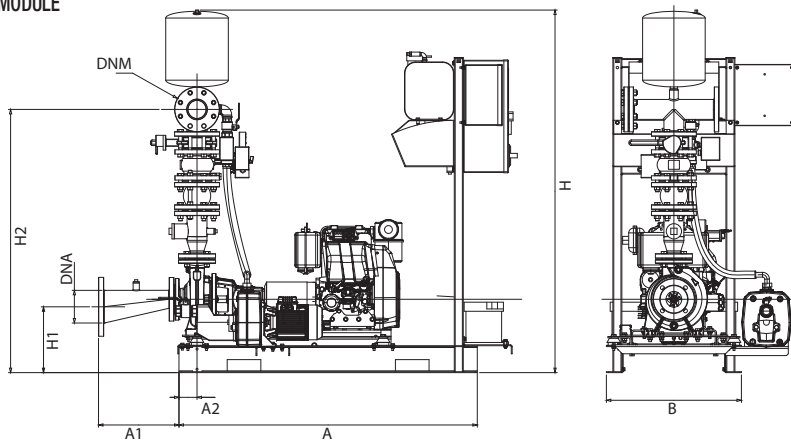
MODEL	BATTERY CHARGER POWER INPUT	JOCKEY PUMP*	** P2 DIESEL ENGINE - DRIVEN PUMP	P2 JOCKEY PUMP	METER KIT	FAN SURFACE
			kW	kW		
1 KDN 50-160/161 MD	3x230-400 V ~	JET 251 T	11	1,85	KDN 50 EN 12845	0,22 m²

\* Jockey pump on request.

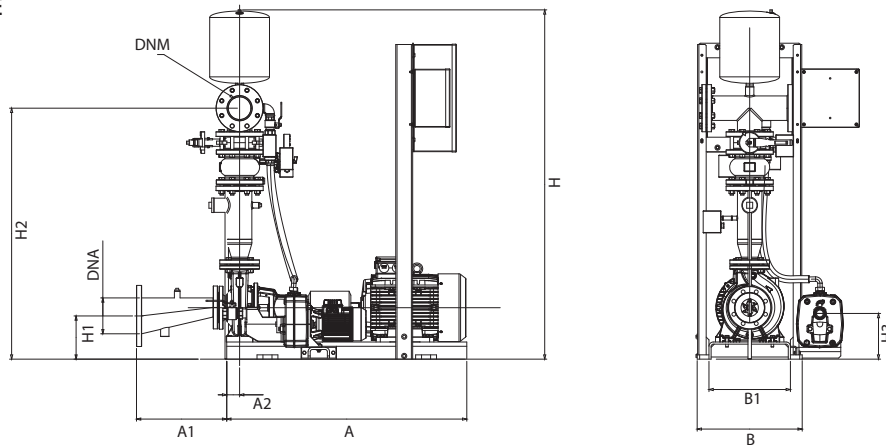
\*\* ISO 3046 continuous power The motor is capable of delivering 10 % more of the power requested by the pump.

The performance curves are based on kinematic viscosity values = 1 mm²/s and density equal to 1000 kg/m³. Curve tolerance according to ISO 9906.

### DIESEL ENGINE-DRIVEN PUMP MODULE



### ELECTRIC PUMP MODULE

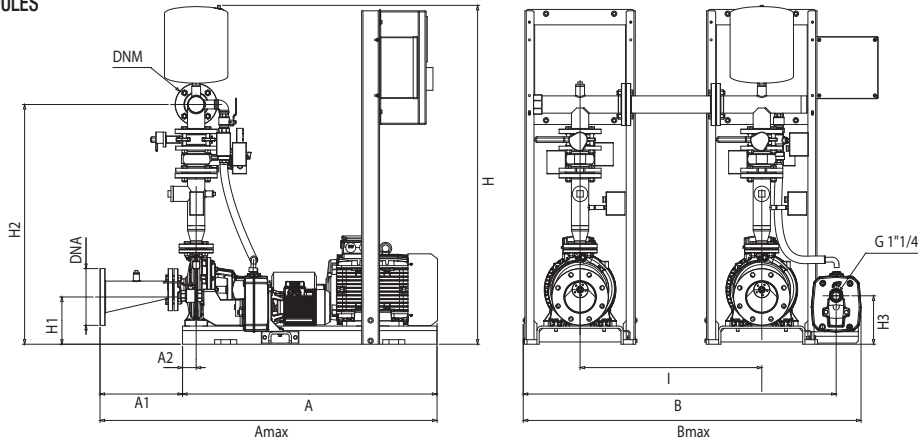


The dashed components are not included in the standard supply.

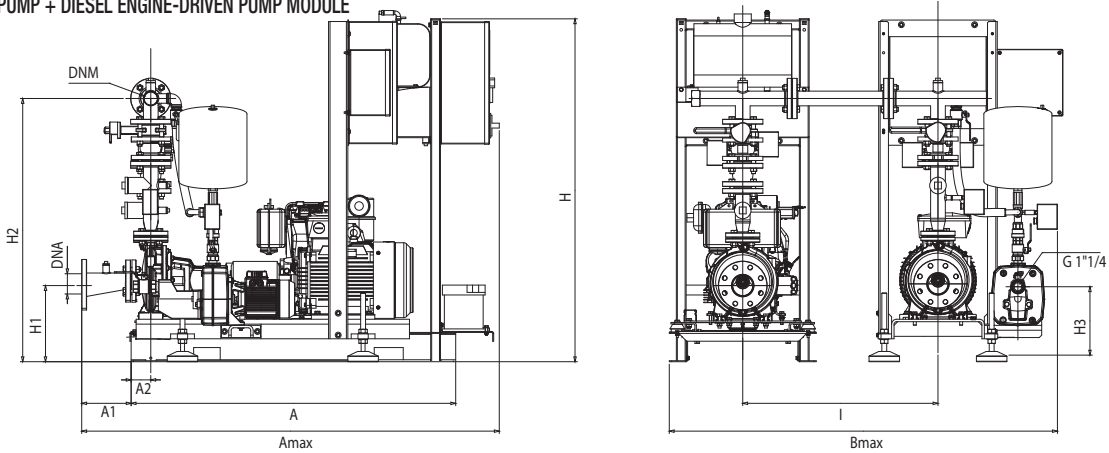
# 1 KDN 50-160/161 - UNI EN 12845 FIRE-FIGHTING PUMP SETS

FIRE-FIGHTING PUMP SETS

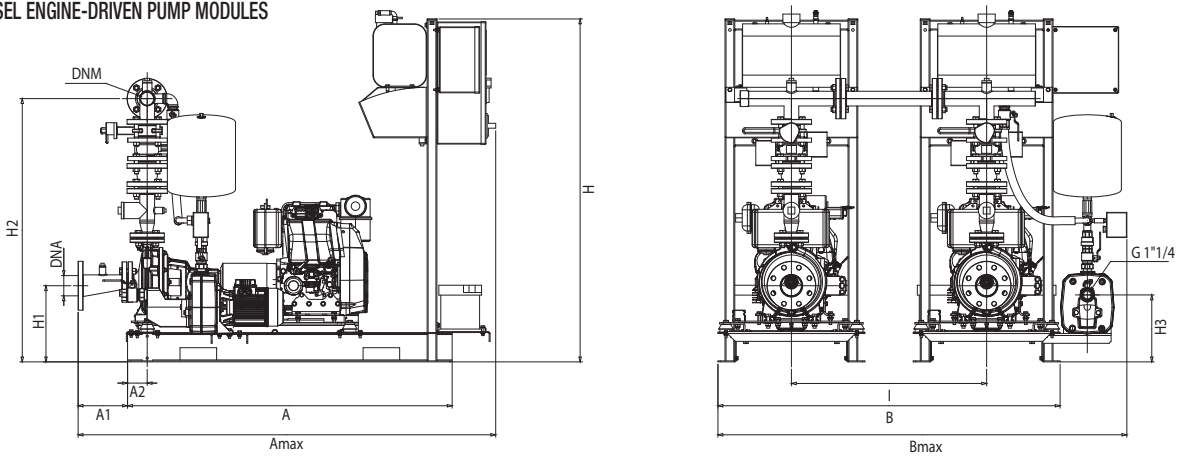
## 2 ELECTRIC PUMP MODULES



## ELECTRIC PUMP + DIESEL ENGINE-DRIVEN PUMP MODULE



## 2 DIESEL ENGINE-DRIVEN PUMP MODULES

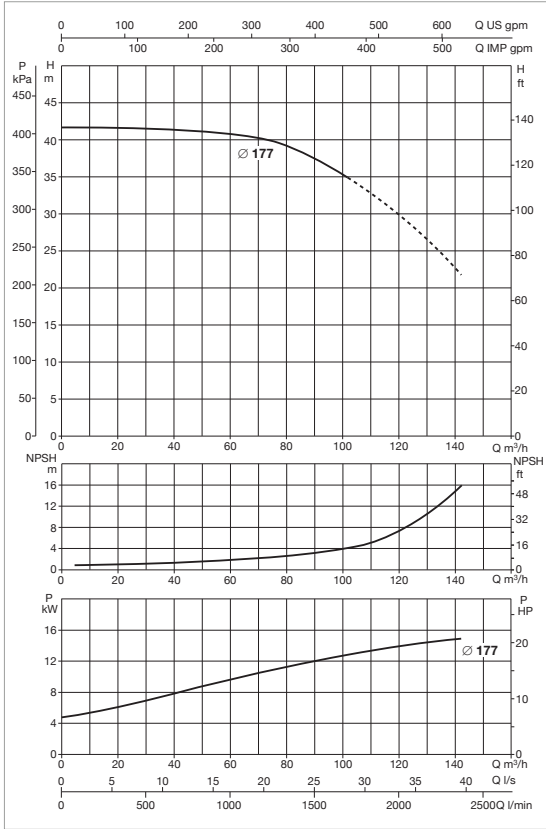


The dashed components are not included in the standard supply.

MODEL	A	A1	A2	A max	B	B1	B max	H	H1	H2	H3	H5	I	DNA	DNM	WEIGHT without jockey pump kg	WEIGHT with jockey pump kg
<b>1 KDN 50-160/161 - DIESEL ENGINE DRIVEN PUMP MODULE</b>	1330	359	81	1867	602	-	841	1736	293	1293	274	-	-	125	80	341	375
<b>1 KDN 50-160/161 - ELECTRIC PUMP MODULE</b>	1120	363	60	1483	490	380	762	1640	208	1200	213	-	-	125	80	471	496
<b>1 KDN 50-160/161 - 2 ELECTRIC PUMP MODULES</b>	1120	363	60	1483	1380	-	1652	1640	208	1200	213	-	800	125	80	942	967
<b>1 KDN 50-160/161 - ELECTRIC PUMP + DIESEL ENGINE DRIVEN PUMP MODULE</b>	1330	359	81	1867	1604	-	1843	1736	293	1293	274	-	800	125	80	812	837
<b>1 KDN 50-160/161 - 2 DIESEL ENGINE DRIVEN PUMP MODULES</b>	1330	359	81	1867	1604	-	1843	1736	293	1293	274	-	800	125	80	682	716

# 1 KDN 50-160/177 - UNI EN 12845 FIRE-FIGHTING PUMP SETS

Pumped liquid temperature range: from -15 °C to +70 °C - Maximum ambient temperature: from +4 °C to +40 °C



## KDN EN 12845 ELECTRIC PUMP

MODEL	POWER INPUT	JOCKEY PUMP*	P2 MAIN PUMP	P2 JOCKEY PUMP	In A	METER KIT
			kW	kW		
1 KDN 50-160/177 15	3x400 V ~	JET 251 T	15	1,85	26,5	KDN 50 EN 12845

## KDN EN 12845 DIESEL ENGINE-DRIVEN PUMP

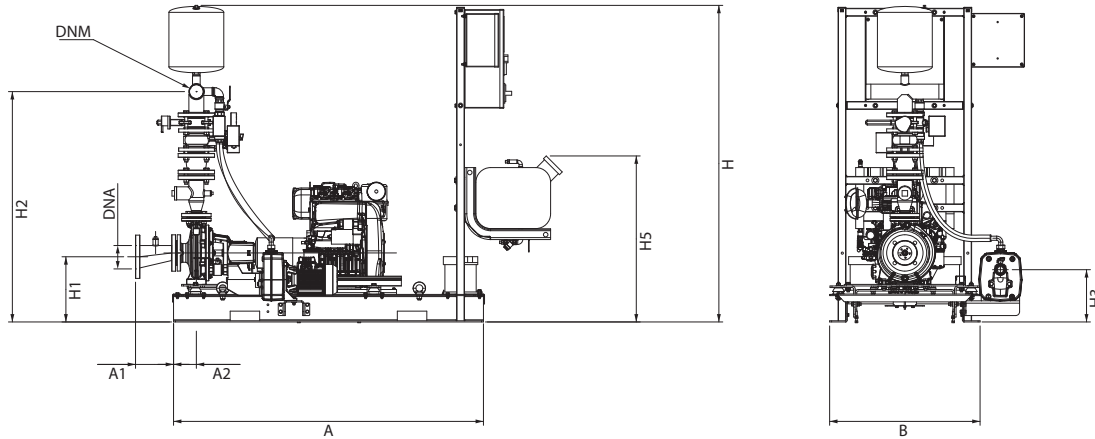
MODEL	BATTERY CHARGER POWER INPUT	JOCKEY PUMP*	** P2 DIESEL ENGINE - DRIVEN PUMP	P2 JOCKEY PUMP	METER KIT	FAN SURFACE
			kW	kW		
1 KDN 50-160/177 MD	3x230-400 V ~	JET 251 T	15	1,85	KDN 50 EN 12845	0,22 m²

\* Jockey pump on request.

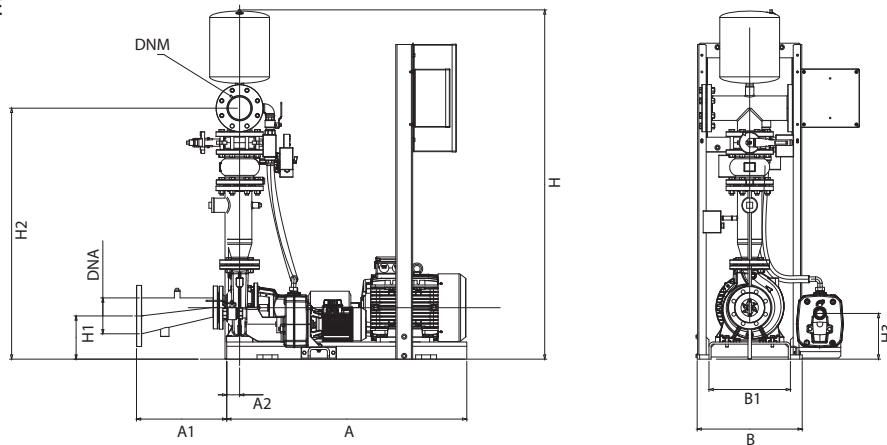
\*\* ISO 3046 continuous power The motor is capable of delivering 10 % more of the power requested by the pump.

The performance curves are based on kinematic viscosity values = 1 mm²/s and density equal to 1000 kg/m³. Curve tolerance according to ISO 9906.

### DIESEL ENGINE-DRIVEN PUMP MODULE



### ELECTRIC PUMP MODULE

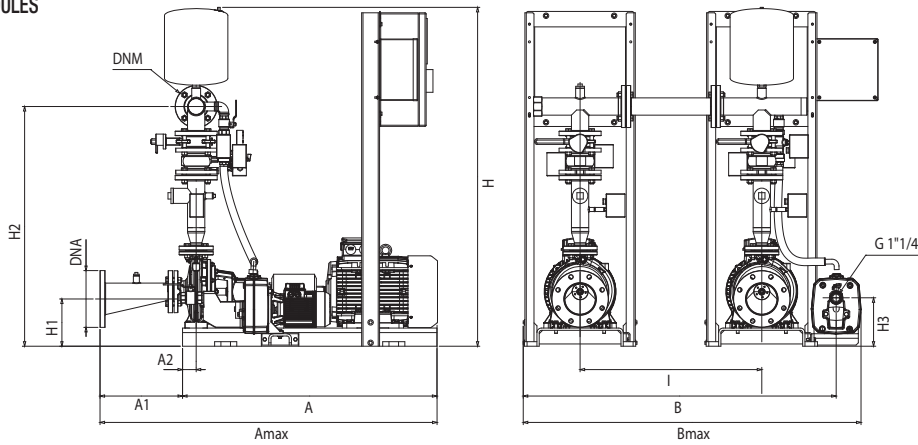


The dashed components are not included in the standard supply.

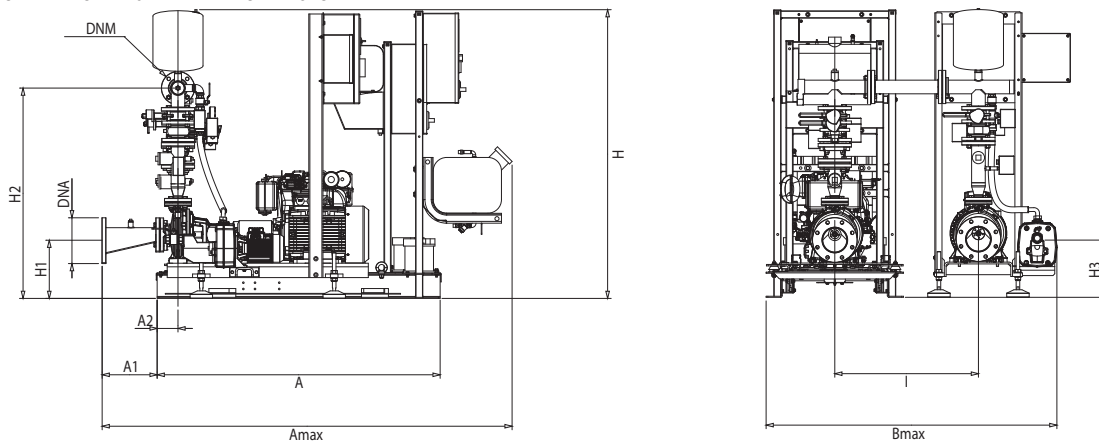


# 1 KDN 50-160/177 - UNI EN 12845 FIRE-FIGHTING PUMP SETS

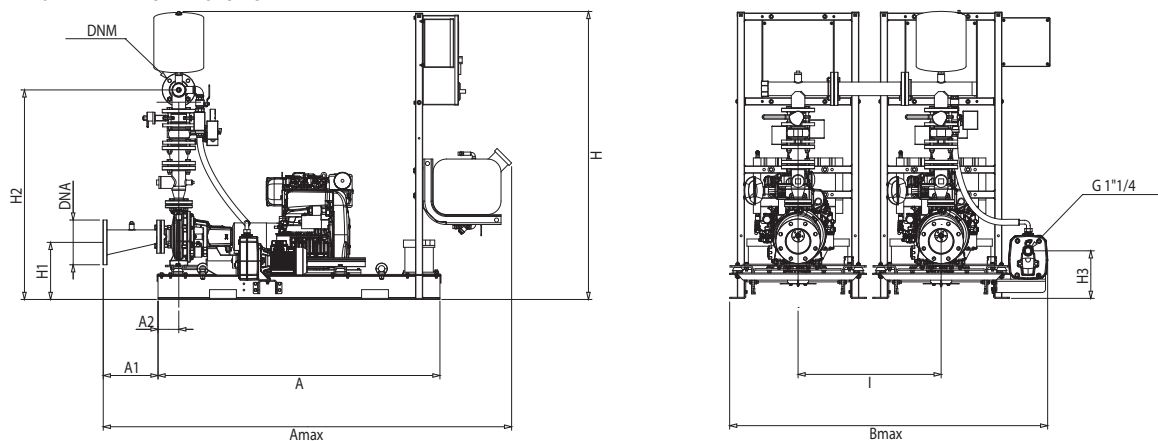
## 2 ELECTRIC PUMP MODULES



## ELECTRIC PUMP + DIESEL ENGINE-DRIVEN PUMP MODULE



## 2 DIESEL ENGINE-DRIVEN PUMP MODULES

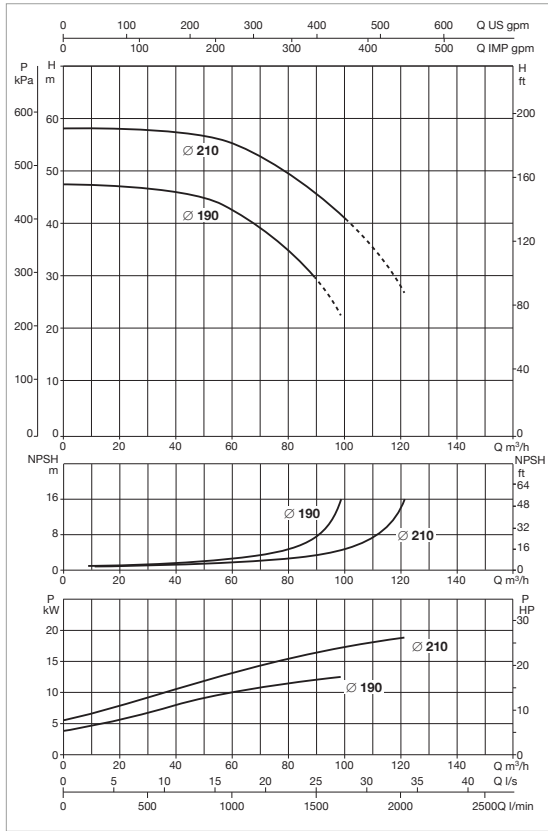


The dashed components are not included in the standard supply.

MODEL	A	A1	A2	A max	B	B1	B max	H	H1	H2	H3	H5	I	DNA	DNM	WEIGHT without jockey pump kg	WEIGHT with jockey pump kg
<b>1 KDN 50-160/177 - DIESEL ENGINE DRIVEN PUMP MODULE</b>	1576	306	117	2284	765	-	991	1736	319	1293	266	844	-	125	80	435	466
<b>1 KDN 50-160/177 - ELECTRIC PUMP MODULE</b>	1120	363	60	1483	490	380	762	1640	208	1200	213	-	-	125	80	480	500
<b>1 KDN 50-160/177 - 2 ELECTRIC PUMP MODULES</b>	1120	363	60	1483	1380	-	1652	1640	208	1200	213	-	800	125	80	960	980
<b>1 KDN 50-160/177 - ELECTRIC PUMP + DIESEL ENGINE DRIVEN PUMP MODULE</b>	1576	306	117	2284	-	-	2156	1736	319	1293	266	844	800	125	80	915	935
<b>1 KDN 50-160/177 - 2 DIESEL ENGINE DRIVEN PUMP MODULES</b>	1576	306	117	2284	-	-	2156	1736	319	1293	266	844	800	125	80	870	901

# 1 KDN 50-200/190-210 - UNI EN 12845 FIRE-FIGHTING PUMP SETS

Pumped liquid temperature range: from -15 °C to +70 °C - Maximum ambient temperature: from +4 °C to +40 °C



## KDN EN 12845 ELECTRIC PUMP

MODEL	POWER INPUT	JOCKEY PUMP*	P2 MAIN PUMP	P2 JOCKEY PUMP	In A	METER KIT
			kW	kW		
1 KDN 50-200/190 15	3x400 V ~	JET 251 T	15	1,85	26,5	KDN 50 EN 12845
1 KDN 50-200/210 18,5	3x400 V ~	JET 251 T	18,5	1,85	32	KDN 50 EN 12845

## KDN EN 12845 DIESEL ENGINE-DRIVEN PUMP

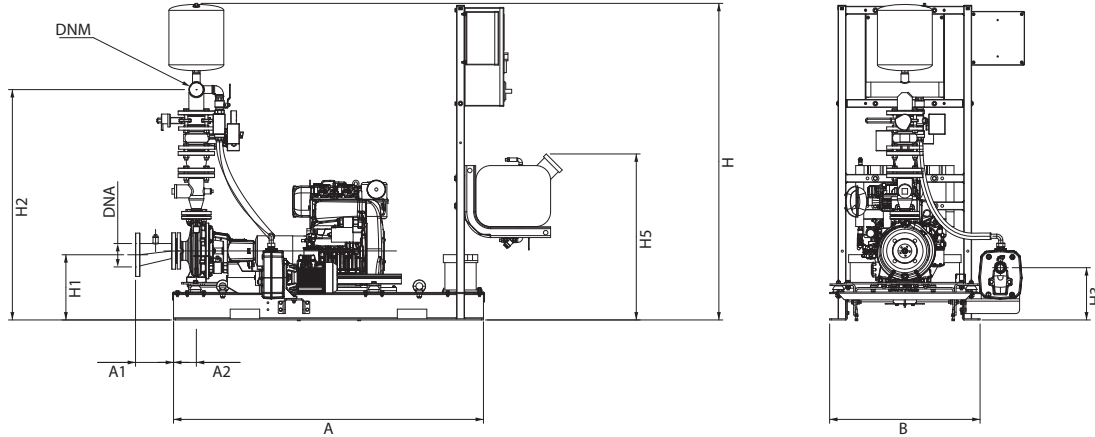
MODEL	BATTERY CHARGER POWER INPUT	JOCKEY PUMP*	** P2 DIESEL ENGINE - DRIVEN PUMP	P2 JOCKEY PUMP	METER KIT	FAN SURFACE
			kW	kW		
1 KDN 50-200/190 MD	3x230-400 V ~	JET 251 T	15	1,85	KDN 50 EN 12845	0,22 m²
1 KDN 50-200/210 MD	3x230-400 V ~	JET 251 T	19	1,85	KDN 50 EN 12845	0,22 m²

\* Jockey pump on request.

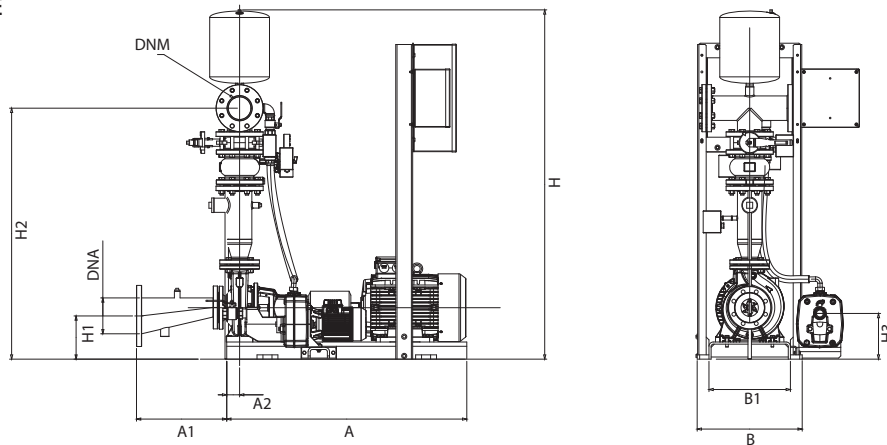
\*\* ISO 3046 continuous power The motor is capable of delivering 10 % more of the power requested by the pump.

The performance curves are based on kinematic viscosity values = 1 mm²/s and density equal to 1000 kg/m³. Curve tolerance according to ISO 9906.

### DIESEL ENGINE-DRIVEN PUMP MODULE



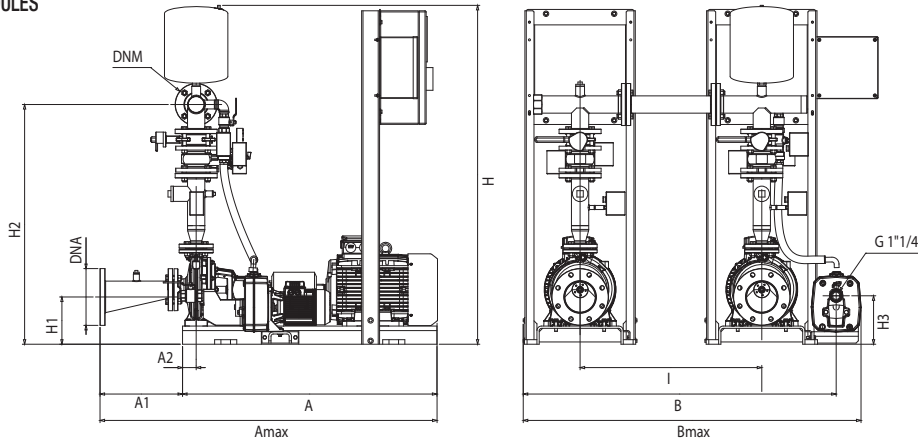
### ELECTRIC PUMP MODULE



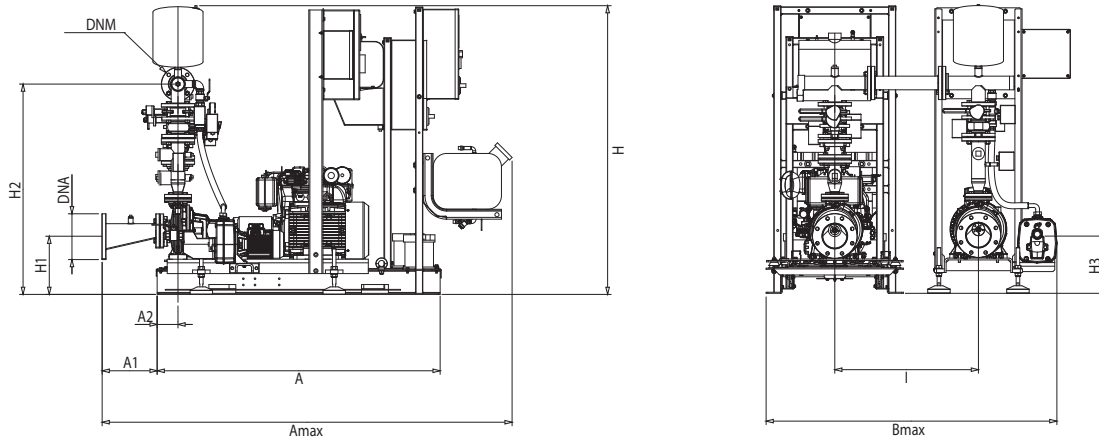
The dashed components are not included in the standard supply.

# 1 KDN 50-200/190-210 - UNI EN 12845 FIRE-FIGHTING PUMP SETS

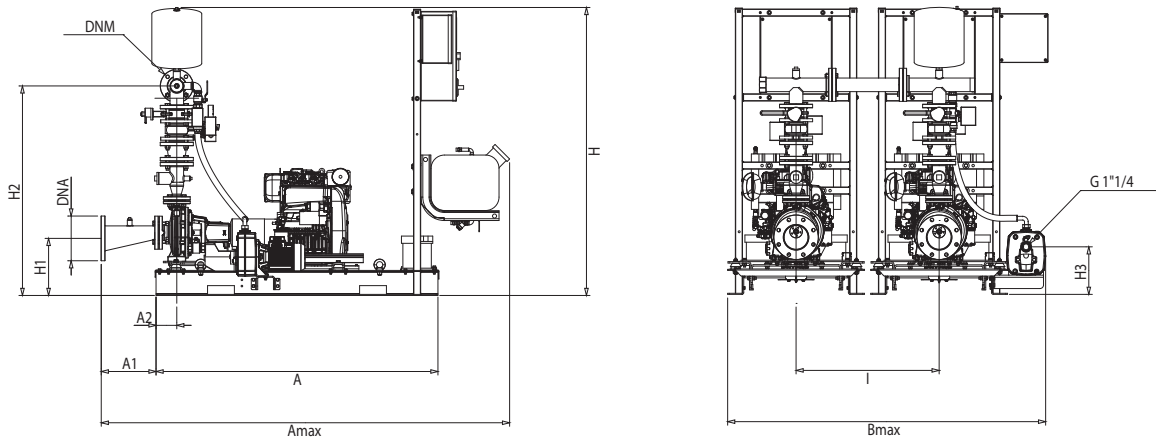
## 2 ELECTRIC PUMP MODULES



## ELECTRIC PUMP + DIESEL ENGINE-DRIVEN PUMP MODULE



## 2 DIESEL ENGINE-DRIVEN PUMP MODULES

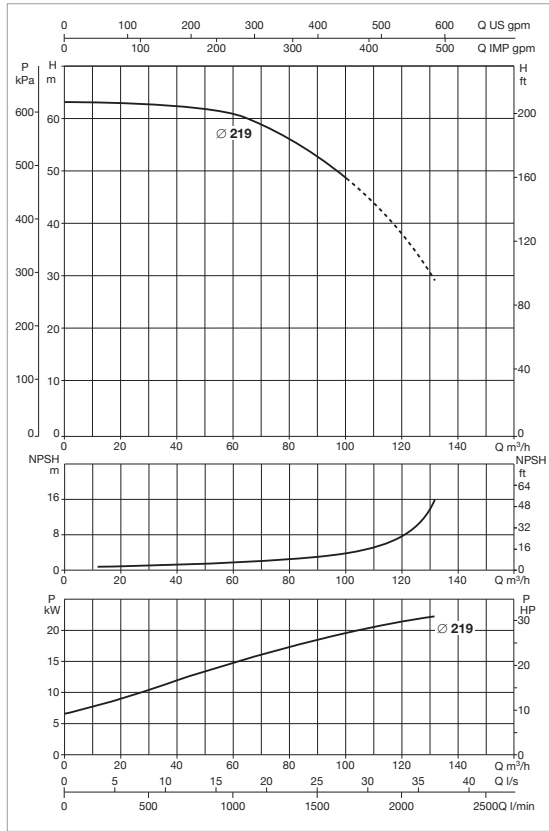


The dashed components are not included in the standard supply.

MODEL	A	A1	A2	A max	B	B1	B max	H	H1	H2	H3	H5	I	DNA	DNM	WEIGHT without jockey pump kg	WEIGHT with jockey pump kg
<b>1 KDN 50-200/190-210 - DIESEL ENGINE DRIVEN PUMP MODULE</b>	1576	306	117	2284	765	-	991	1771	319	1331	266	844	-	125	80	461	481
<b>1 KDN 50-200/190-210 - ELECTRIC PUMP MODULE</b>	1120	363	60	1534	490	380	762	1660	208	1220	213	-	-	125	80	571	576
<b>1 KDN 50-200/190-210 - 2 ELECTRIC PUMP MODULES</b>	1120	363	60	1534	1380	-	1652	1660	208	1220	213	-	800	125	80	1142	1147
<b>1 KDN 50-200/190-210 - ELECTRIC PUMP + DIESEL ENGINE DRIVEN PUMP MODULE</b>	1576	306	117	2284	-	-	2156	1771	319	1331	266	844	800	125	80	1032	1037
<b>1 KDN 50-200/190-210 - 2 DIESEL ENGINE DRIVEN PUMP MODULES</b>	1576	306	117	2284	-	-	2156	1771	319	1331	266	844	800	125	80	922	942

# 1 KDN 50-200/219 - UNI EN 12845 FIRE-FIGHTING PUMP SETS

Pumped liquid temperature range: from -15 °C to +70 °C - Maximum ambient temperature: from +4 °C to +40 °C



## KDN EN 12845 ELECTRIC PUMP

MODEL	POWER INPUT	JOCKEY PUMP*	P2 MAIN PUMP	P2 JOCKEY PUMP	In A	METER KIT
			kW	kW		
1 KDN 50-200/219 22	3x400 V ~	JET 251 T	22	1,85	38	KDN 50 EN 12845

## KDN EN 12845 DIESEL ENGINE-DRIVEN PUMP

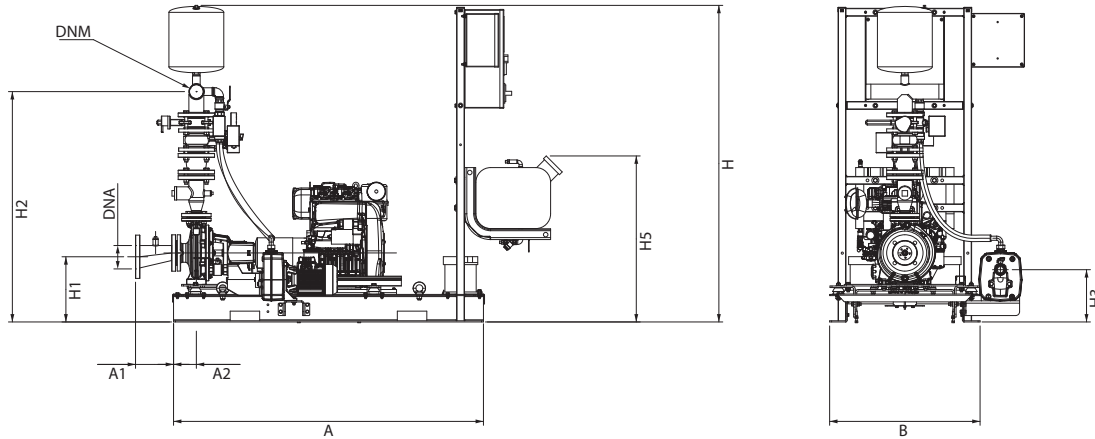
MODEL	BATTERY CHARGER POWER INPUT	JOCKEY PUMP*	** P2 DIESEL ENGINE - DRIVEN PUMP	P2 JOCKEY PUMP	METER KIT	FAN SURFACE
			kW	kW		
1 KDN 50-200/219 MD	3x230-400 V ~	JET 251 T	26	1,85	KDN 50 EN 12845	0,22 m²

\* Jockey pump on request.

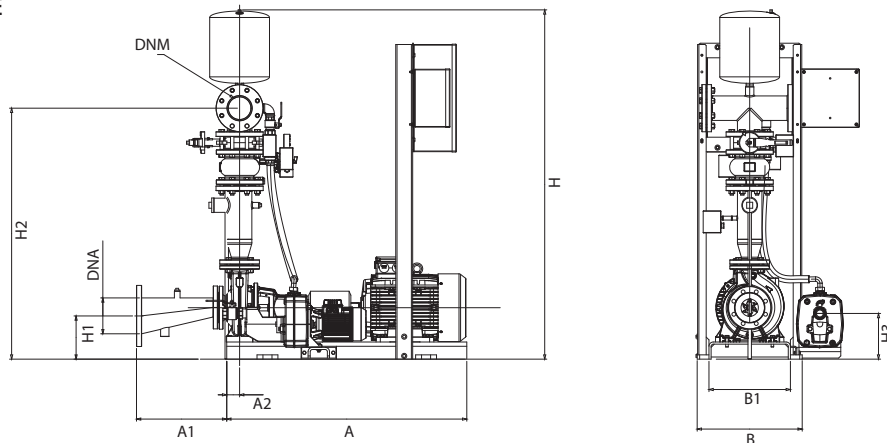
\*\* ISO 3046 continuous power The motor is capable of delivering 10 % more of the power requested by the pump.

The performance curves are based on kinematic viscosity values = 1 mm²/s and density equal to 1000 kg/m³. Curve tolerance according to ISO 9906.

### DIESEL ENGINE-DRIVEN PUMP MODULE



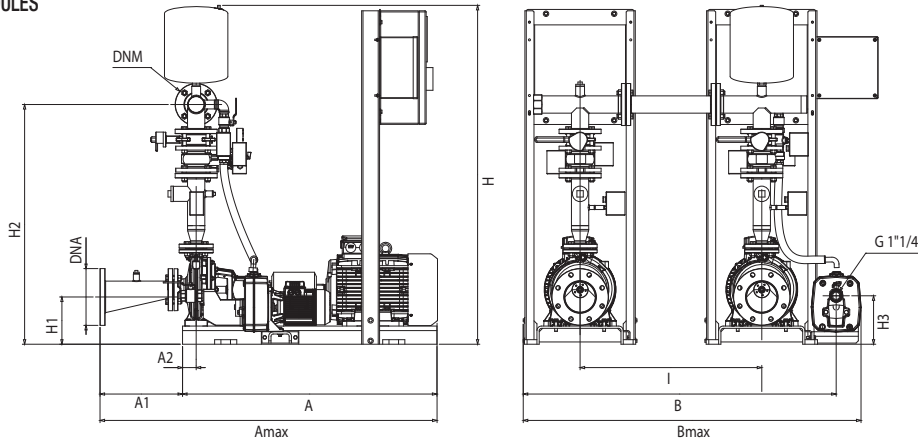
### ELECTRIC PUMP MODULE



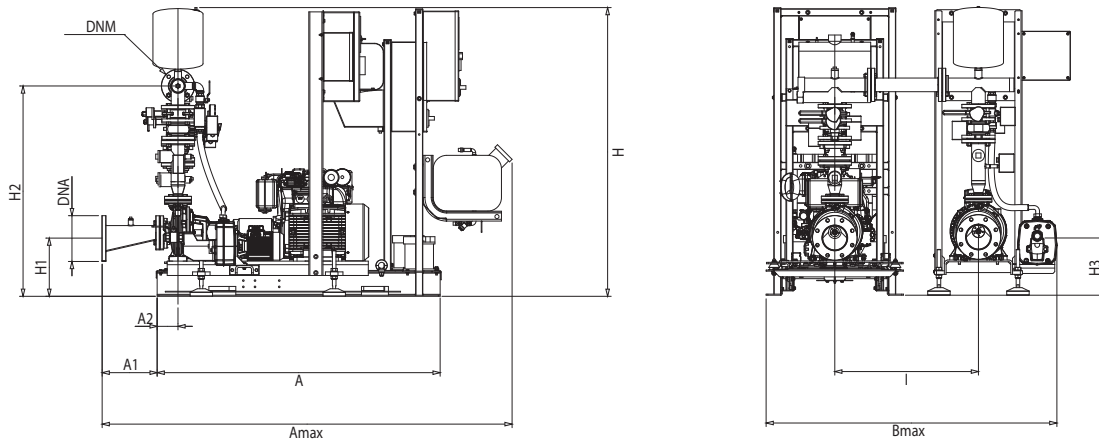
The dashed components are not included in the standard supply.

# 1 KDN 50-200/219 - UNI EN 12845 FIRE-FIGHTING PUMP SETS

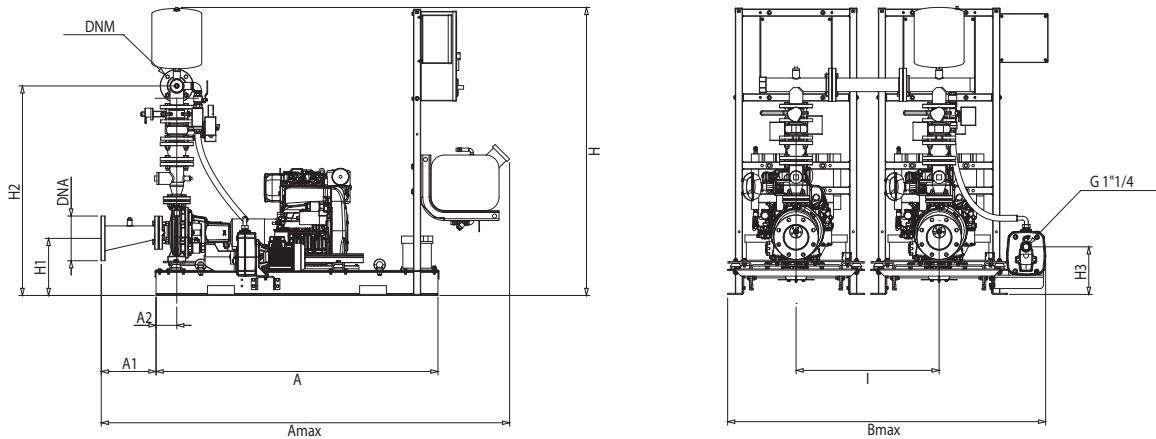
## 2 ELECTRIC PUMP MODULES



## ELECTRIC PUMP + DIESEL ENGINE-DRIVEN PUMP MODULE



## 2 DIESEL ENGINE-DRIVEN PUMP MODULES

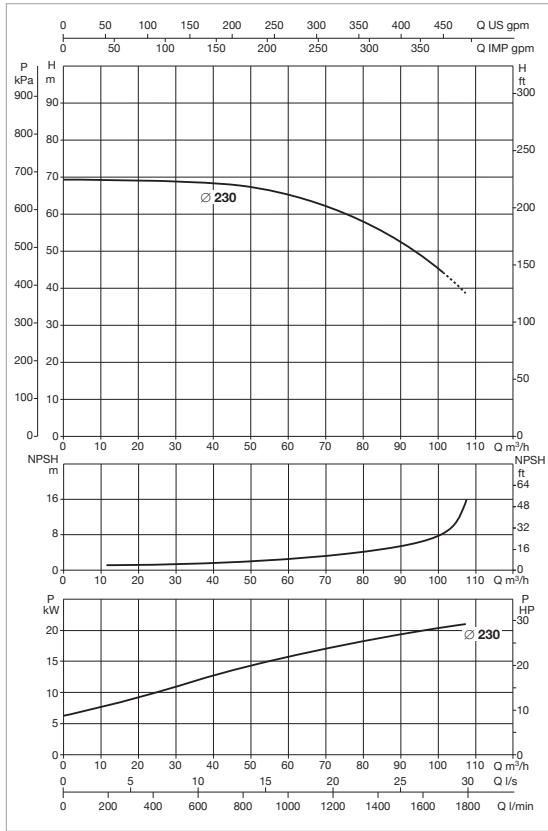


The dashed components are not included in the standard supply.

MODEL	A	A1	A2	A max	B	B1	B max	H	H1	H2	H3	H5	I	DNA	DNM	WEIGHT without jockey pump kg	WEIGHT with jockey pump kg
<b>1 KDN 50-200/219 - DIESEL ENGINE DRIVEN PUMP MODULE</b>	1576	306	117	2284	765	-	991	1771	319	1331	266	844	-	125	80	626	649
<b>1 KDN 50-200/219 - ELECTRIC PUMP MODULE</b>	1120	363	60	1568	490	380	762	1680	228	1240	213	-	-	125	80	594	609
<b>1 KDN 50-200/219 - 2 ELECTRIC PUMP MODULES</b>	1120	363	60	1568	1380	-	1652	1680	228	1240	213	-	800	125	80	1188	1203
<b>1 KDN 50-200/219 - ELECTRIC PUMP + DIESEL ENGINE DRIVEN PUMP MODULE</b>	1576	306	117	2284	-	-	2156	1771	319	1331	266	844	800	125	80	1220	1235
<b>1 KDN 50-200/219 - 2 DIESEL ENGINE DRIVEN PUMP MODULES</b>	1576	306	117	2284	-	-	2156	1771	319	1331	266	844	800	125	80	1252	1275

# 1 KDN 50-250/230 - UNI EN 12845 FIRE-FIGHTING PUMP SETS

Pumped liquid temperature range: from -15 °C to +70 °C - Maximum ambient temperature: from +4 °C to +40 °C



## KDN EN 12845 ELECTRIC PUMP

MODEL	POWER INPUT	JOCKEY PUMP*	P2 MAIN PUMP	P2 JOCKEY PUMP	In A	METER KIT
			kW	kW		
1 KDN 50-250/230 22	3x400 V ~	JET 251 T	22	1,85	38	KDN 50 EN 12845

## KDN EN 12845 DIESEL ENGINE-DRIVEN PUMP

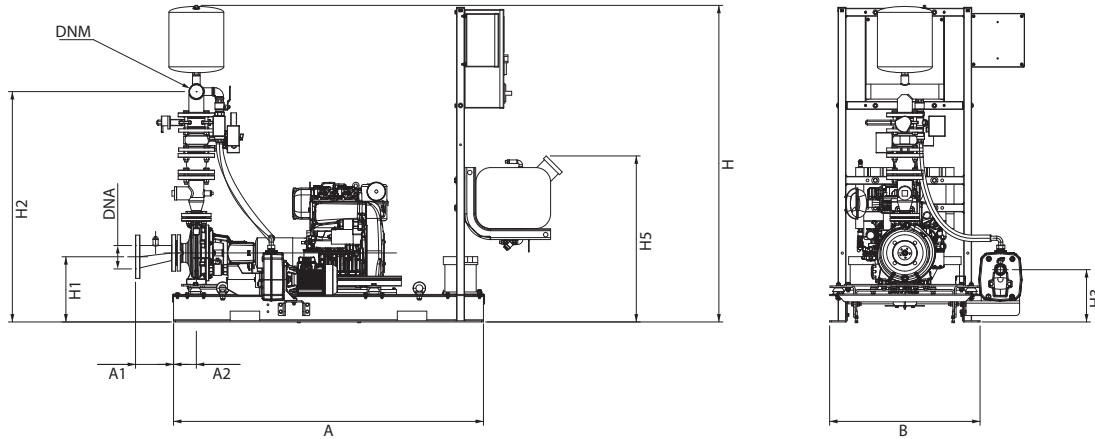
MODEL	BATTERY CHARGER POWER INPUT	JOCKEY PUMP*	** P2 DIESEL ENGINE - DRIVEN PUMP	P2 JOCKEY PUMP	METER KIT	FAN SURFACE
			kW	kW		
1 KDN 50-250/230 MD	3x230-400 V ~	JET 251 T	26	1,85	KDN 50 EN 12845	0,22 m²

\* Jockey pump on request.

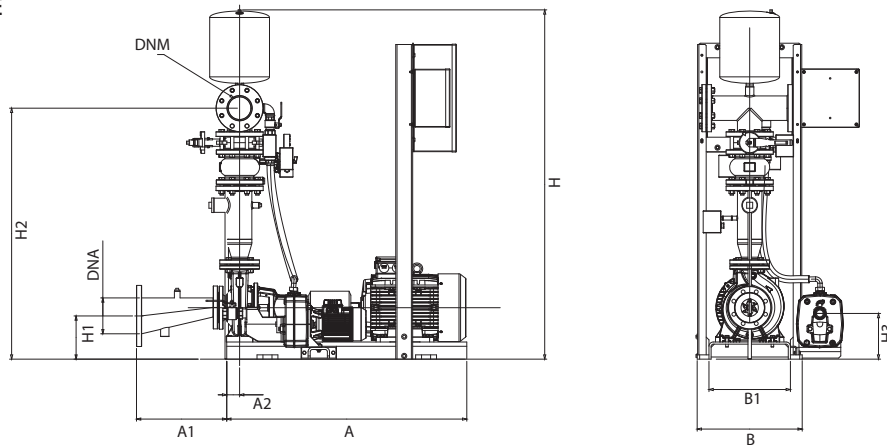
\*\* ISO 3046 continuous power The motor is capable of delivering 10 % more of the power requested by the pump.

The performance curves are based on kinematic viscosity values = 1 mm²/s and density equal to 1000 kg/m³. Curve tolerance according to ISO 9906.

### DIESEL ENGINE-DRIVEN PUMP MODULE



### ELECTRIC PUMP MODULE

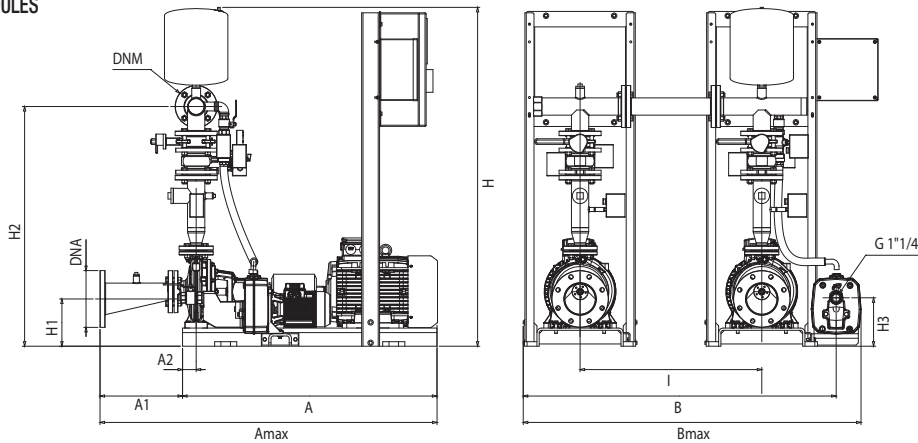


The dashed components are not included in the standard supply.

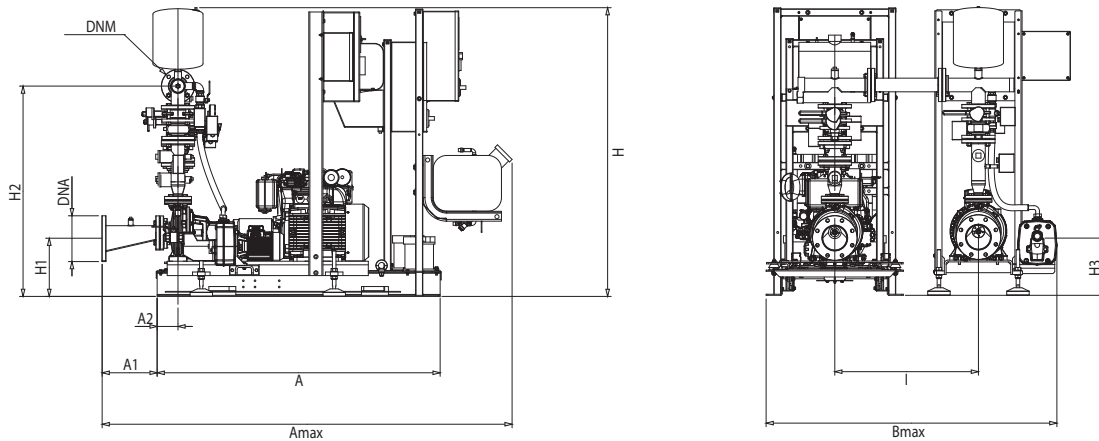
# 1 KDN 50-250/230 - UNI EN 12845 FIRE-FIGHTING PUMP SETS

FIRE-FIGHTING PUMP SETS

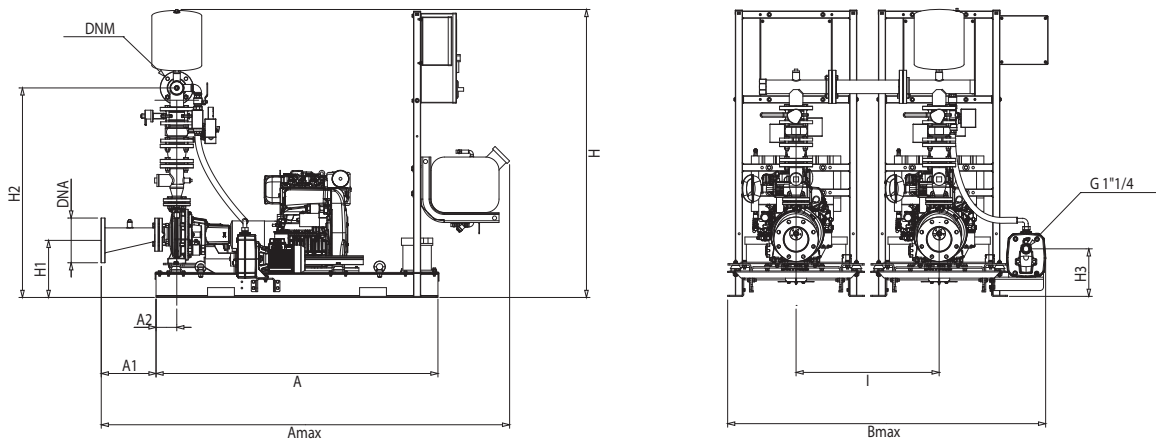
## 2 ELECTRIC PUMP MODULES



## ELECTRIC PUMP + DIESEL ENGINE-DRIVEN PUMP MODULE



## 2 DIESEL ENGINE-DRIVEN PUMP MODULES



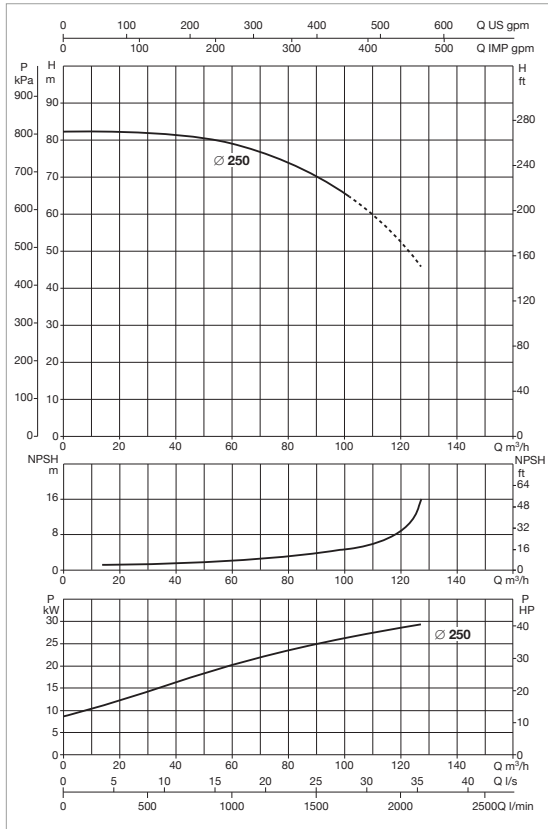
The dashed components are not included in the standard supply.

MODEL	A	A1	A2	A max	B	B1	B max	H	H1	H2	H3	H5	I	DNA	DNM	WEIGHT without jockey pump kg	WEIGHT with jockey pump kg
<b>1 KDN 50-250/230 - DIESEL ENGINE DRIVEN PUMP MODULE</b>	1576	306	117	2284	765	-	991	1816	339	1376	266	844	-	125	80	631	651
<b>1 KDN 50-250/230 - ELECTRIC PUMP MODULE</b>	1250	348	75	1598	490	430	812	1705	228	1265	213	-	-	125	80	601	626
<b>1 KDN 50-250/230 - 2 ELECTRIC PUMP MODULES</b>	1250	348	75	1598	1380	-	1702	1705	228	1265	213	-	800	125	80	1202	1227
<b>1 KDN 50-250/230 - ELECTRIC PUMP + DIESEL ENGINE DRIVEN PUMP MODULE</b>	1576	306	117	2284	-	-	2156	1816	339	1376	266	844	800	125	80	1232	1257
<b>1 KDN 50-250/230 - 2 DIESEL ENGINE DRIVEN PUMP MODULES</b>	1576	306	117	2284	-	-	2156	1816	339	1376	266	844	800	125	80	1262	1282



# 1 KDN 50-250/250 - UNI EN 12845 FIRE-FIGHTING PUMP SETS

Pumped liquid temperature range: from -15 °C to +70 °C - Maximum ambient temperature: from +4 °C to +40 °C



## KDN EN 12845 ELECTRIC PUMP

MODEL	POWER INPUT	JOCKEY PUMP*	P2 MAIN PUMP	P2 JOCKEY PUMP	In A	METER KIT
			kW	kW		
1 KDN 50-250/250 30	3x400 V ~	JET 251 T	30	1,85	52	KDN 50 EN 12845

## KDN EN 12845 DIESEL ENGINE-DRIVEN PUMP

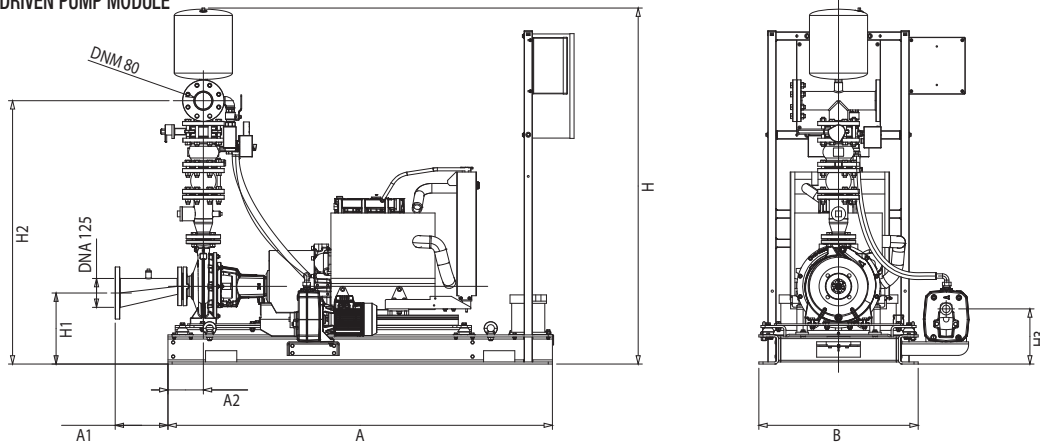
MODEL	BATTERY CHARGER POWER INPUT	JOCKEY PUMP*	** P2 DIESEL ENGINE - DRIVEN PUMP	P2 JOCKEY PUMP	METER KIT	FAN SURFACE
			kW	kW		
1 KDN 50-250/250 MD	3x230-400 V ~	JET 251 T	37	1,85	KDN 50 EN 12845	0,40 m <sup>2</sup>

\* Jockey pump on request.

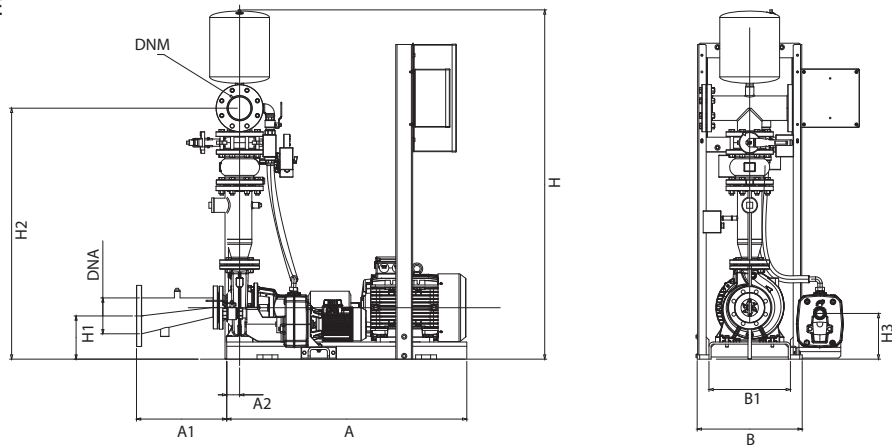
\*\* ISO 3046 continuous power The motor is capable of delivering 10 % more of the power requested by the pump.

The performance curves are based on kinematic viscosity values = 1 mm<sup>2</sup>/s and density equal to 1000 kg/m<sup>3</sup>. Curve tolerance according to ISO 9906.

### DIESEL ENGINE-DRIVEN PUMP MODULE



### ELECTRIC PUMP MODULE



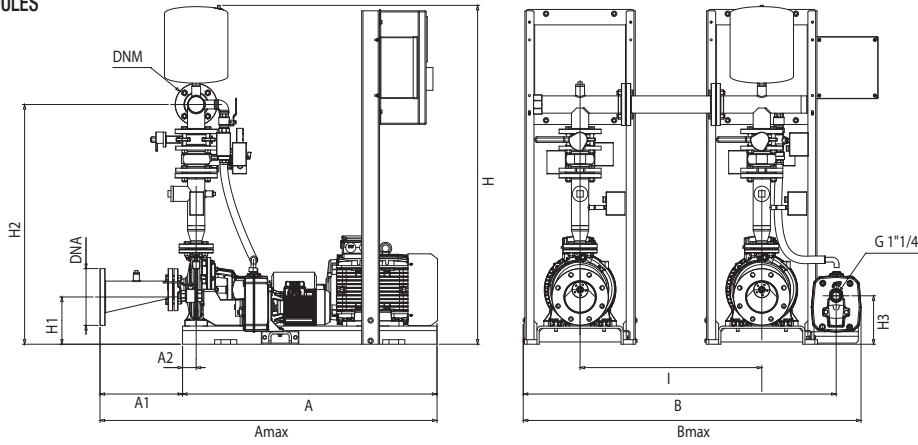
The dashed components are not included in the standard supply.



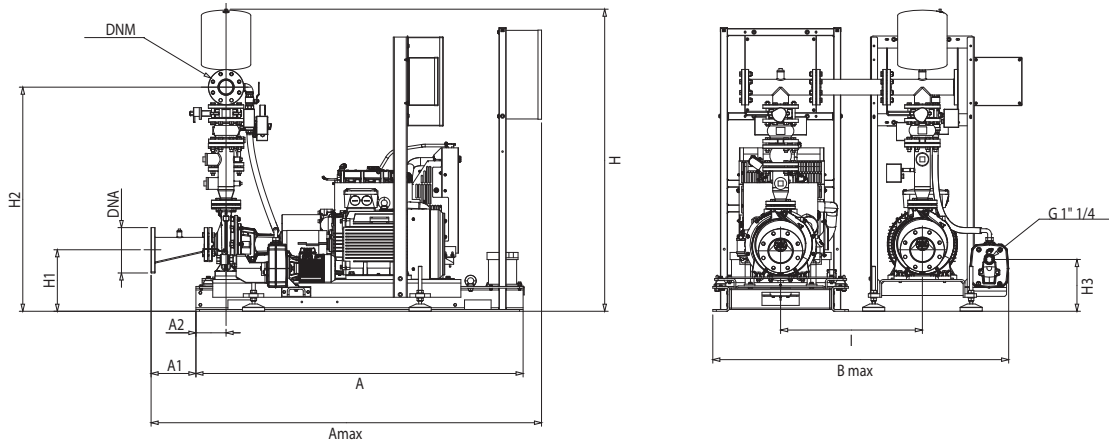
# 1 KDN 50-250/250 - UNI EN 12845 FIRE-FIGHTING PUMP SETS

FIRE-FIGHTING PUMP SETS

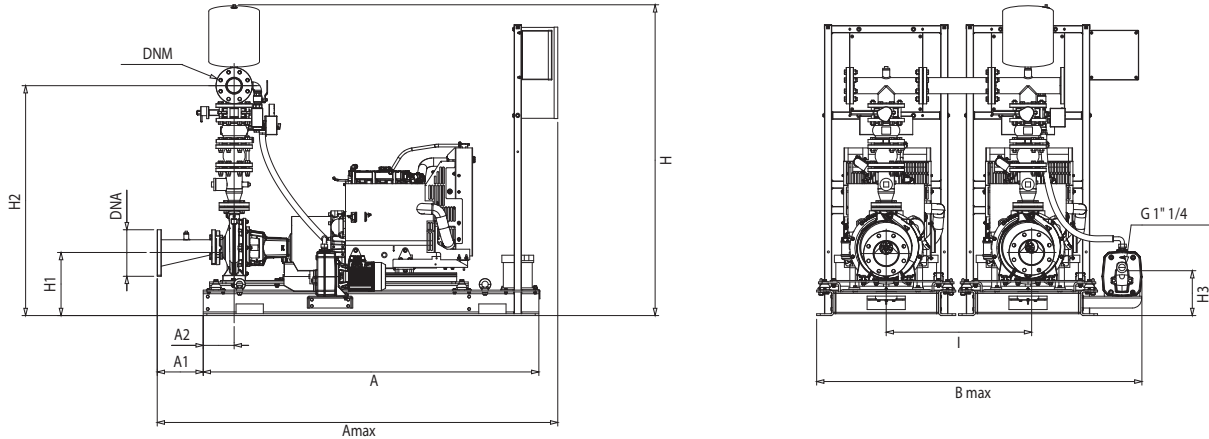
## 2 ELECTRIC PUMP MODULES



## ELECTRIC PUMP + DIESEL ENGINE-DRIVEN PUMP MODULE



## 2 DIESEL ENGINE-DRIVEN PUMP MODULES



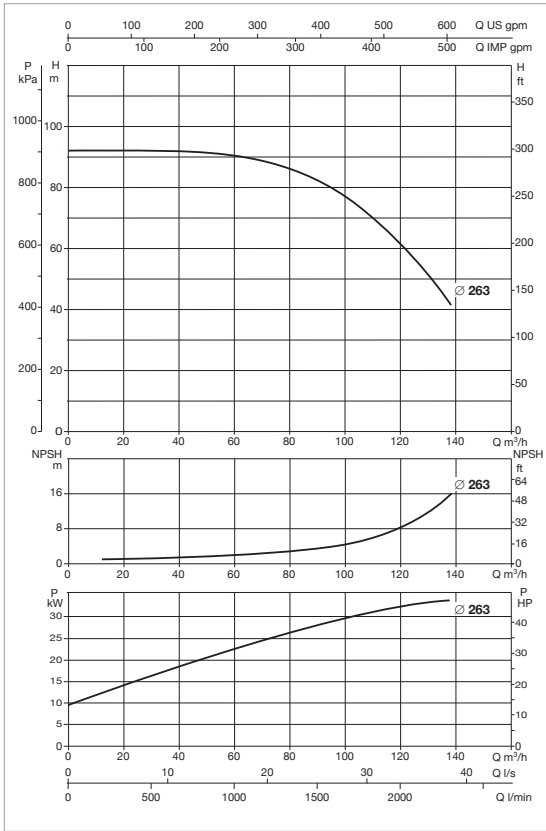
The dashed components are not included in the standard supply.

MODEL	A	A1	A2	A max	B	B1	B max	H	H1	H2	H3	H5	I	DNA	DNM	WEIGHT without jockey pump kg	WEIGHT with jockey pump kg
<b>1 KDN 50-250/250 - DIESEL ENGINE DRIVEN PUMP MODULE</b>	1846	253	170	2284	765	-	1007	1829	341	1384	265	-	-	125	80	804	804
<b>1 KDN 50-250/250 - ELECTRIC PUMP MODULE</b>	1325	348	75	1748	590	480	862	1745	266	1305	213	-	-	125	80	661	686
<b>1 KDN 50-250/250 - 2 ELECTRIC PUMP MODULES</b>	1325	348	75	1748	1580	-	1852	1745	266	1305	213	-	800	125	80	1322	1347
<b>1 KDN 50-250/250 - ELECTRIC PUMP + DIESEL ENGINE DRIVEN PUMP MODULE</b>	1846	253	170	2284	-	-	2172	1829	341	1384	265	-	800	125	80	1465	1490
<b>1 KDN 50-250/250 - 2 DIESEL ENGINE DRIVEN PUMP MODULES</b>	1846	253	170	2284	-	-	2172	1829	341	1384	265	-	800	125	80	1608	1608



# 1 KDN 50-250/263 - UNI EN 12845 FIRE-FIGHTING PUMP SETS

Pumped liquid temperature range: from -15 °C to +70 °C - Maximum ambient temperature: from +4 °C to +40 °C



## KDN EN 12845 ELECTRIC PUMP

MODEL	POWER INPUT	JOCKEY PUMP*	P2 MAIN PUMP	P2 JOCKEY PUMP	In A	METER KIT
			kW	kW		
1 KDN 50-250/263 37	3x400 V ~	KV 3/12 T	37	1,5	63	KDN 50 EN 12845

## KDN EN 12845 DIESEL ENGINE-DRIVEN PUMP

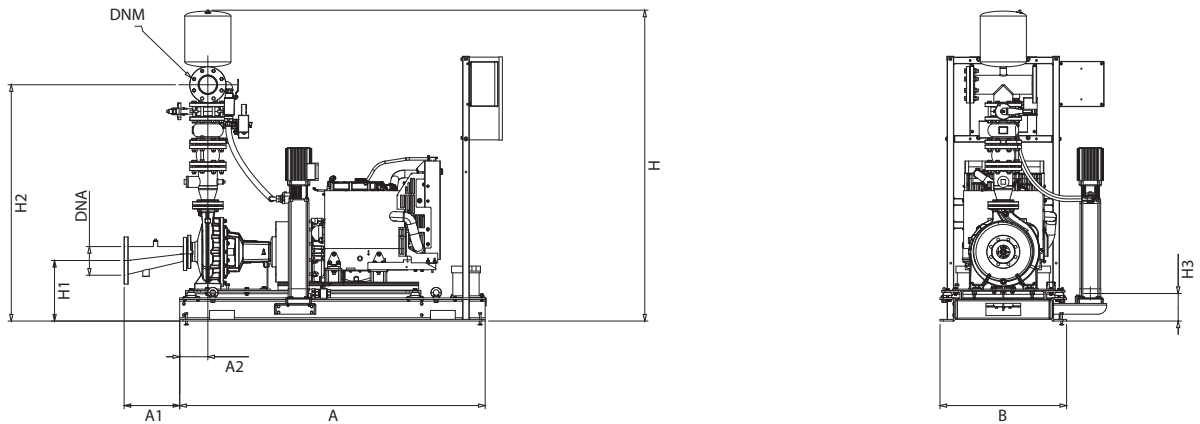
MODEL	BATTERY CHARGER POWER INPUT	JOCKEY PUMP*	** P2 DIESEL ENGINE - DRIVEN PUMP	P2 JOCKEY PUMP	METER KIT	FAN SURFACE
			kW	kW		
1 KDN 50-250/263 MD	3x230-400 V ~	KV 3/12 T	37	1,5	KDN 50 EN 12845	0,40 m <sup>2</sup>

\* Jockey pump on request.

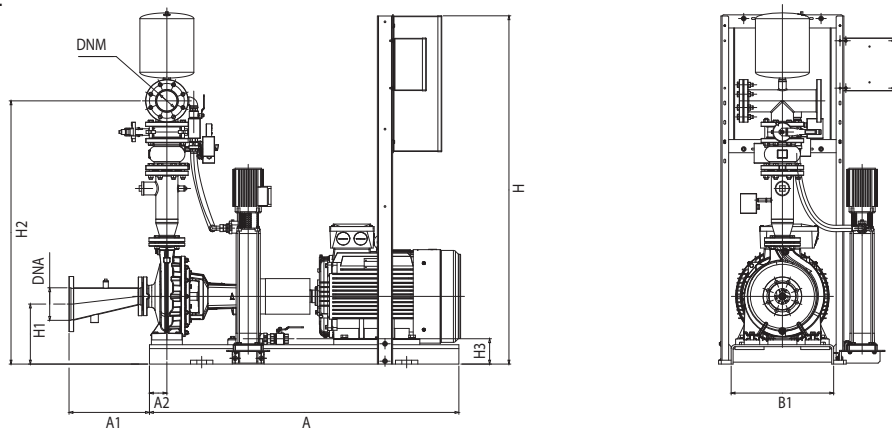
\*\* ISO 3046 continuous power The motor is capable of delivering 10 % more of the power requested by the pump.

The performance curves are based on kinematic viscosity values = 1 mm<sup>2</sup>/s and density equal to 1000 kg/m<sup>3</sup>. Curve tolerance according to ISO 9906.

### DIESEL ENGINE-DRIVEN PUMP MODULE



### ELECTRIC PUMP MODULE

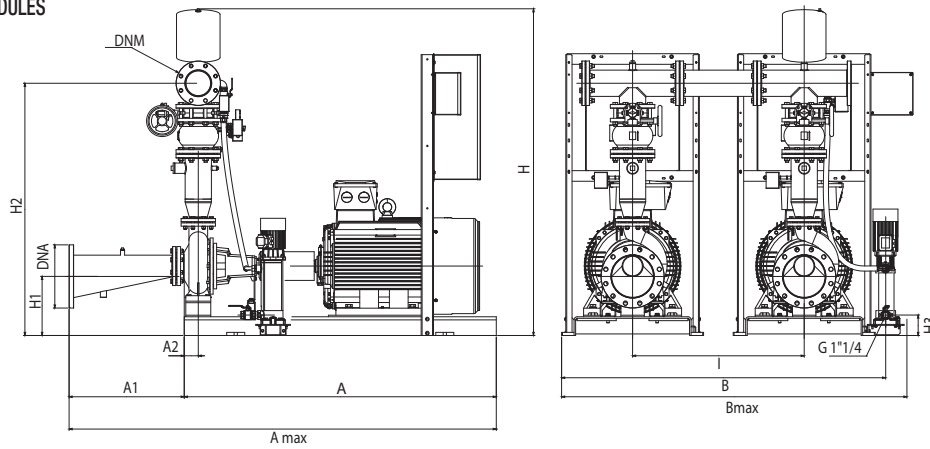


The dashed components are not included in the standard supply.

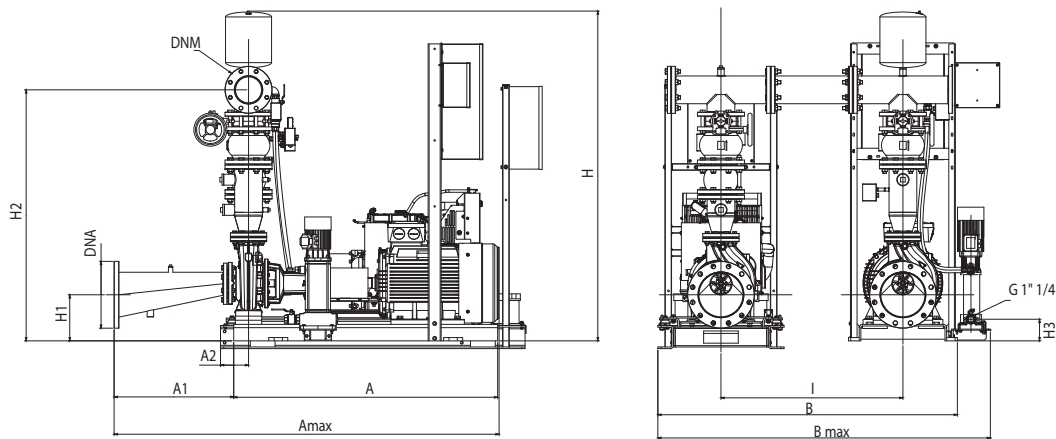
# 1 KDN 50-250/263 - UNI EN 12845 FIRE-FIGHTING PUMP SETS

FIRE-FIGHTING PUMP SETS

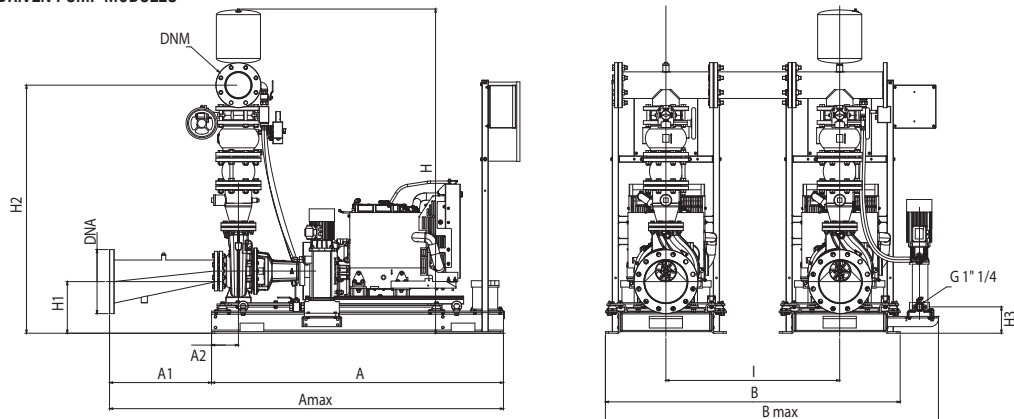
## 2 ELECTRIC PUMP MODULES



## ELECTRIC PUMP + DIESEL ENGINE-DRIVEN PUMP MODULE



## 2 DIESEL ENGINE-DRIVEN PUMP MODULES

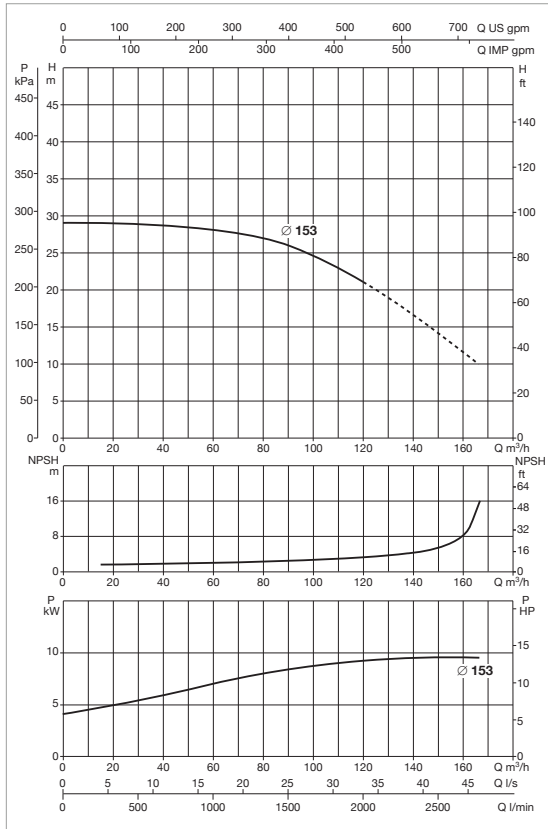


The dashed components are not included in the standard supply.

MODEL	A	A1	A2	A max	B	B1	B max	H	H1	H2	H3	H5	I	DNA	DNM	WEIGHT without jockey pump kg	WEIGHT with jockey pump kg
<b>1 KDN 50-250/263 - DIESEL ENGINE DRIVEN PUMP MODULE</b>	1846	253	170	2284	765	-	1007	1829	341	1384	265	-	-	125	80	809	818
<b>1 KDN 50-250/263 - ELECTRIC PUMP MODULE</b>	1325	348	75	1748	590	480	862	1745	266	1305	213	-	-	125	80	911	939
<b>1 KDN 50-250/263 - 2 ELECTRIC PUMP MODULES</b>	1325	348	75	1748	1580	-	1852	1745	266	1305	213	-	800	125	80	1822	1850
<b>1 KDN 50-250/263 - ELECTRIC PUMP + DIESEL ENGINE DRIVEN PUMP MODULE</b>	1846	253	170	2284	-	-	2172	1829	341	1384	265	-	800	125	80	1720	1748
<b>1 KDN 50-250/263 - 2 DIESEL ENGINE DRIVEN PUMP MODULES</b>	1846	253	170	2284	-	-	2172	1829	341	1384	265	-	800	125	80	1618	1627

# 1 KDN 65-160/153- UNI EN 12845 FIRE-FIGHTING PUMP SETS

Pumped liquid temperature range: from -15 °C to +70 °C - Maximum ambient temperature: from +4 °C to +40 °C



## KDN EN 12845 ELECTRIC PUMP

MODEL	POWER INPUT	JOCKEY PUMP*	P2 MAIN PUMP	P2 JOCKEY PUMP	In A	METER KIT
			kW	kW		
1 KDN 65-160/153 11	3x400 V ~	JET 251 T	11	1,85	19,4	KDN 65 EN 12845

## KDN EN 12845 DIESEL ENGINE-DRIVEN PUMP

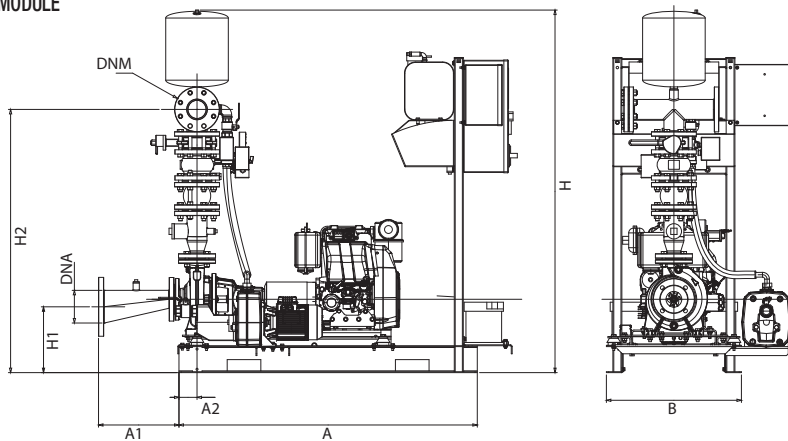
MODEL	BATTERY CHARGER POWER INPUT	JOCKEY PUMP*	** P2 DIESEL ENGINE - DRIVEN PUMP	P2 JOCKEY PUMP	METER KIT	FAN SURFACE
			kW	kW		
1 KDN 65-160/153 MD	3x230-400 V ~	JET 251 T	11	1,85	KDN 65 EN 12845	0,22 m²

\* Jockey pump on request.

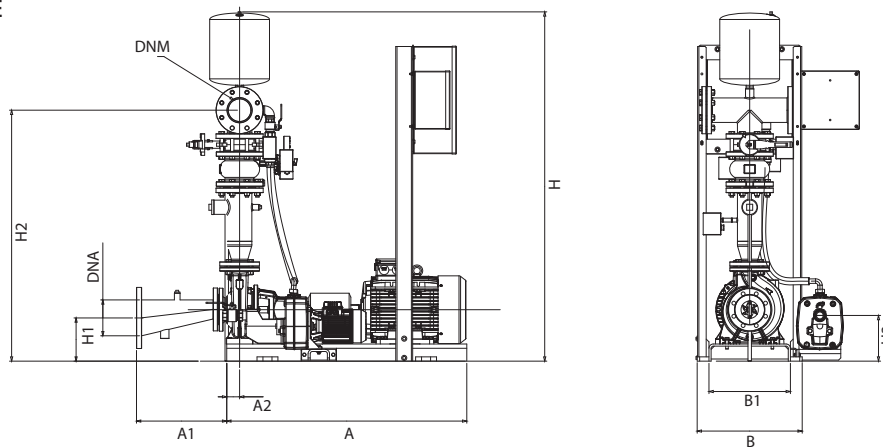
\*\* ISO 3046 continuous power The motor is capable of delivering 10 % more of the power requested by the pump.

The performance curves are based on kinematic viscosity values = 1 mm²/s and density equal to 1000 kg/m³. Curve tolerance according to ISO 9906.

### DIESEL ENGINE-DRIVEN PUMP MODULE



### ELECTRIC PUMP MODULE

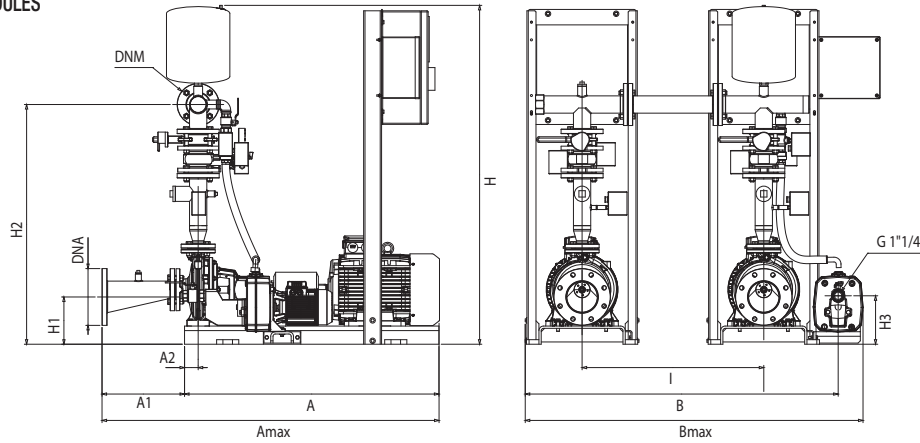


The dashed components are not included in the standard supply.

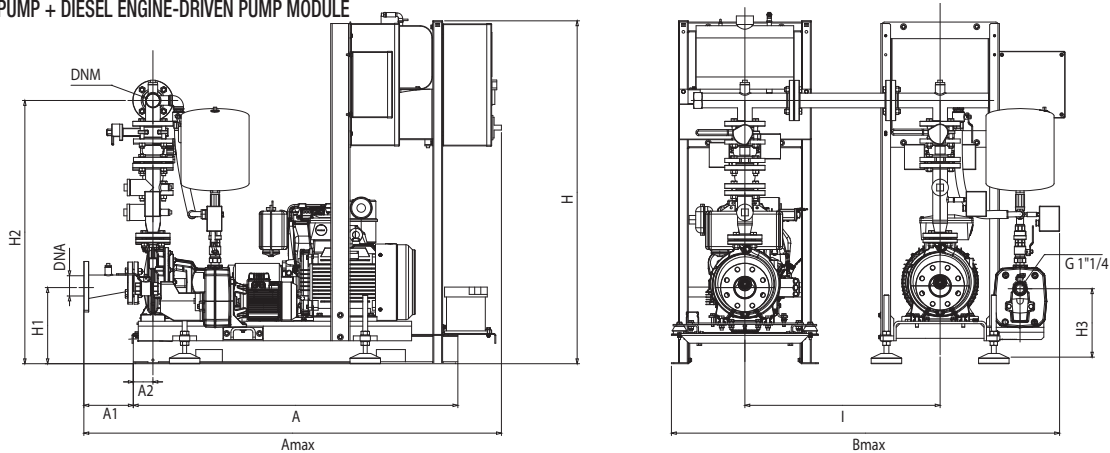
# 1 KDN 65-160/153 - UNI EN 12845 FIRE-FIGHTING PUMP SETS

FIRE-FIGHTING PUMP SETS

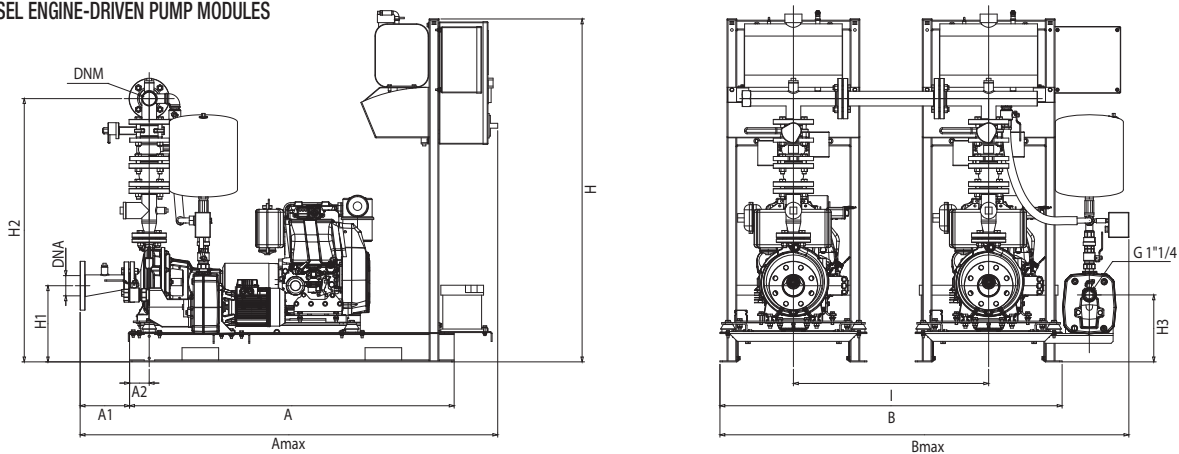
## 2 ELECTRIC PUMP MODULES



## ELECTRIC PUMP + DIESEL ENGINE-DRIVEN PUMP MODULE



## 2 DIESEL ENGINE-DRIVEN PUMP MODULES



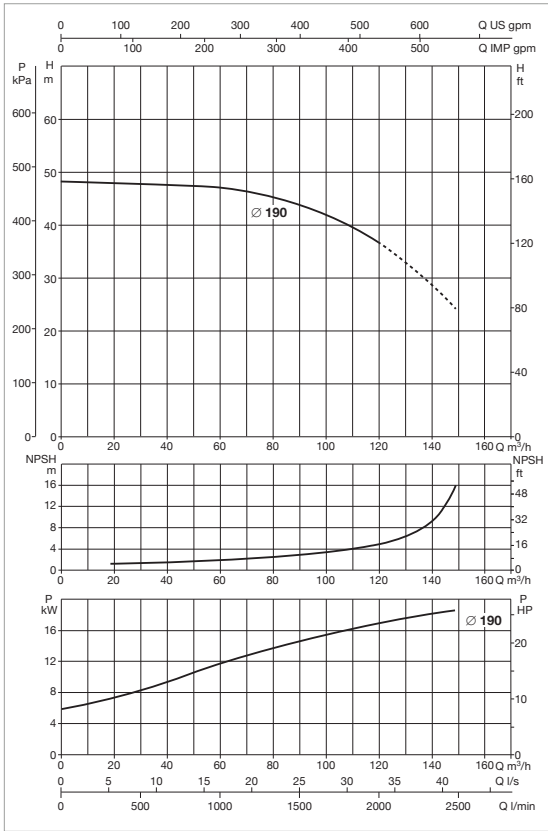
The dashed components are not included in the standard supply.

MODEL	A	A1	A2	A max	B	B1	B max	H	H1	H2	H3	H5	I	DNA	DNM	WEIGHT without jockey pump kg	WEIGHT with jockey pump kg
<b>1 KDN 65-160/153 - DIESEL ENGINE DRIVEN PUMP MODULE</b>	1330	400	81	1901	602	-	841	1847	290	1391	274	-	-	150	100	376	399
<b>1 KDN 65-160/153 - ELECTRIC PUMP MODULE</b>	1120	421	60	1543	490	380	762	1760	202	1301	213	-	-	150	100	487	510
<b>1 KDN 65-160/153 - 2 ELECTRIC PUMP MODULES</b>	1120	421	60	1543	1480	-	1752	1760	202	1301	213	-	800	150	100	974	997
<b>1 KDN 65-160/153 - ELECTRIC PUMP + DIESEL ENGINE DRIVEN PUMP MODULE</b>	1330	400	81	1901	1704	-	1943	1847	290	1391	274	-	800	150	100	863	886
<b>1 KDN 65-160/153 - 2 DIESEL ENGINE DRIVEN PUMP MODULES</b>	1330	400	81	1901	1704	-	1943	1847	290	1391	274	-	800	150	100	752	775



# 1 KDN 65-200/190 - UNI EN 12845 FIRE-FIGHTING PUMP SETS

Pumped liquid temperature range: from -15 °C to +70 °C - Maximum ambient temperature: from +4 °C to +40 °C



## KDN UNI EN 12845 ELECTRIC PUMP

MODEL	POWER INPUT	JOCKEY PUMP*	P2 MAIN PUMP	P2 JOCKEY PUMP	In A	METER KIT
			kW	kW		
1 KDN 65-200/190 18,5	3x400 V ~	JET 251 T	18,5	1,85	32	KDN 65 EN 12845

## KDN UNI EN 12845 DIESEL ENGINE-DRIVEN PUMP

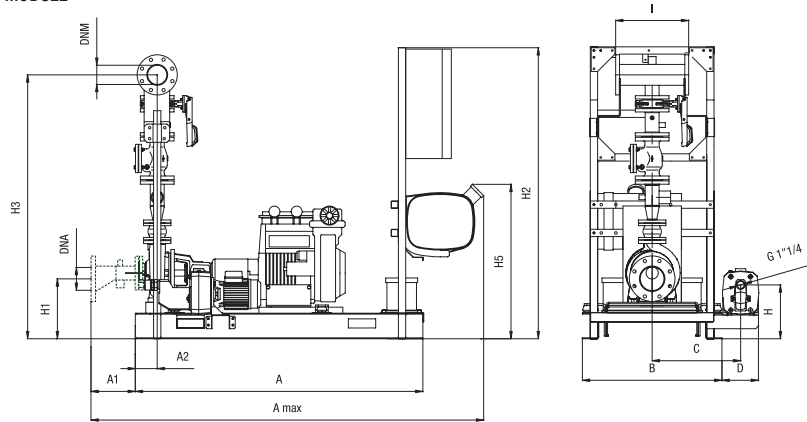
MODEL	BATTERY CHARGER POWER INPUT	JOCKEY PUMP*	** P2 DIESEL ENGINE - DRIVEN PUMP	P2 JOCKEY PUMP	METER KIT	FAN SURFACE
			kW	kW		
1 KDN 65-200/190 MD	3x230-400 V ~	JET 251 T	19	1,85	KDN 65 EN 12845	0,22 m²

\* Jockey pump on request.

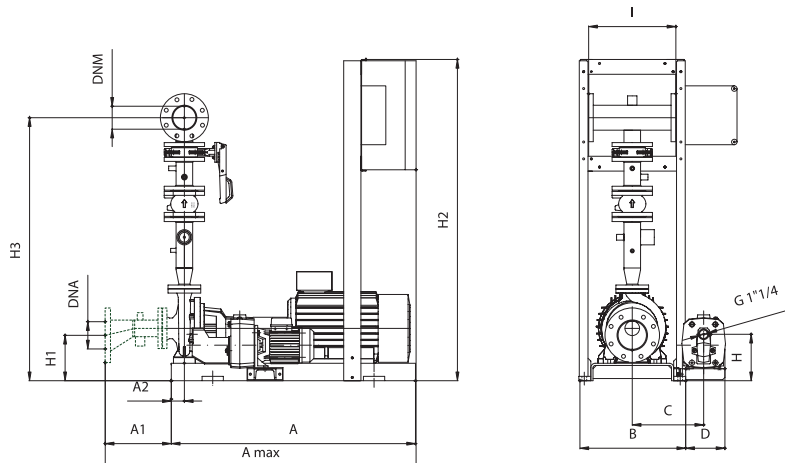
\*\* ISO 3046 continuous power The motor is capable of delivering 10 % more of the power requested by the pump.

The performance curves are based on kinematic viscosity values = 1 mm²/s and density equal to 1000 kg/m³. Curve tolerance according to ISO 9906.

### DIESEL ENGINE-DRIVEN PUMP MODULE



### ELECTRIC PUMP MODULE

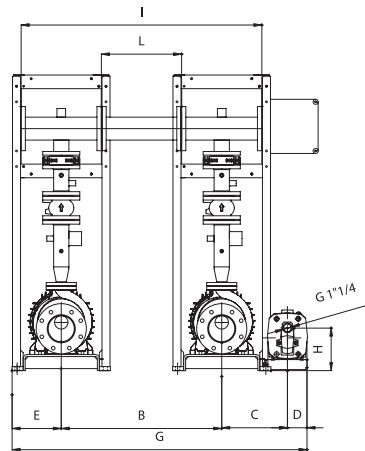
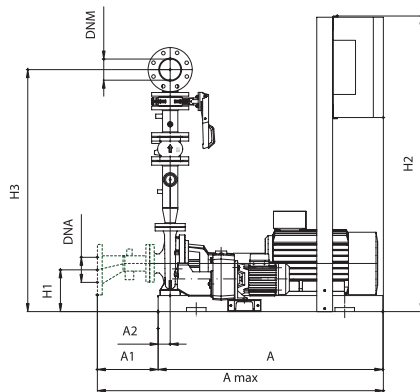


The dashed components are not included in the standard supply.

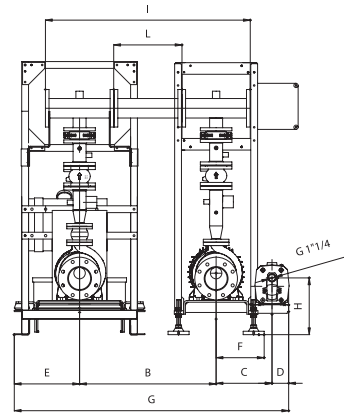
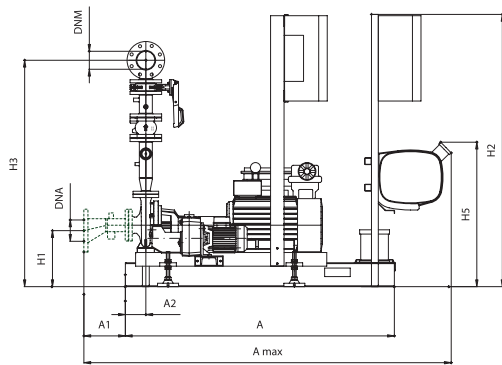
# 1 KDN 65-200/190 - UNI EN 12845 FIRE-FIGHTING PUMP SETS

FIRE-FIGHTING PUMP SETS

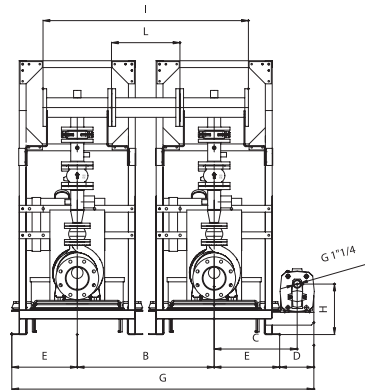
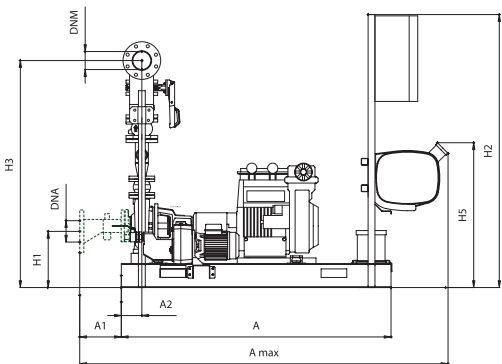
## 2 ELECTRIC PUMP MODULES



## ELECTRIC PUMP + DIESEL ENGINE-DRIVEN PUMP MODULE



## 2 DIESEL ENGINE-DRIVEN PUMP MODULES



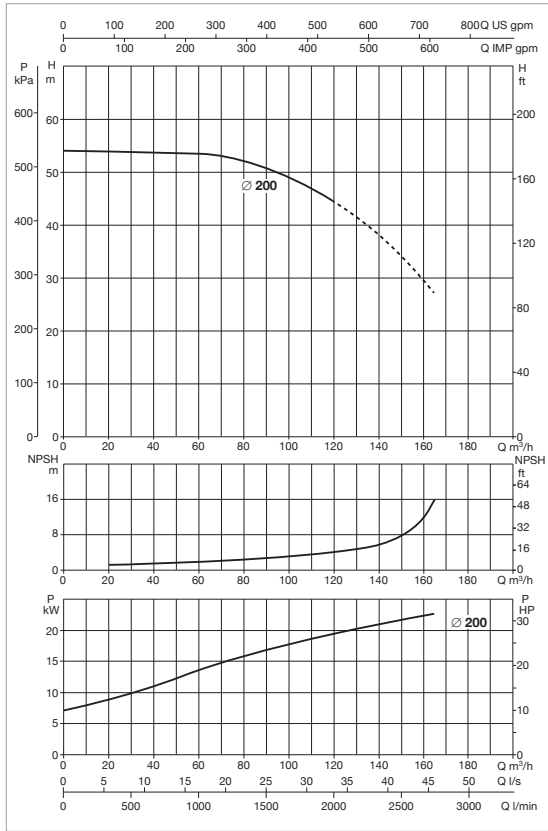
The dashed components are not included in the standard supply.

MODEL	A	A1	A2	A max	B	B1	B max	H	H1	H2	H3	H5	I	DNA	DNM	WEIGHT without jockey pump kg	WEIGHT with jockey pump kg
<b>1 KDN 65-200/190 - DIESEL ENGINE DRIVEN PUMP MODULE</b>	1576	365	117	2342	765	-	991	1912	331	1456	266	844	-	150	100	585	606
<b>1 KDN 65-200/190 - ELECTRIC PUMP MODULE</b>	1175	481	75	1601	540	430	812	1802	220	1230	213	-	-	150	100	615	635
<b>1 KDN 65-200/190 - 2 ELECTRIC PUMP MODULES</b>	1175	481	75	1601	1580	-	1852	1802	220	1230	213	-	800	150	100	1230	1250
<b>1 KDN 65-200/190 - ELECTRIC PUMP + DIESEL ENGINE DRIVEN PUMP MODULE</b>	1576	365	117	2342	-	-	2256	1912	331	1456	266	844	800	150	100	1200	1220
<b>1 KDN 65-200/190 - 2 DIESEL ENGINE DRIVEN PUMP MODULES</b>	1576	365	117	2342	-	-	2256	1912	331	1456	266	844	800	150	100	1170	1191



# 1 KDN 65-200/200 - UNI EN 12845 FIRE-FIGHTING PUMP SETS

Pumped liquid temperature range: from -15 °C to +70 °C - Maximum ambient temperature: from +4 °C to +40 °C



## KDN EN 12845 ELECTRIC PUMP

MODEL	POWER INPUT	JOCKEY PUMP*	P2 MAIN PUMP	P2 JOCKEY PUMP	In A	METER KIT
			kW	kW		
1 KDN 65-200/200 22	3x400 V ~	JET 251 T	22	1,85	38	KDN 65 EN 12845

## KDN EN 12845 DIESEL ENGINE-DRIVEN PUMP

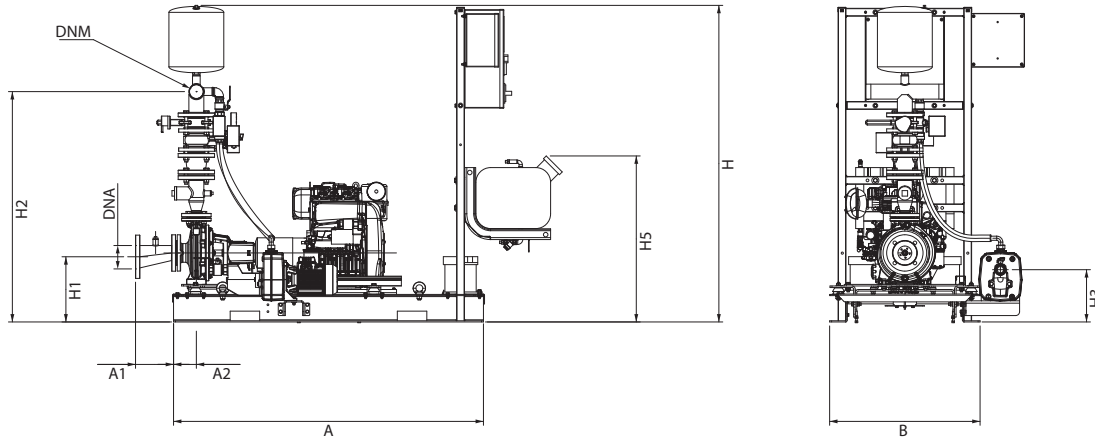
MODEL	BATTERY CHARGER POWER INPUT	JOCKEY PUMP*	** P2 DIESEL ENGINE - DRIVEN PUMP	P2 JOCKEY PUMP	METER KIT	FAN SURFACE
			kW	kW		
1 KDN 65-200/200 MD	3x230-400 V ~	JET 251 T	26	1,85	KDN 65 EN 12845	0,22 m <sup>2</sup>

\* Jockey pump on request.

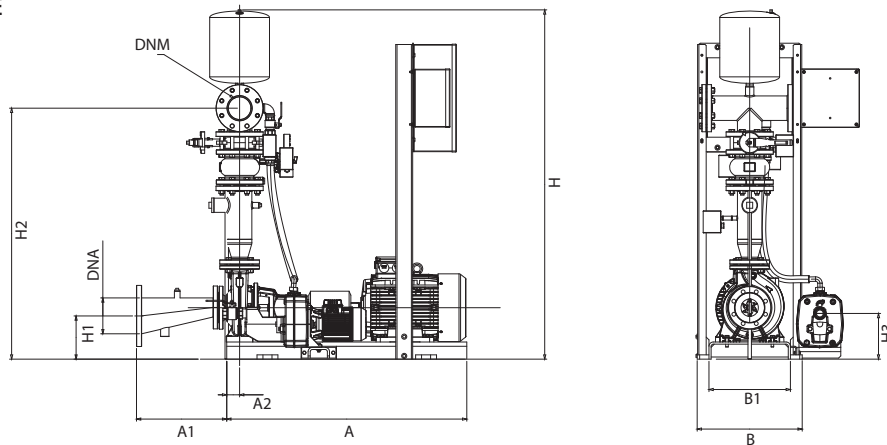
\*\* ISO 3046 continuous power The motor is capable of delivering 10 % more of the power requested by the pump.

The performance curves are based on kinematic viscosity values = 1 mm<sup>2</sup>/s and density equal to 1000 kg/m<sup>3</sup>. Curve tolerance according to ISO 9906.

### DIESEL ENGINE-DRIVEN PUMP MODULE



### ELECTRIC PUMP MODULE

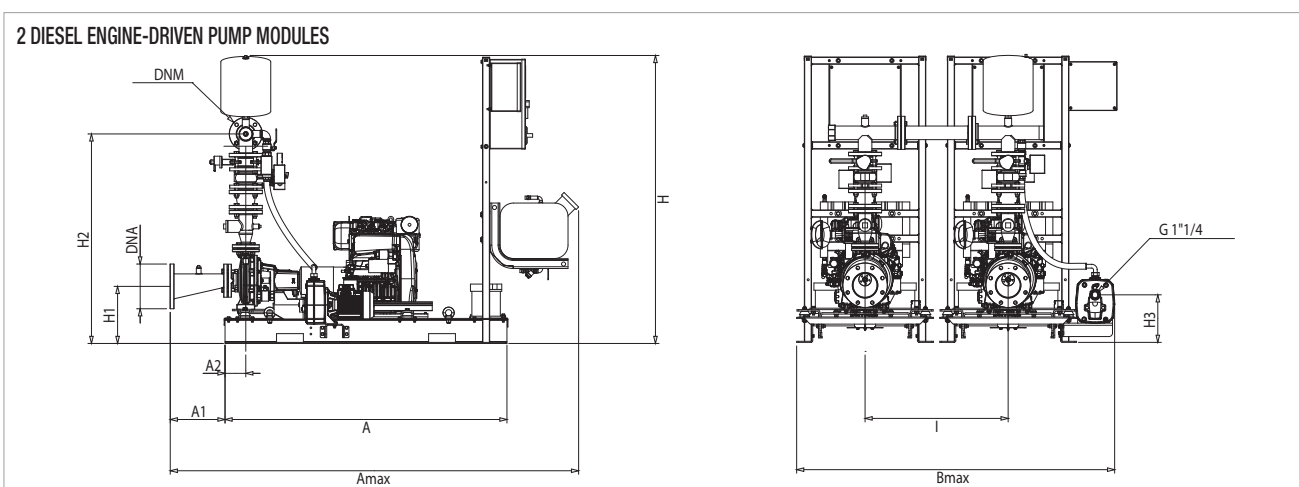
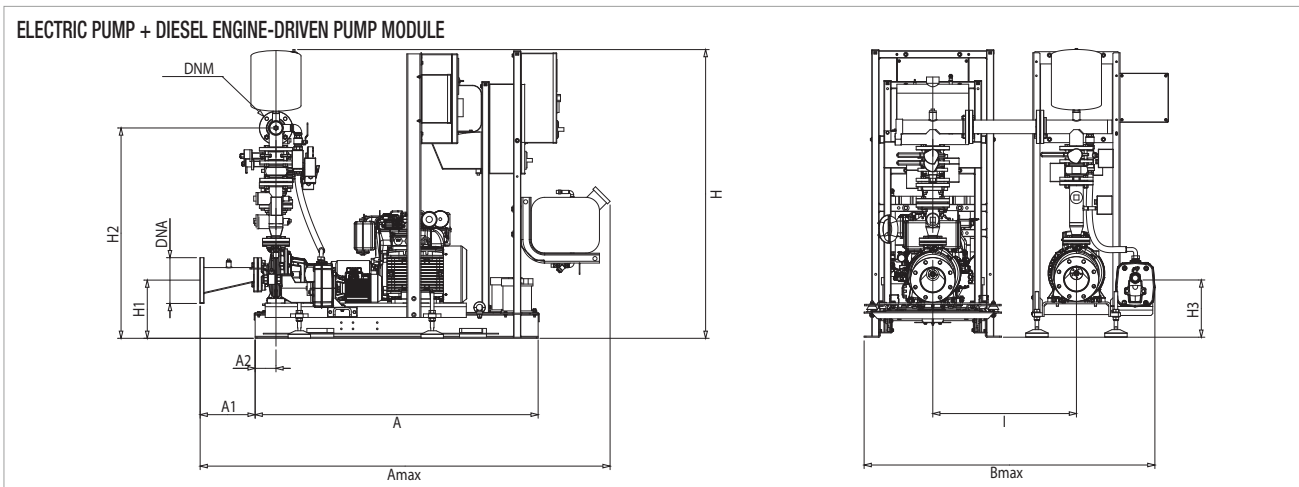
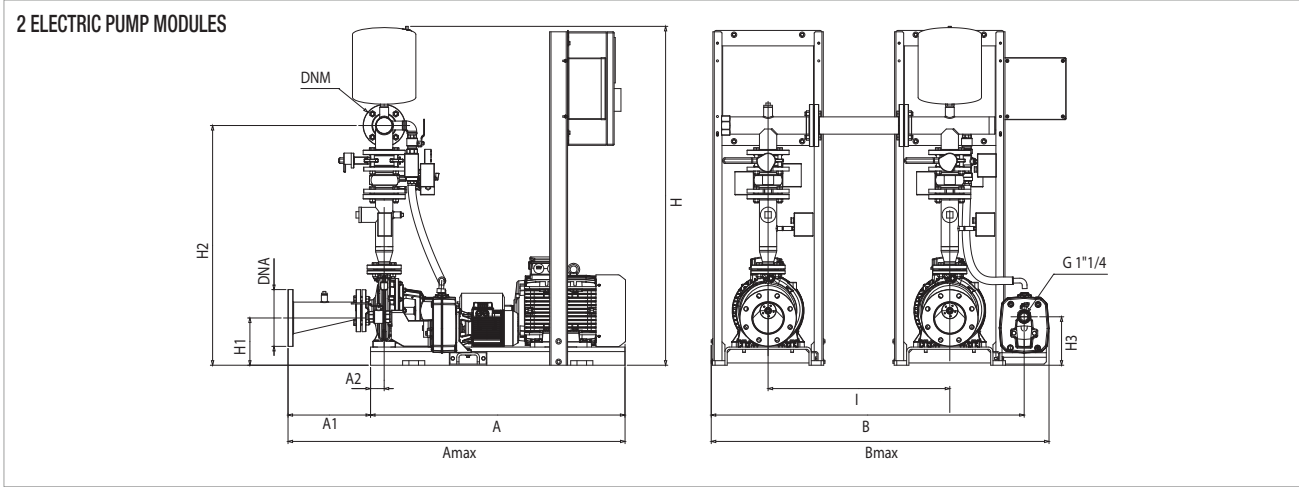


The dashed components are not included in the standard supply.



# 1 KDN 65-200/200 - UNI EN 12845 FIRE-FIGHTING PUMP SETS

FIRE-FIGHTING PUMP SETS



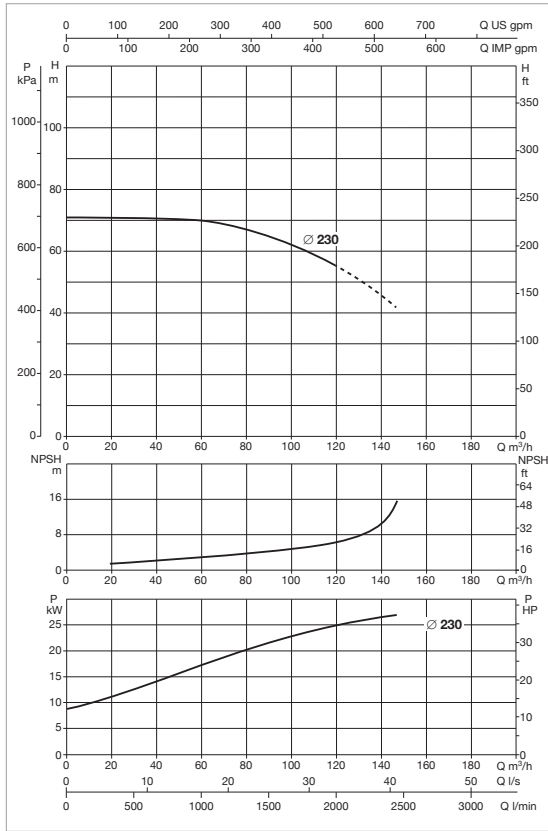
The dashed components are not included in the standard supply.

MODEL	A	A1	A2	A max	B	B1	B max	H	H1	H2	H3	H5	I	DNA	DNM	WEIGHT without jockey pump kg	WEIGHT with jockey pump kg
<b>1 KDN 65-200/200 - DIESEL ENGINE DRIVEN PUMP MODULE</b>	1576	365	117	2342	765	-	991	1912	330	1456	266	844	-	150	100	646	664
<b>1 KDN 65-200/200 - ELECTRIC PUMP MODULE</b>	1260	406	75	1665	540	430	812	1802	220	1343	213	-	-	150	100	637	657
<b>1 KDN 65-200/200 - 2 ELECTRIC PUMP MODULES</b>	1260	406	75	1665	1580	-	1852	1802	220	1343	213	-	800	150	100	1274	1294
<b>1 KDN 65-200/200 - ELECTRIC PUMP + DIESEL ENGINE DRIVEN PUMP MODULE</b>	1576	365	117	2342	-	-	2256	1912	330	1456	266	844	800	150	100	1283	1303
<b>1 KDN 65-200/200 - 2 DIESEL ENGINE DRIVEN PUMP MODULES</b>	1576	365	117	2342	-	-	2256	1912	330	1456	266	844	800	150	100	1292	1310



# 1 KDN 65-250/230 - UNI EN 12845 FIRE-FIGHTING PUMP SETS

Pumped liquid temperature range: from -15 °C to +70 °C - Maximum ambient temperature: from +4 °C to +40 °C



## KDN EN 12845 ELECTRIC PUMP

MODEL	POWER INPUT	JOCKEY PUMP*	P2 MAIN PUMP	P2 JOCKEY PUMP	In A	METER KIT
			kW	kW		
1 KDN 65-250/230 30	3x400 V ~	JET 251 T	30	1,85	52	KDN 65 EN 12845

## KDN EN 12845 DIESEL ENGINE-DRIVEN PUMP

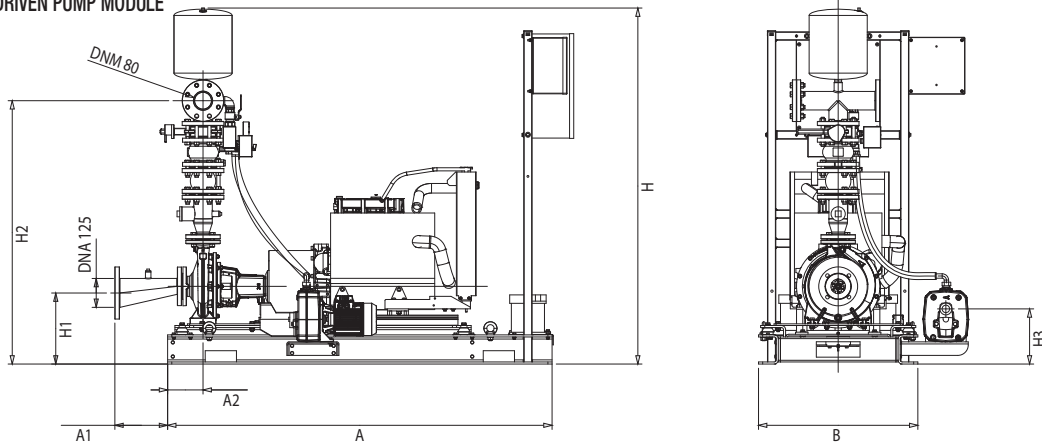
MODEL	BATTERY CHARGER POWER INPUT	JOCKEY PUMP*	** P2 DIESEL ENGINE - DRIVEN PUMP	P2 JOCKEY PUMP	METER KIT	FAN SURFACE
			kW	kW		
1 KDN 65-250/230 MD	3x230-400 V ~	JET 251 T	26	1,85	KDN 65 EN 12845	0,22 m²

\* Jockey pump on request.

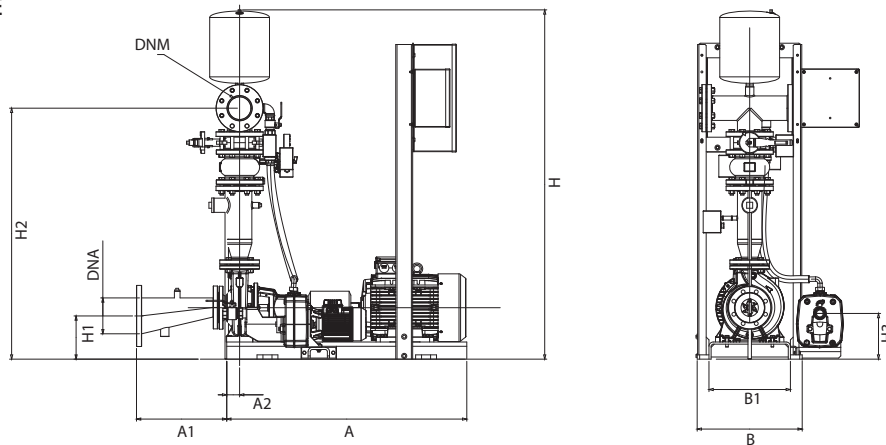
\*\* ISO 3046 continuous power The motor is capable of delivering 10 % more of the power requested by the pump.

The performance curves are based on kinematic viscosity values = 1 mm²/s and density equal to 1000 kg/m³. Curve tolerance according to ISO 9906.

### DIESEL ENGINE-DRIVEN PUMP MODULE



### ELECTRIC PUMP MODULE

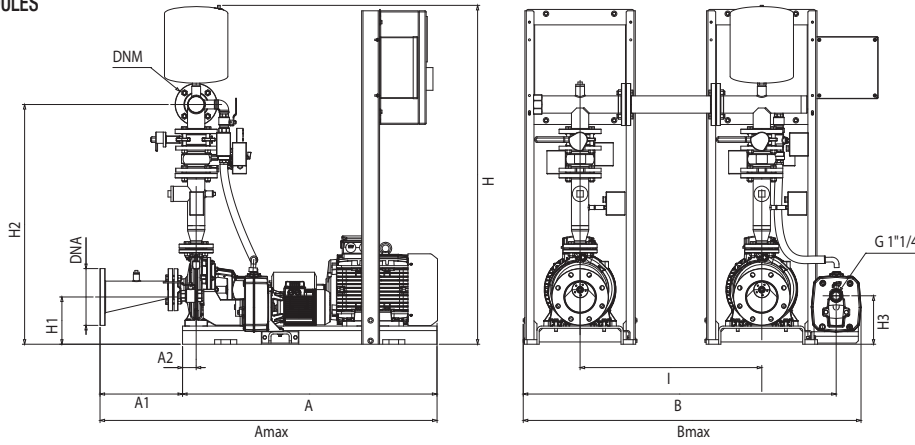


The dashed components are not included in the standard supply.

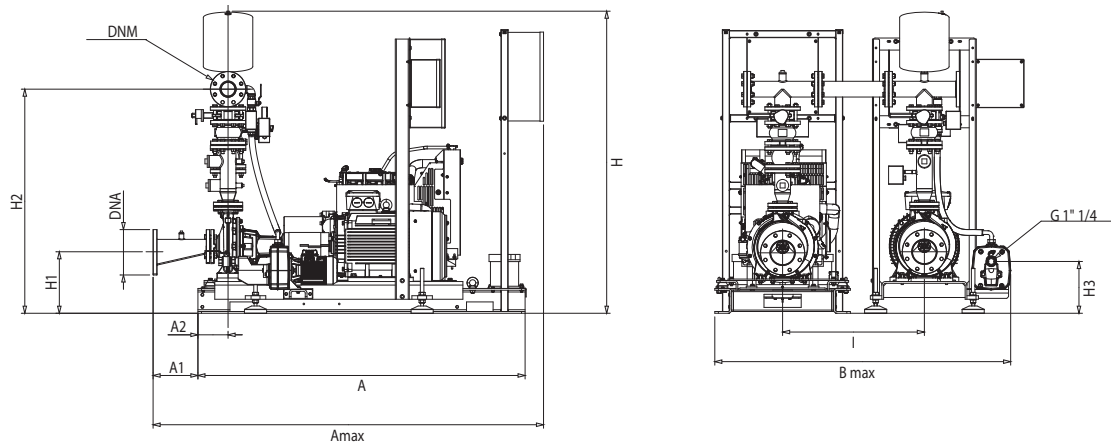
# 1 KDN 65-250/230 - UNI EN 12845 FIRE-FIGHTING PUMP SETS

FIRE-FIGHTING PUMP SETS

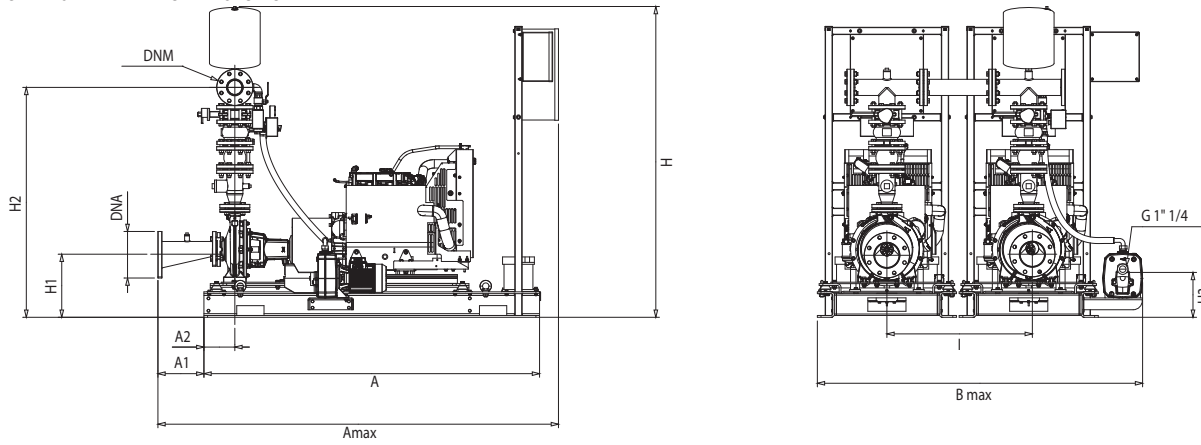
## 2 ELECTRIC PUMP MODULES



## ELECTRIC PUMP + DIESEL ENGINE-DRIVEN PUMP MODULE



## 2 DIESEL ENGINE-DRIVEN PUMP MODULES



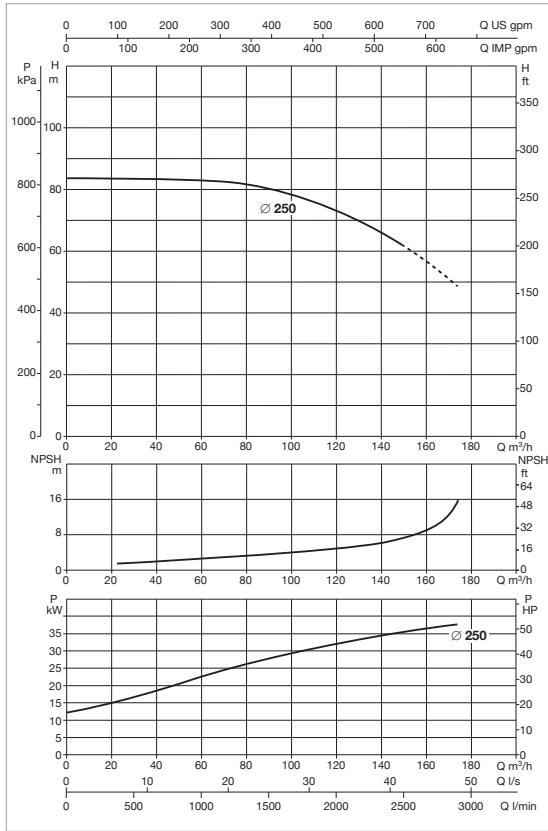
The dashed components are not included in the standard supply.

MODEL	A	A1	A2	A max	B	B1	B max	H	H1	H2	H3	H5	I	DNA	DNM	WEIGHT without jockey pump kg	WEIGHT with jockey pump kg
<b>1 KDN 65-250/230 - DIESEL ENGINE DRIVEN PUMP MODULE</b>	1846	311	170	2558	765	-	1033	1954	353	1502	266	844	-	150	100	734	754
<b>1 KDN 65-250/230 - ELECTRIC PUMP MODULE</b>	1400	391	90	1860	590	480	862	1867	260	1408	213	-	-	150	100	720	720
<b>1 KDN 65-250/230 - 2 ELECTRIC PUMP MODULES</b>	1400	391	90	1860	1680	-	1952	1867	260	1408	213	-	900	150	100	1440	1440
<b>1 KDN 65-250/230 - ELECTRIC PUMP + DIESEL ENGINE DRIVEN PUMP MODULE</b>	1846	311	170	2558	-	-	2298	1954	353	1502	266	844	900	150	100	1454	1454
<b>1 KDN 65-250/230 - 2 DIESEL ENGINE DRIVEN PUMP MODULES</b>	1846	311	170	2558	-	-	2298	1954	353	1502	266	844	900	150	100	1468	1488



# 1 KDN 65-250/250 - UNI EN 12845 FIRE-FIGHTING PUMP SETS

Pumped liquid temperature range: from -15 °C to +70 °C - Maximum ambient temperature: from +4 °C to +40 °C



## KDN EN 12845 ELECTRIC PUMP

MODEL	POWER INPUT	JOCKEY PUMP*	P2 MAIN PUMP	P2 JOCKEY PUMP	In A	METER KIT
			kW	kW		
1 KDN 65-250/250 37	3x400 V ~	KVCX 65/80 T	37	2,2	63	KDN 65 EN 12845

## KDN EN 12845 DIESEL ENGINE-DRIVEN PUMP

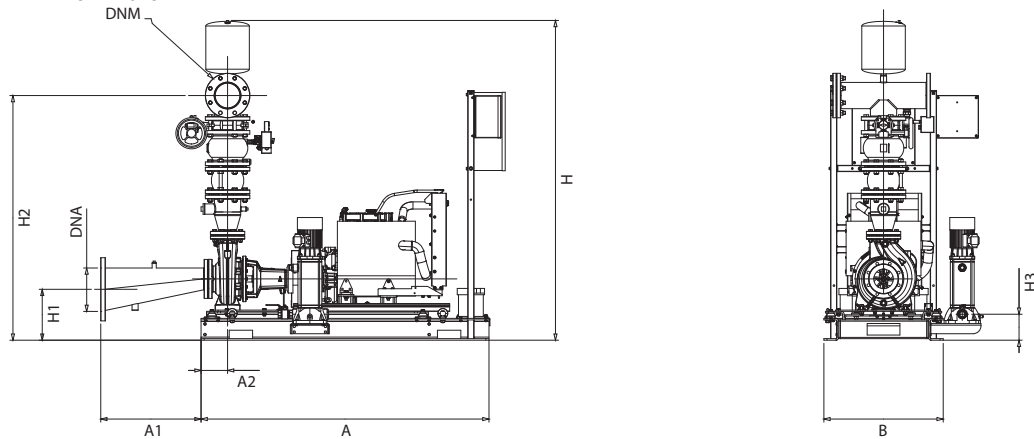
MODEL	BATTERY CHARGER POWER INPUT	JOCKEY PUMP*	** P2 DIESEL ENGINE - DRIVEN PUMP	P2 JOCKEY PUMP	METER KIT	FAN SURFACE
			kW	kW		
1 KDN 65-250/250 MD	3x230-400 V ~	KVCX 65/80 T	37	2,2	KDN 65 EN 12845	0,40 m <sup>2</sup>

\* Jockey pump on request.

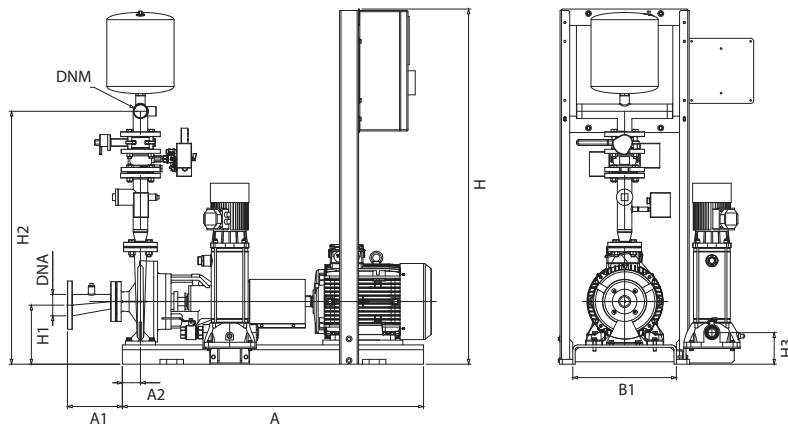
\*\* ISO 3046 continuous power The motor is capable of delivering 10 % more of the power requested by the pump.

The performance curves are based on kinematic viscosity values = 1 mm<sup>2</sup>/s and density equal to 1000 kg/m<sup>3</sup>. Curve tolerance according to ISO 9906.

### DIESEL ENGINE-DRIVEN PUMP MODULE



### ELECTRIC PUMP MODULE

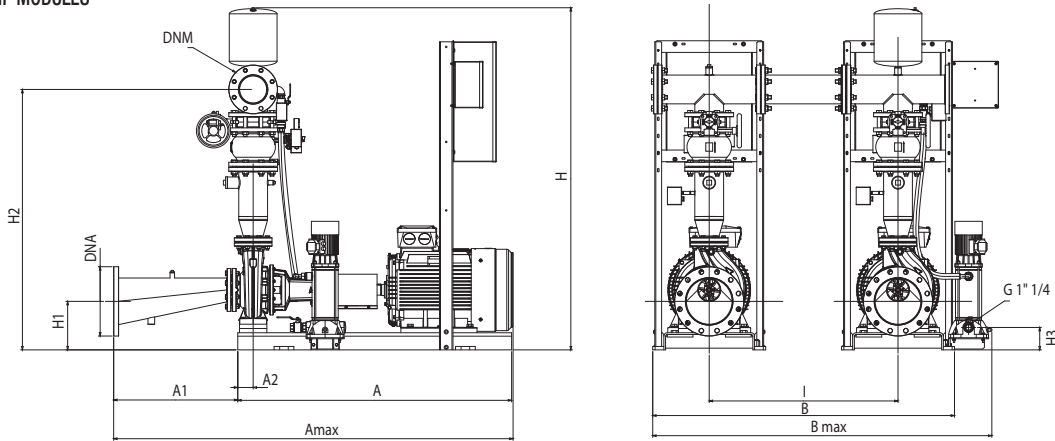


The dashed components are not included in the standard supply.

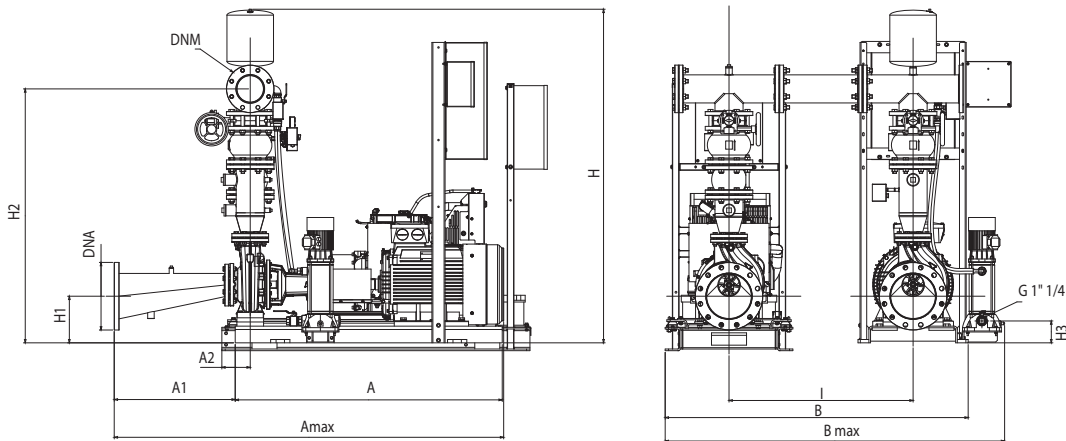
# 1 KDN 65-250/250 - UNI EN 12845 FIRE-FIGHTING PUMP SETS

FIRE-FIGHTING PUMP SETS

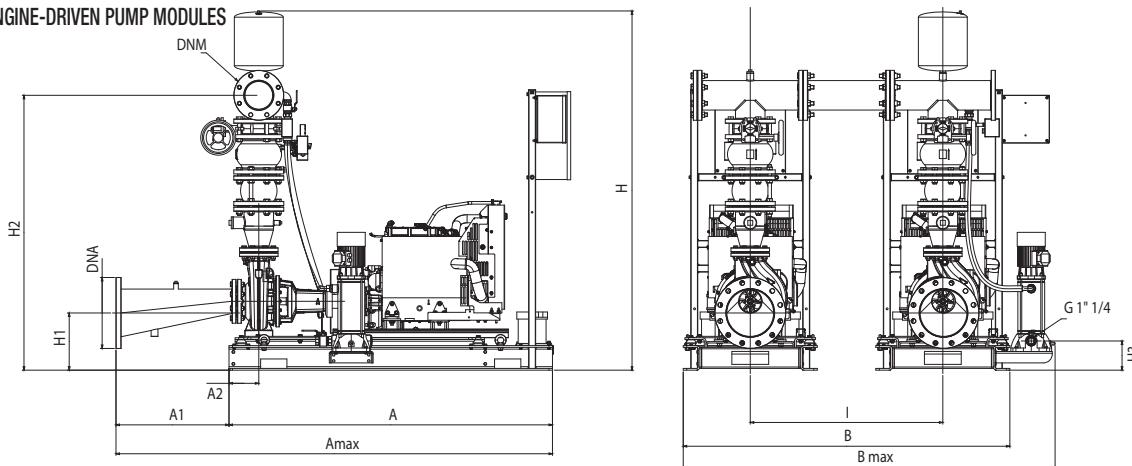
## 2 ELECTRIC PUMP MODULES



## ELECTRIC PUMP + DIESEL ENGINE-DRIVEN PUMP MODULE



## 2 DIESEL ENGINE-DRIVEN PUMP MODULES



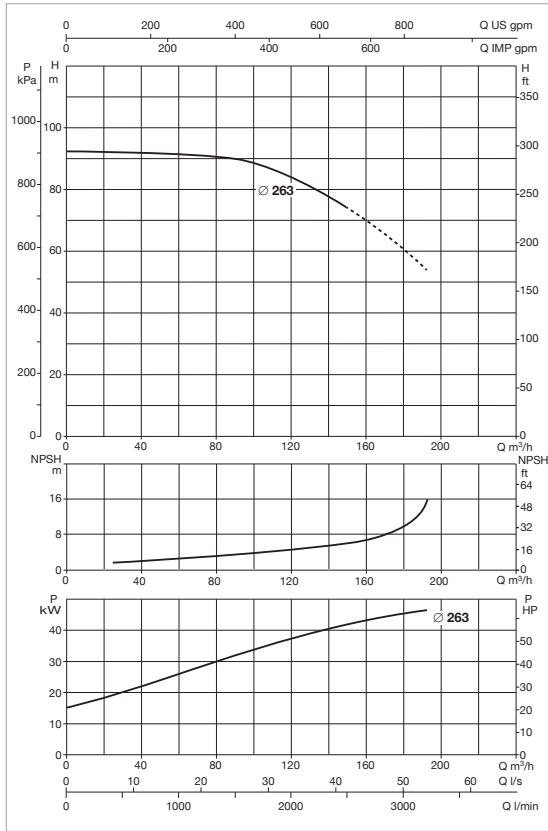
The dashed components are not included in the standard supply.

MODEL	A	A1	A2	A max	B	B1	B max	H	H1	H2	H3	H5	I	DNA	DNM	WEIGHT without jockey pump kg	WEIGHT with jockey pump kg
<b>1 KDN 65-250/250 - DIESEL ENGINE DRIVEN PUMP MODULE</b>	1846	311	170	2260	765	-	991	1954	353	1502	167	-	-	150	100	938	962
<b>1 KDN 65-250/250 - ELECTRIC PUMP MODULE</b>	1325	348	75	1748	590	480	862	1867	266	1408	131	-	-	150	100	921	945
<b>1 KDN 65-250/250 - 2 ELECTRIC PUMP MODULES</b>	1325	348	75	1748	1680	-	1952	1867	266	1408	131	-	900	150	100	1842	1866
<b>1 KDN 65-250/250 - ELECTRIC PUMP + DIESEL ENGINE DRIVEN PUMP MODULE</b>	1846	311	170	2260	-	-	2256	1954	353	1502	167	-	900	150	100	1859	1883
<b>1 KDN 65-250/250 - 2 DIESEL ENGINE DRIVEN PUMP MODULES</b>	1846	311	170	2260	-	-	2256	1954	353	1502	167	-	900	150	100	1876	1900



# 1 KDN 65-250/263 - UNI EN 12845 FIRE-FIGHTING PUMP SETS

Pumped liquid temperature range: from -15 °C to +70 °C - Maximum ambient temperature: from +4 °C to +40 °C



## KDN EN 12845 ELECTRIC PUMP

MODEL	POWER INPUT	JOCKEY PUMP*	P2 MAIN PUMP	P2 JOCKEY PUMP	In A	METER KIT
			kW	kW		
1 KDN 65-250/263 45	3x400 V ~	KVCX 65/80 T	45	2,2	76	KDN 65 EN 12845

## KDN EN 12845 DIESEL ENGINE-DRIVEN PUMP

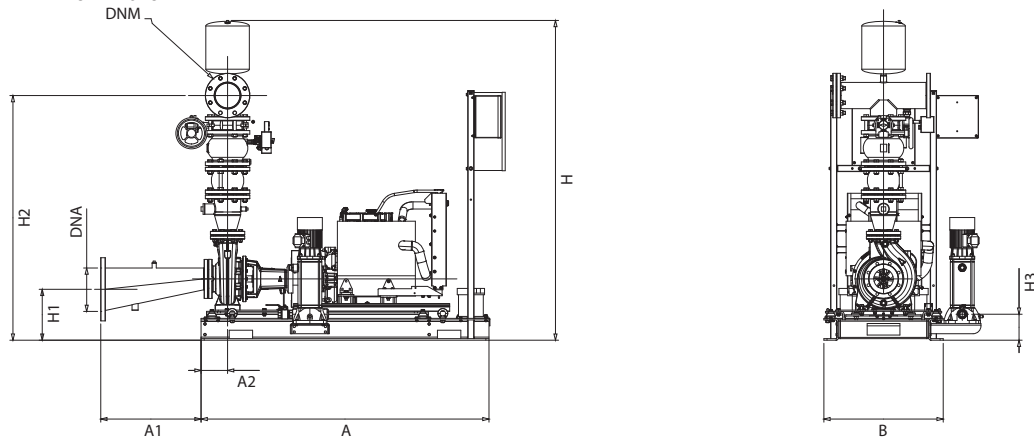
MODEL	BATTERY CHARGER POWER INPUT	JOCKEY PUMP*	** P2 DIESEL ENGINE - DRIVEN PUMP	P2 JOCKEY PUMP	METER KIT	FAN SURFACE
			kW	kW		
1 KDN 65-250/263 MD	3x230-400 V ~	KVCX 65/80 T	53	2,2	KDN 65 EN 12845	0,40 m <sup>2</sup>

\* Jockey pump on request.

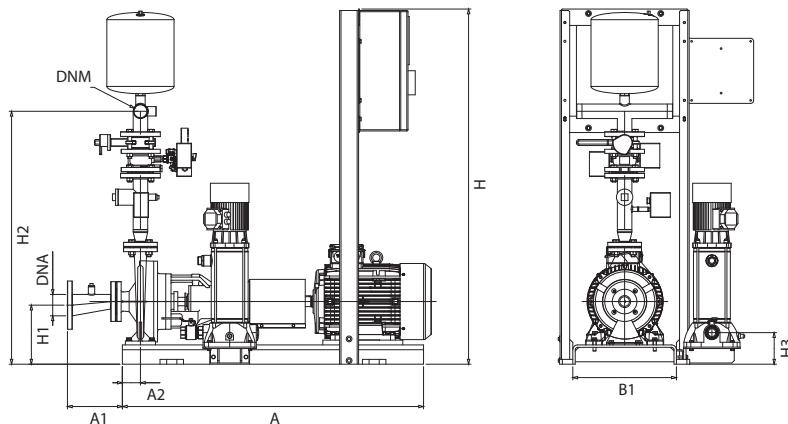
\*\* ISO 3046 continuous power The motor is capable of delivering 10 % more of the power requested by the pump.

The performance curves are based on kinematic viscosity values = 1 mm<sup>2</sup>/s and density equal to 1000 kg/m<sup>3</sup>. Curve tolerance according to ISO 9906.

### DIESEL ENGINE-DRIVEN PUMP MODULE



### ELECTRIC PUMP MODULE

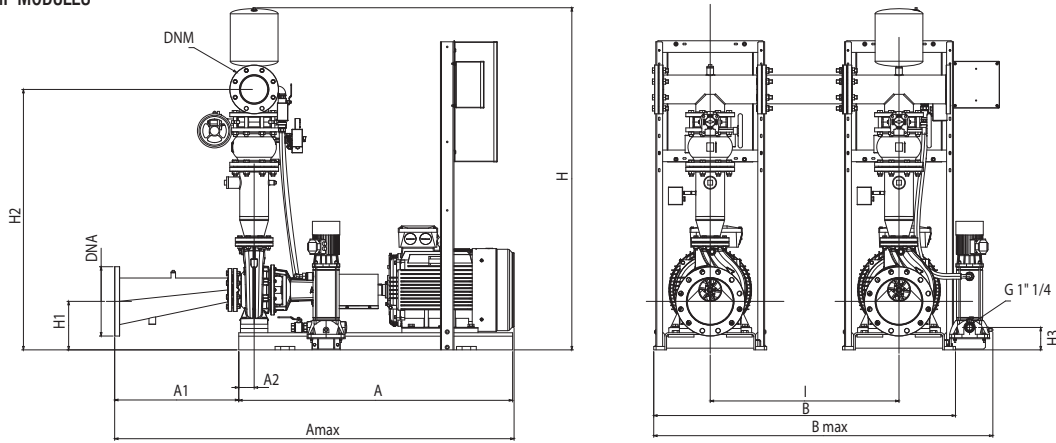


The dashed components are not included in the standard supply.

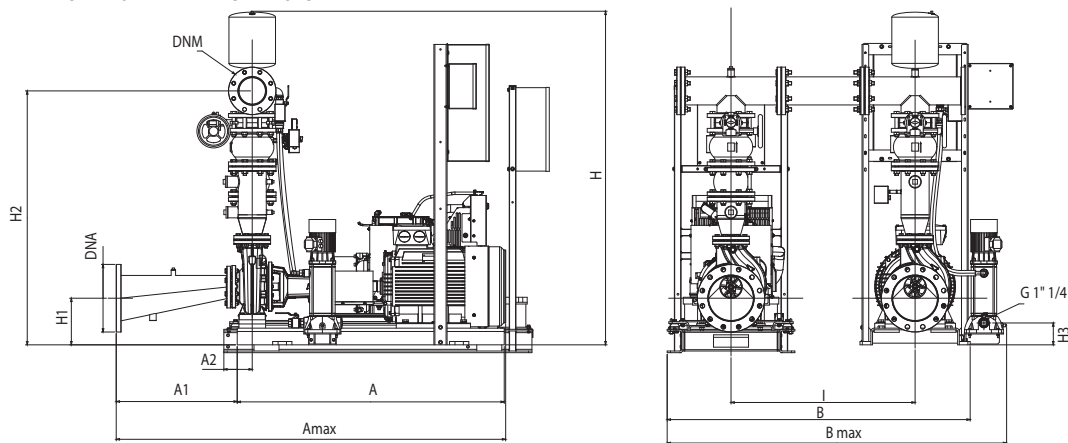
# 1 KDN 65-250/263 - UNI EN 12845 FIRE-FIGHTING PUMP SETS

FIRE-FIGHTING PUMP SETS

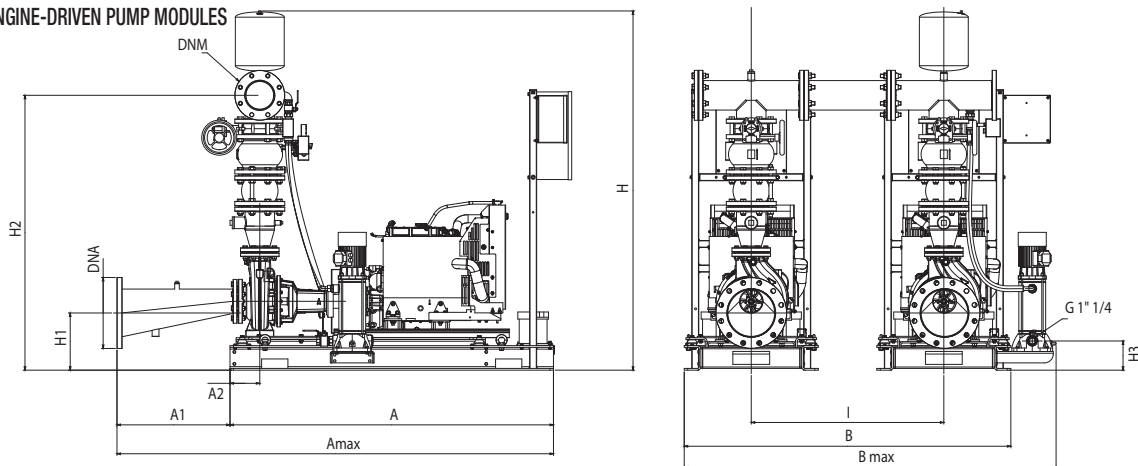
## 2 ELECTRIC PUMP MODULES



## ELECTRIC PUMP + DIESEL ENGINE-DRIVEN PUMP MODULE



## 2 DIESEL ENGINE-DRIVEN PUMP MODULES

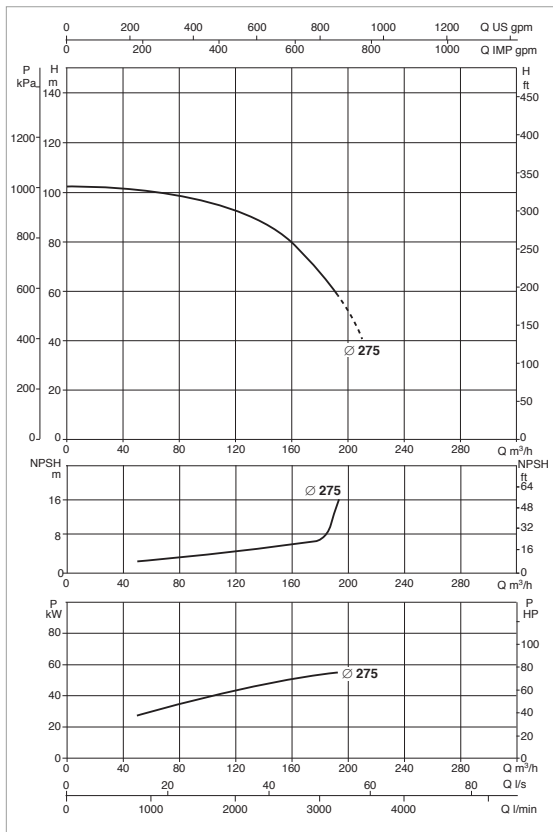


The dashed components are not included in the standard supply.

MODEL	A	A1	A2	A max	B	B1	B max	H	H1	H2	H3	H5	I	DNA	DNM	WEIGHT without jockey pump kg	WEIGHT with jockey pump kg
<b>1 KDN 65-250/263 - DIESEL ENGINE DRIVEN PUMP MODULE</b>	1846	311	170	2260	765	-	991	1954	353	1503	167	-	-	150	100	962	992
<b>1 KDN 65-250/263 - ELECTRIC PUMP MODULE</b>	1517	391	90	1907	590	480	862	1936	285	1433	131	-	-	150	100	945	975
<b>1 KDN 65-250/263 - 2 ELECTRIC PUMP MODULES</b>	1517	391	90	1907	1680	-	1952	1936	285	1433	131	-	900	150	100	1890	1920
<b>1 KDN 65-250/263 - ELECTRIC PUMP + DIESEL ENGINE DRIVEN PUMP MODULE</b>	1846	311	170	2260	-	-	2256	1954	353	1503	167	-	900	150	100	1907	1937
<b>1 KDN 65-250/263 - 2 DIESEL ENGINE DRIVEN PUMP MODULES</b>	1846	311	170	2260	-	-	2256	1954	353	1503	167	-	900	150	100	1924	1954

# 1 KDN 65-315/275 - UNI EN 12845 FIRE-FIGHTING PUMP SETS

Pumped liquid temperature range: from -15 °C to +70 °C - Maximum ambient temperature: from +4 °C to +40 °C



## KDN EN 12845 ELECTRIC PUMP

MODEL	POWER INPUT	JOCKEY PUMP*	P2 MAIN PUMP	P2 JOCKEY PUMP	In A	METER KIT
			kW	kW		
1 KDN 65-315/275 55	3x400 V ~	KV 3/15 T	55	1,85	95	KDN 65 EN 12845

## KDN EN 12845 DIESEL ENGINE-DRIVEN PUMP

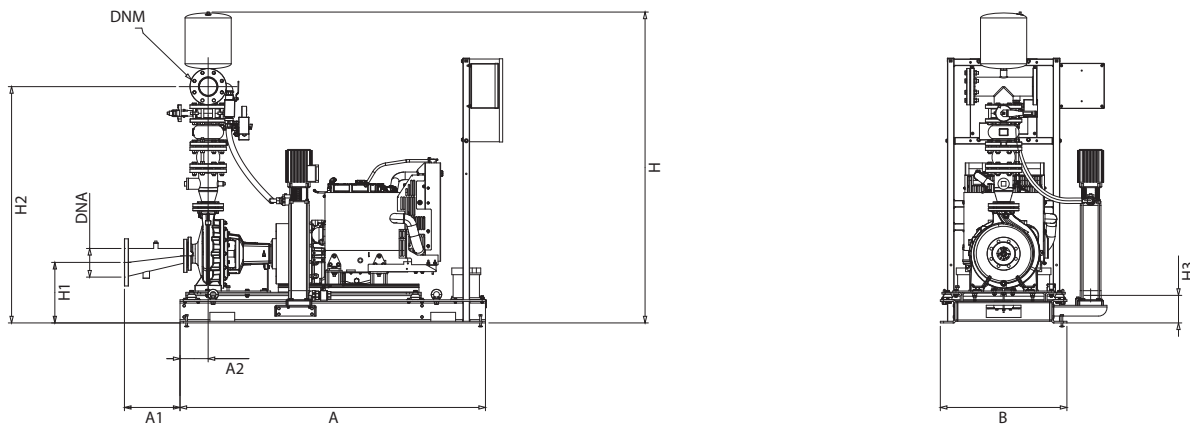
MODEL	BATTERY CHARGER POWER INPUT	JOCKEY PUMP*	** P2 DIESEL ENGINE - DRIVEN PUMP	P2 JOCKEY PUMP	METER KIT	FAN SURFACE
			kW	kW		
1 KDN 65-315/275 MD	3x230-400 V ~	KV 3/15 T	53	1,85	KDN 65 EN 12845	0,40 m²

\* Jockey pump on request.

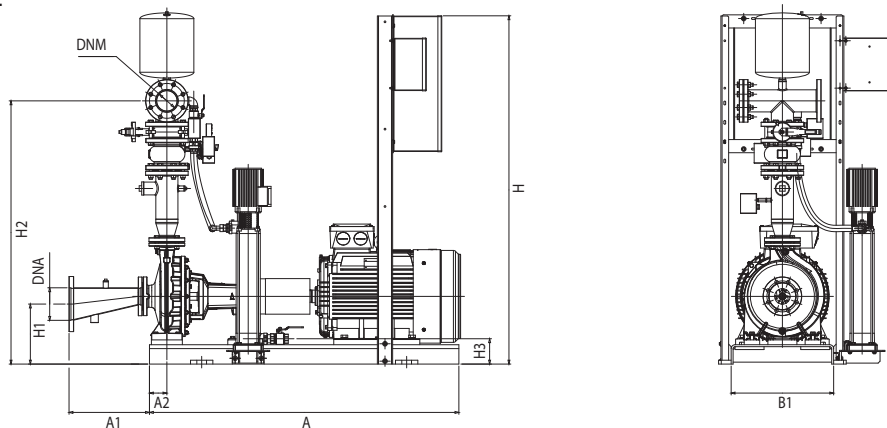
\*\* ISO 3046 continuous power The motor is capable of delivering 10 % more of the power requested by the pump.

The performance curves are based on kinematic viscosity values = 1 mm²/s and density equal to 1000 kg/m³. Curve tolerance according to ISO 9906.

### DIESEL ENGINE-DRIVEN PUMP MODULE



### ELECTRIC PUMP MODULE

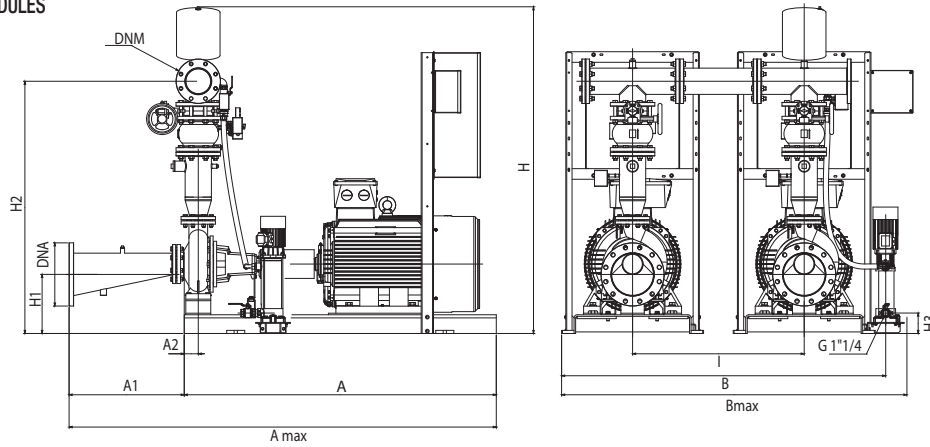




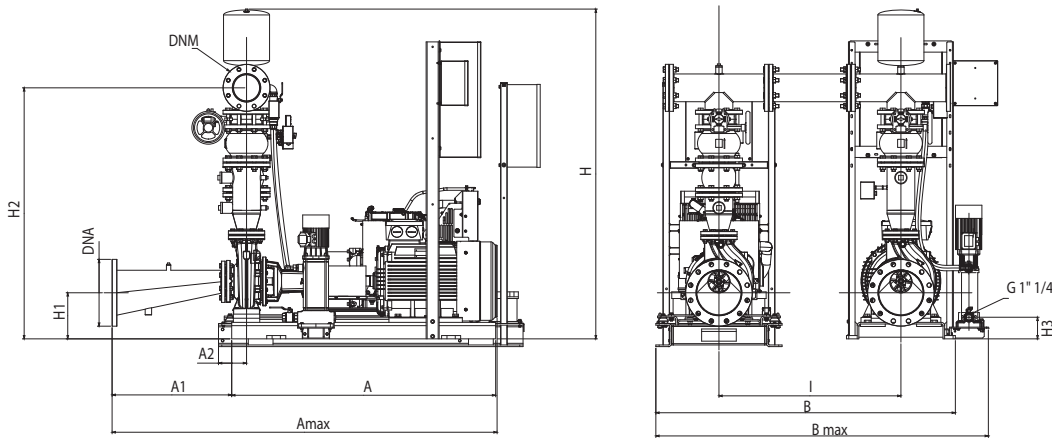
# 1 KDN 65-315/275 - UNI EN 12845 FIRE-FIGHTING PUMP SETS

FIRE-FIGHTING PUMP SETS

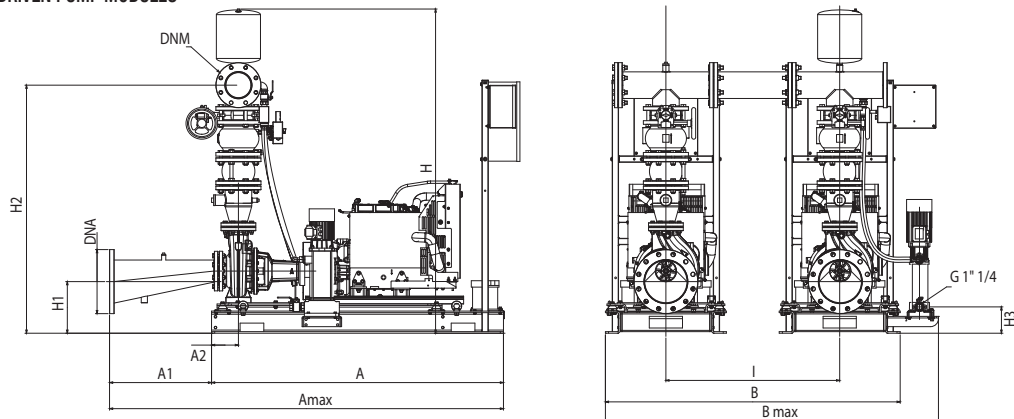
## 2 ELECTRIC PUMP MODULES



## ELECTRIC PUMP + DIESEL ENGINE-DRIVEN PUMP MODULE



## 2 DIESEL ENGINE-DRIVEN PUMP MODULES

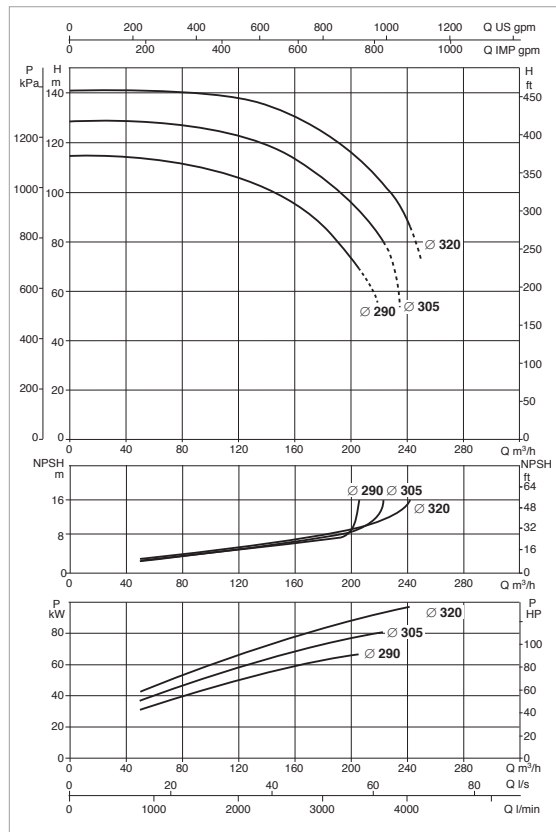


The dashed components are not included in the standard supply.

MODEL	A	A1	A2	A max	B	B1	B max	H	H1	H2	H3	H4	H5	I	DNA	DNM	WEIGHT without jockey pump kg	WEIGHT with jockey pump kg
<b>1 KDN 65-315/275 - DIESEL ENGINE DRIVEN PUMP MODULE</b>	1846	311	170	2260	765	-	991	2009	366	1558	167	-	-	-	150	100	1038	1077
<b>1 KDN 65-315/275 - ELECTRIC PUMP MODULE</b>	1600	416	90	2021	640	530	917	1931	310	1491	131	-	-	-	150	100	1021	1060
<b>1 KDN 65-315/275 - 2 ELECTRIC PUMP MODULES</b>	1600	416	90	2021	1780	-	2057	1931	310	1491	131	-	-	900	150	100	2042	2081
<b>1 KDN 65-315/275 - ELECTRIC PUMP + DIESEL ENGINE DRIVEN PUMP MODULE</b>	1846	311	170	2260	-	-	2256	2009	366	1558	167	-	-	900	150	100	2059	2098
<b>1 KDN 65-315/275 - 2 DIESEL ENGINE DRIVEN PUMP MODULES</b>	1846	311	170	2260	-	-	2256	2009	366	1558	167	-	-	900	150	100	2076	2115

# 1 KDN 65-315/290-305-320 - UNI EN 12845 FIRE-FIGHTING PUMP SETS

Pumped liquid temperature range: from -15 °C to +70 °C - Maximum ambient temperature: from +4 °C to +40 °C



## KDN EN 12845 ELECTRIC PUMP

MODEL	POWER INPUT	JOCKEY PUMP*	P2 MAIN PUMP	P2 JOCKEY PUMP	In A	METER KIT
			kW	kW		
1 KDN 65-315/290 75	3x400 V ~	KV 3/15 T	75	1,85	124	KDN 65 EN 12845
1 KDN 65-315/305 90	3x400 V ~	KV 3/18 T	90	2,2	148	KDN 65 EN 12845
1 KDN 65-315/320 110	3x400 V ~	KV 3/18 T	110	2,2	184	KDN 65 EN 12845

## KDN EN 12845 DIESEL ENGINE-DRIVEN PUMP

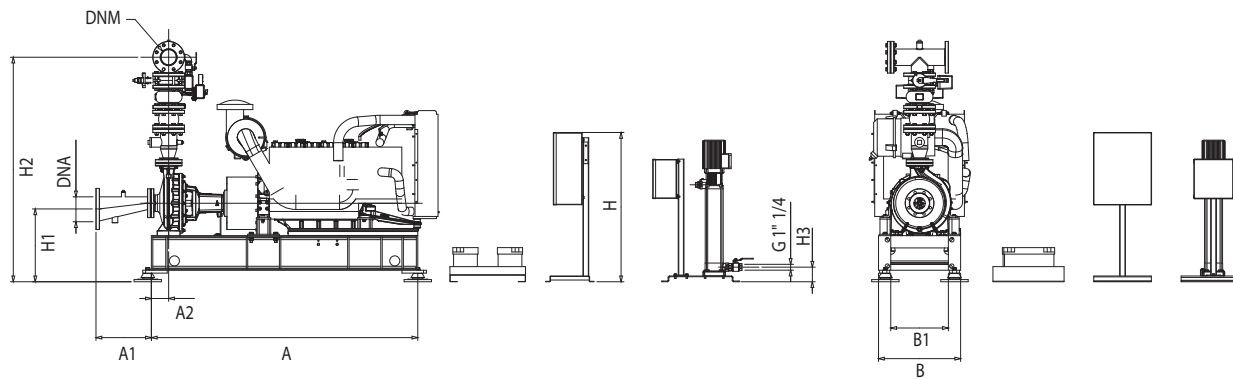
MODEL	BATTERY CHARGER POWER INPUT	JOCKEY PUMP*	** P2 DIESEL ENGINE - DRIVEN PUMP	P2 JOCKEY PUMP	METER KIT	FAN SURFACE
			kW	kW		
1 KDN 65-315/290 MD	3x230-400 V ~	KV 3/15 T	110	1,85	KDN 65 EN 12845	0,40 m²
1 KDN 65-315/305 MD	3x230-400 V ~	KV 3/18 T	110	2,2	KDN 65 EN 12845	0,40 m²
1 KDN 65-315/320 MD	3x230-400 V ~	KV 3/18 T	110	2,2	KDN 65 EN 12845	0,40 m²

\* Jockey pump on request.

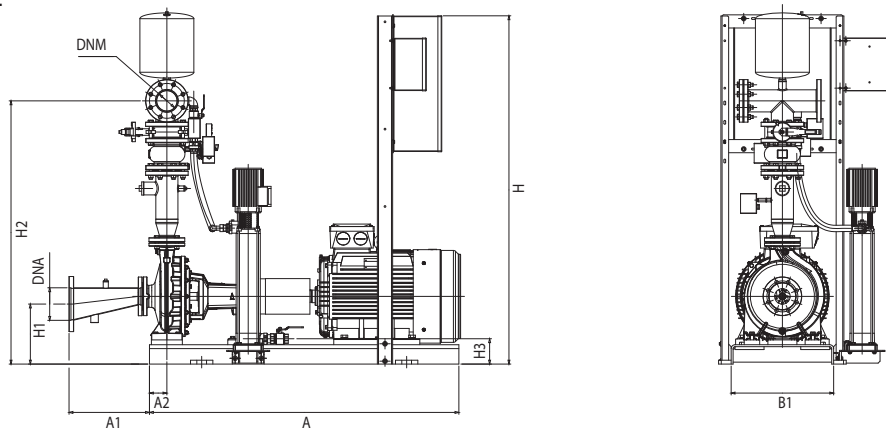
\*\* ISO 3046 continuous power The motor is capable of delivering 10 % more of the power requested by the pump.

The performance curves are based on kinematic viscosity values = 1 mm²/s and density equal to 1000 kg/m³. Curve tolerance according to ISO 9906.

### DIESEL ENGINE-DRIVEN PUMP MODULE



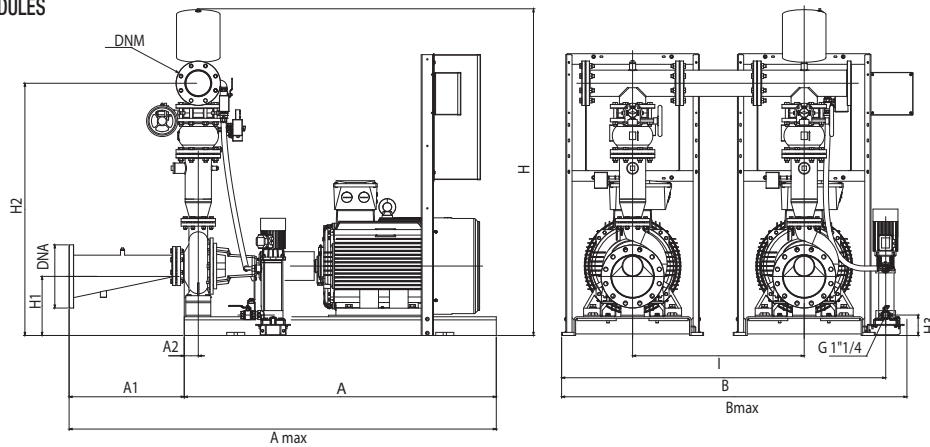
### ELECTRIC PUMP MODULE



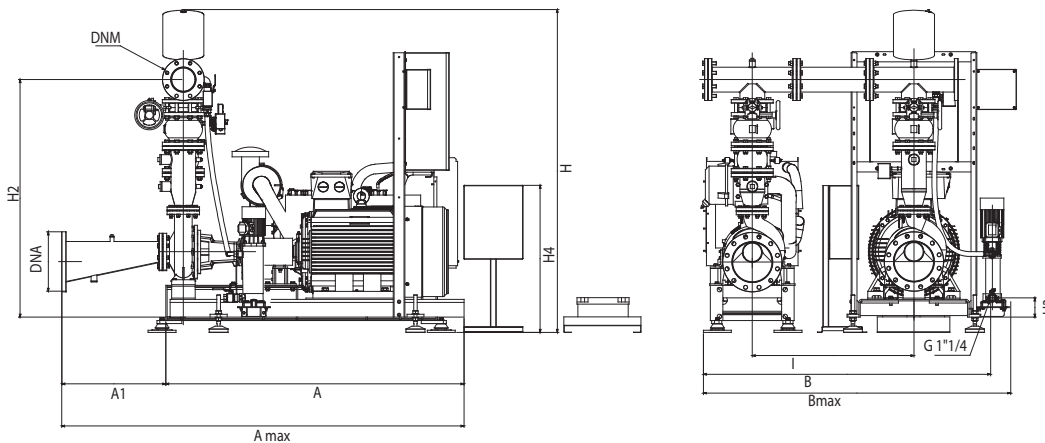
# 1 KDN 65-315/290-305-320 - UNI EN 12845 FIRE-FIGHTING PUMP SETS

FIRE-FIGHTING PUMP SETS

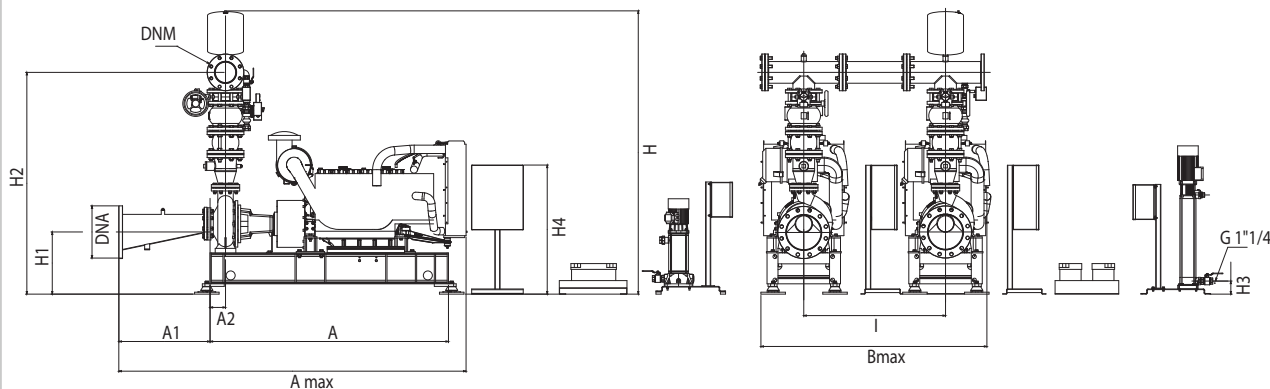
## 2 ELECTRIC PUMP MODULES



## ELECTRIC PUMP + DIESEL ENGINE-DRIVEN PUMP MODULE



## 2 DIESEL ENGINE-DRIVEN PUMP MODULES



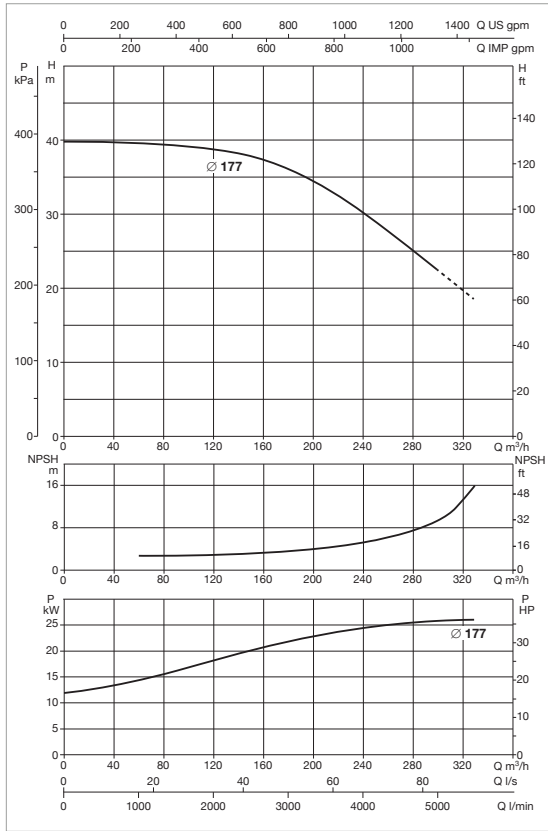
The dashed components are not included in the standard supply.

MODEL	A	A1	A2	A max	B	B1	B max	H	H1	H2	H3	H4	H5	I	DNA	DNM	WEIGHT without jockey pump kg	WEIGHT with jockey pump kg
<b>1 KDN 65-315/290-305-320 - DIESEL ENGINE DRIVEN PUMP MODULE</b>	1850	385	120	2377	570	-	685	1167	506	1689	101	734	-	-	150	100	1957	1977
<b>1 KDN 65-315/290-305-320 - ELECTRIC PUMP MODULE</b>	2000	416	90	2417	860	750	1152	1931	395	1576	131	734	-	-	150	100	1979	1999
<b>1 KDN 65-315/290-305-320 - 2 ELECTRIC PUMP MODULES</b>	2000	416	90	2417	2220	-	2512	1931	395	1576	131	734	-	900	150	100	3958	3978
<b>1 KDN 65-315/290-305-320 - ELECTRIC PUMP + DIESEL ENGINE DRIVEN PUMP MODULE</b>	1850	385	120	2377	-	-	1755	1931	506	1576	101	734	-	900	150	100	3936	3956
<b>1 KDN 65-315/290-305-320 - 2 DIESEL ENGINE DRIVEN PUMP MODULES</b>	1850	385	120	2377	-	-	1755	1167	506	1689	101	734	-	900	150	100	3914	3934



# 1 KDN 80-160/177 - UNI EN 12845 FIRE-FIGHTING PUMP SETS

Pumped liquid temperature range: from -15 °C to +70 °C - Maximum ambient temperature: from +4 °C to +40 °C



## KDN EN 12845 ELECTRIC PUMP

MODEL	POWER INPUT	JOCKEY PUMP*	P2 MAIN PUMP	P2 JOCKEY PUMP	In A	METER KIT
			kW	kW		
1 KDN 80-160/177 30	3x400 V ~	KVCX 65/80 T	30	2,2	52	KDN 80 EN 12845

## KDN EN 12845 DIESEL ENGINE-DRIVEN PUMP

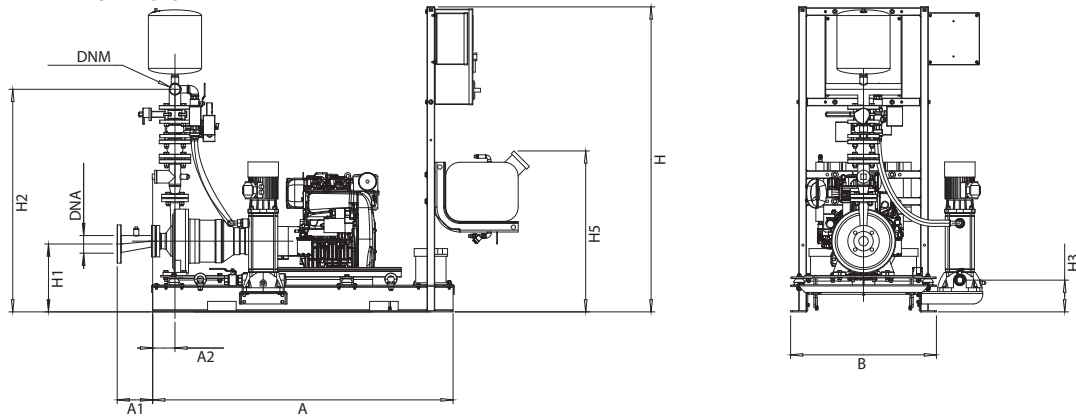
MODEL	BATTERY CHARGER POWER INPUT	JOCKEY PUMP*	** P2 DIESEL ENGINE - DRIVEN PUMP	P2 JOCKEY PUMP	METER KIT	FAN SURFACE
			kW	kW		
1 KDN 80-160/177 MD	3x230-400 V ~	KVCX 65/80 T	26	2,2	KDN 80 EN 12845	0,22 m <sup>2</sup>

\* Jockey pump on request.

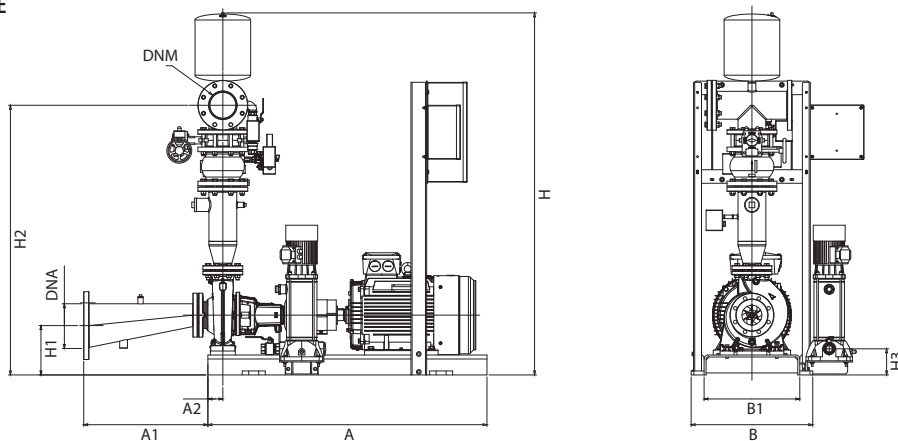
\*\* ISO 3046 continuous power The motor is capable of delivering 10 % more of the power requested by the pump.

The performance curves are based on kinematic viscosity values = 1 mm<sup>2</sup>/s and density equal to 1000 kg/m<sup>3</sup>. Curve tolerance according to ISO 9906.

### DIESEL ENGINE-DRIVEN PUMP MODULE



### ELECTRIC PUMP MODULE

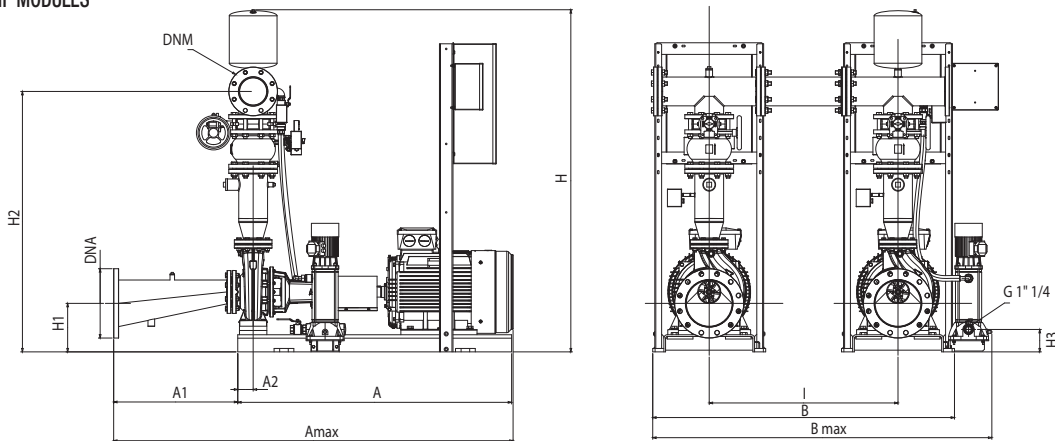


The dashed components are not included in the standard supply.

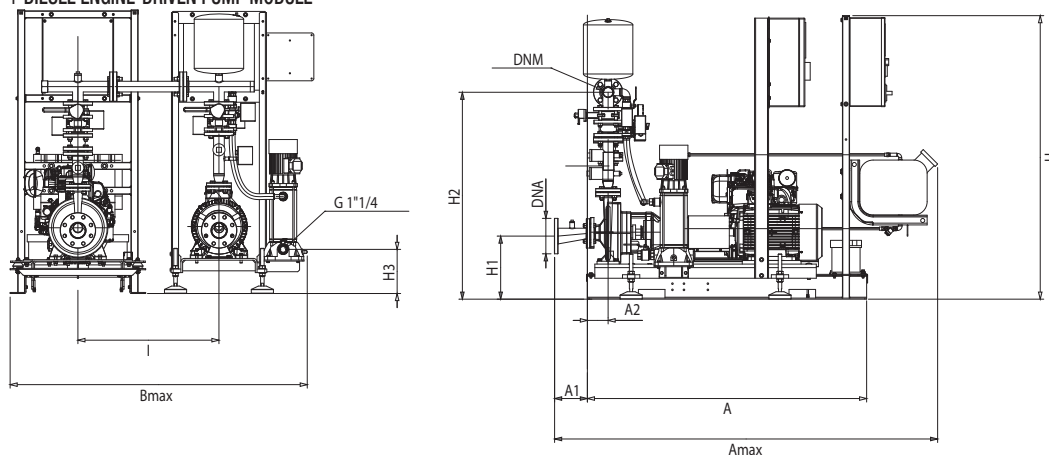
# 1 KDN 80-160/177 - UNI EN 12845 FIRE-FIGHTING PUMP SETS

FIRE-FIGHTING PUMP SETS

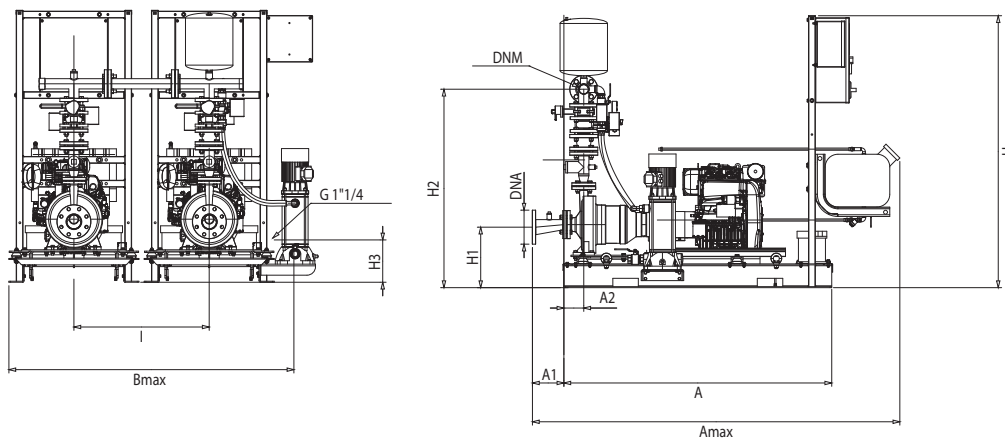
## 2 ELECTRIC PUMP MODULES



## ELECTRIC PUMP + DIESEL ENGINE-DRIVEN PUMP MODULE



## 2 DIESEL ENGINE-DRIVEN PUMP MODULES



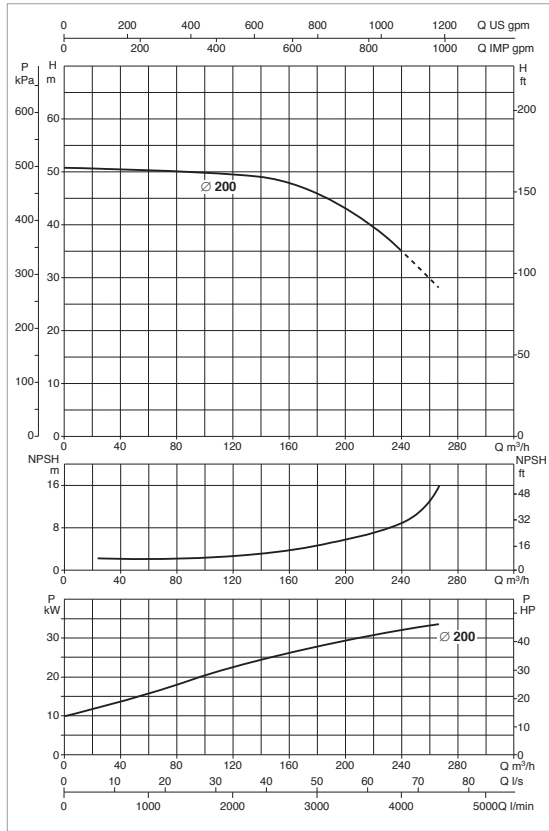
The dashed components are not included in the standard supply.

MODEL	A	A1	A2	A max	B	B1	B max	H	H1	H2	H3	H5	I	DNA	DNM	WEIGHT without jockey pump kg	WEIGHT with jockey pump kg
<b>1 KDN 80-160/177 - DIESEL ENGINE DRIVEN PUMP MODULE</b>	1576	582	117	2559	765	-	1066	1750	319	1572	167	844	-	200	125	734	752
<b>1 KDN 80-160/177 - ELECTRIC PUMP MODULE</b>	1400	623	75	2023	610	480	867	1966	248	1503	131	-	-	200	125	700	748
<b>1 KDN 80-160/177 - 2 ELECTRIC PUMP MODULES</b>	1400	623	75	2023	1720	-	1977	1966	248	1503	131	-	900	200	125	1400	1448
<b>1 KDN 80-160/177 - ELECTRIC PUMP + DIESEL ENGINE DRIVEN PUMP MODULE</b>	1576	582	117	2559	-	-	2331	1966	319	1572	167	844	900	200	125	1434	1482
<b>1 KDN 80-160/177 - 2 DIESEL ENGINE DRIVEN PUMP MODULES</b>	1576	582	117	2559	-	-	2331	1750	319	1572	167	844	900	200	125	1468	1486



# 1 KDN 80-200/200 - UNI EN 12845 FIRE-FIGHTING PUMP SETS

Pumped liquid temperature range: from -15 °C to +70 °C - Maximum ambient temperature: from +4 °C to +40 °C



## KDN EN 12845 ELECTRIC PUMP

MODEL	POWER INPUT	JOCKEY PUMP*	P2 MAIN PUMP	P2 JOCKEY PUMP	In A	METER KIT
			kW	kW		
1 KDN 80-200/200 37	3x400 V ~	KVCX 65/80 T	37	2,2	63	KDN 80 EN 12845

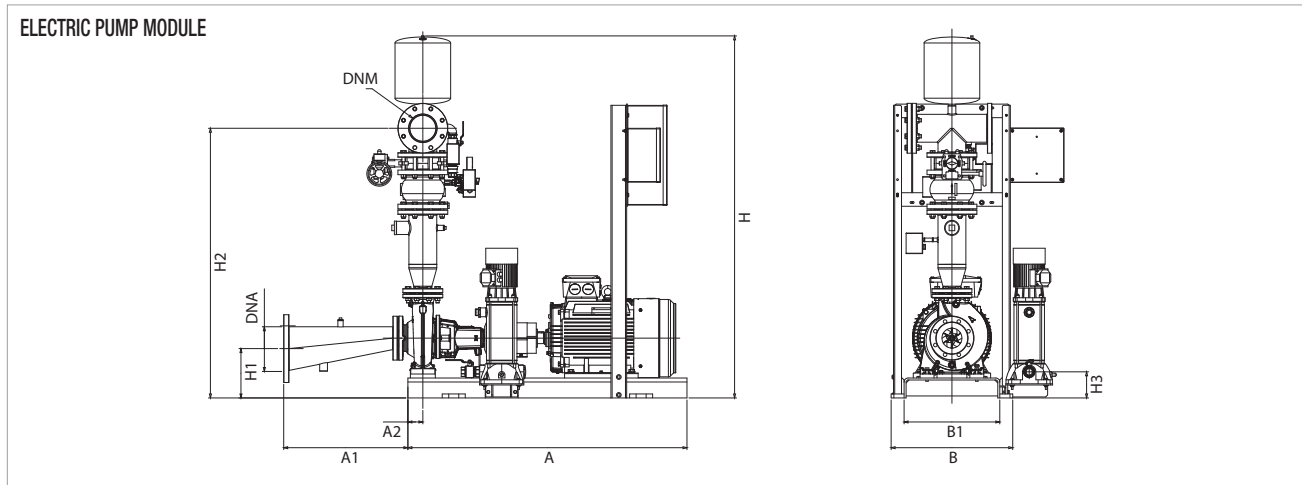
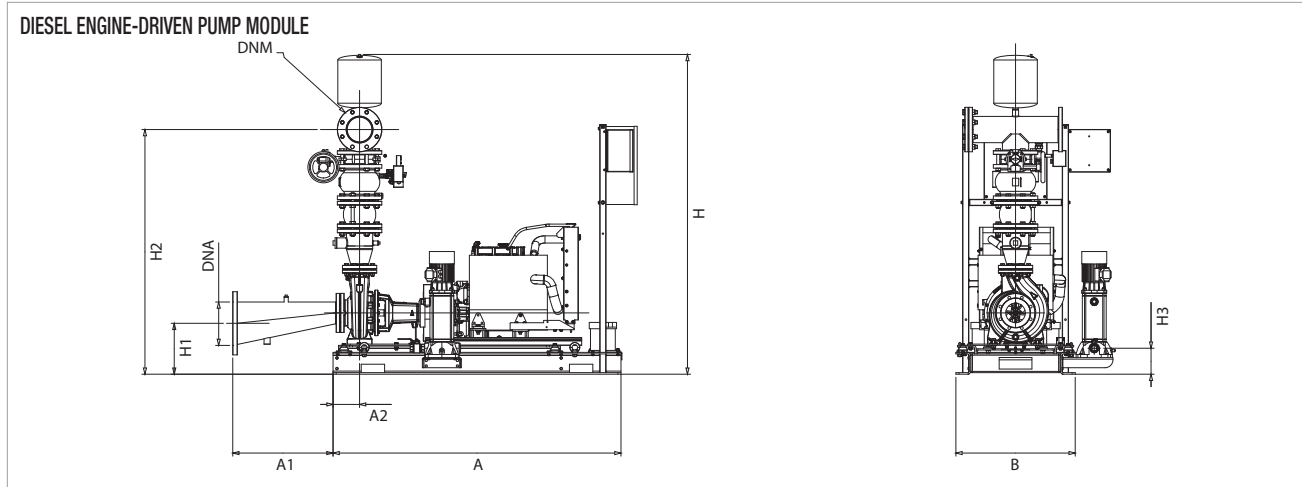
## KDN EN 12845 DIESEL ENGINE-DRIVEN PUMP

MODEL	BATTERY CHARGER POWER INPUT	JOCKEY PUMP*	** P2 DIESEL ENGINE - DRIVEN PUMP	P2 JOCKEY PUMP	METER KIT	FAN SURFACE
			kW	kW		
1 KDN 80-200/200 MD	3x230-400 V ~	KVCX 65/80 T	37	2,2	KDN 80 EN 12845	0,40 m <sup>2</sup>

\* Jockey pump on request.

\*\* ISO 3046 continuous power The motor is capable of delivering 10 % more of the power requested by the pump.

The performance curves are based on kinematic viscosity values = 1 mm<sup>2</sup>/s and density equal to 1000 kg/m<sup>3</sup>. Curve tolerance according to ISO 9906.

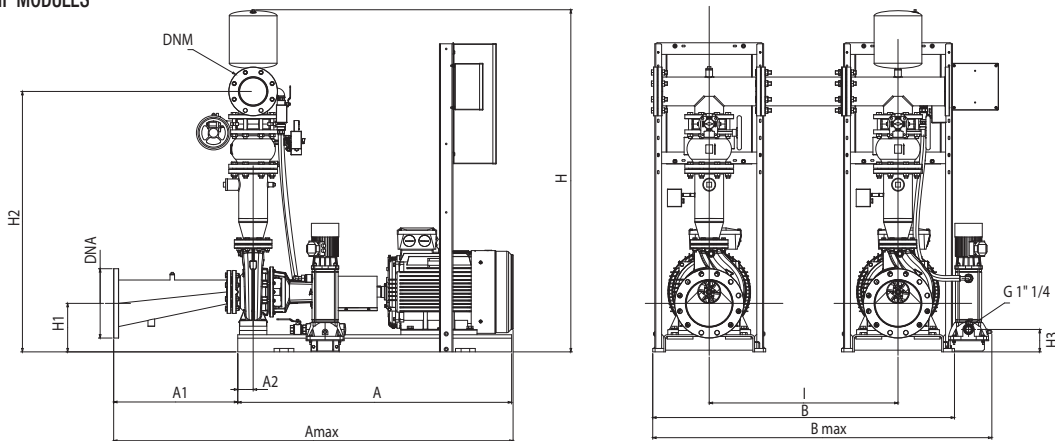


The dashed components are not included in the standard supply.

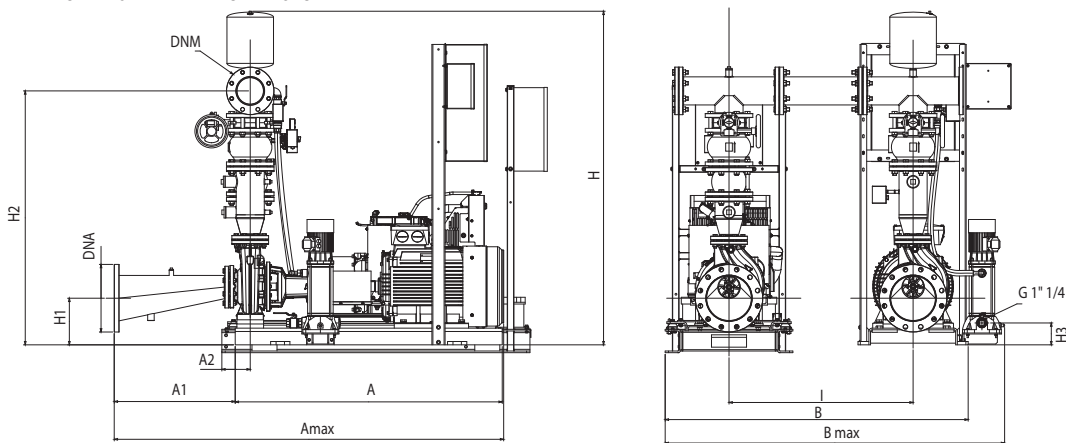
# 1 KDN 80-200/200 - UNI EN 12845 FIRE-FIGHTING PUMP SETS

FIRE-FIGHTING PUMP SETS

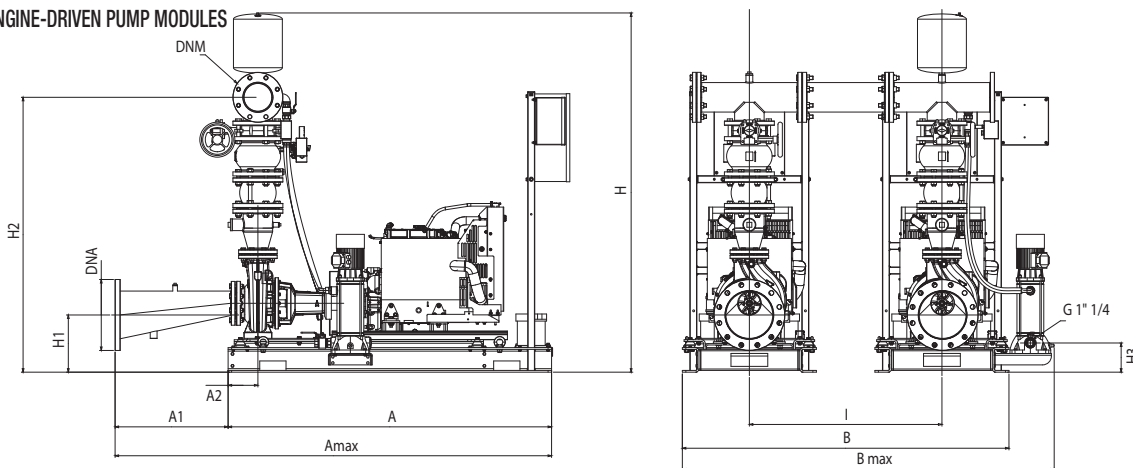
## 2 ELECTRIC PUMP MODULES



## ELECTRIC PUMP + DIESEL ENGINE-DRIVEN PUMP MODULE



## 2 DIESEL ENGINE-DRIVEN PUMP MODULES



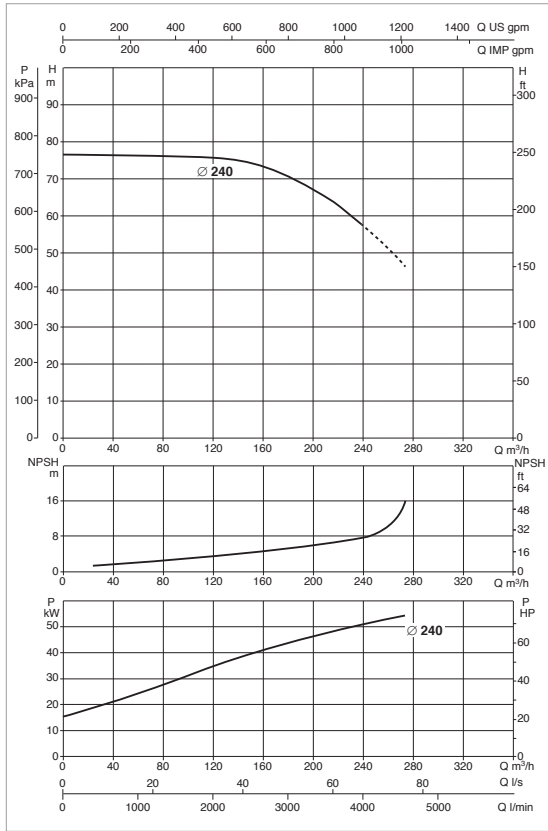
The dashed components are not included in the standard supply.

MODEL	A	A1	A2	A max	B	B1	B max	H	H1	H2	H3	H5	I	DNA	DNM	WEIGHT without jockey pump kg	WEIGHT with jockey pump kg
<b>1 KDN 80-200/200 - DIESEL ENGINE DRIVEN PUMP MODULE</b>	1846	525	170	2479	765	-	1023	1974	320	1604	167	-	-	200	125	877	897
<b>1 KDN 80-200/200 - ELECTRIC PUMP MODULE</b>	1400	623	75	2077	610	480	867	1991	248	1528	131	-	-	200	125	990	1015
<b>1 KDN 80-200/200 - 2 ELECTRIC PUMP MODULES</b>	1400	623	75	2077	1720	-	1977	1991	248	1528	131	-	900	200	125	1980	2005
<b>1 KDN 80-200/200 - ELECTRIC PUMP + DIESEL ENGINE DRIVEN PUMP MODULE</b>	1846	525	170	2479	-	-	2288	1991	320	1604	167	-	900	200	125	1867	1892
<b>1 KDN 80-200/200 - 2 DIESEL ENGINE DRIVEN PUMP MODULES</b>	1846	525	170	2479	-	-	2288	1974	320	1604	167	-	900	200	125	1754	1774



# 1 KDN 80-250/240 - UNI EN 12845 FIRE-FIGHTING PUMP SETS

Pumped liquid temperature range: from -15 °C to +70 °C - Maximum ambient temperature: from +4 °C to +40 °C



## KDN EN 12845 ELECTRIC PUMP

MODEL	POWER INPUT	JOCKEY PUMP*	P2 MAIN PUMP	P2 JOCKEY PUMP	In A	METER KIT
			kW	kW		
1 KDN 80-250/240 55	3x400 V ~	KVCX 65/80 T	55	2,2	95	KDN 80 EN 12845

## KDN EN 12845 DIESEL ENGINE-DRIVEN PUMP

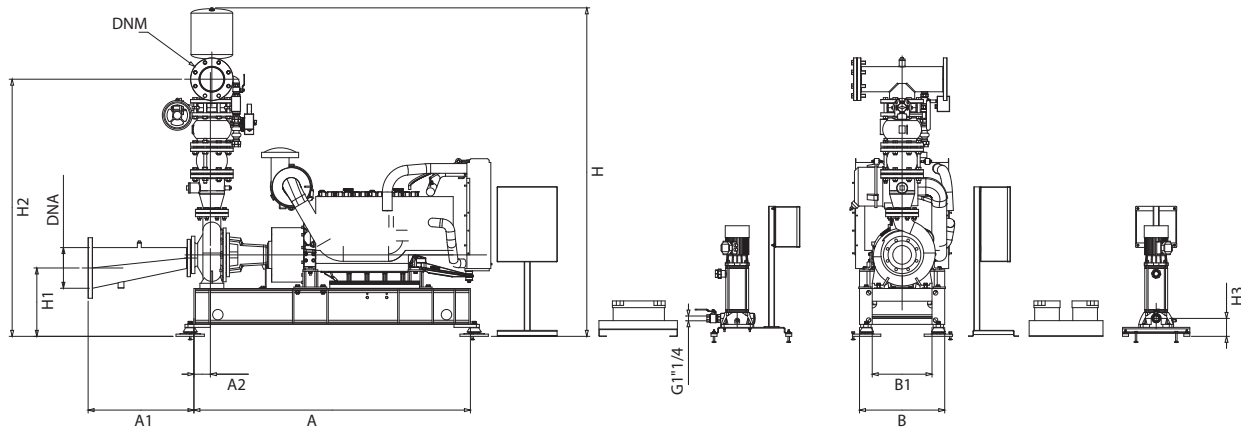
MODEL	BATTERY CHARGER POWER INPUT	JOCKEY PUMP*	** P2 DIESEL ENGINE - DRIVEN PUMP	P2 JOCKEY PUMP	METER KIT	FAN SURFACE
			kW	kW		
1 KDN 80-250/240 MD	3x230-400 V ~	KVCX 65/80 T	73,5	2,2	KDN 80 EN 12845	0,40 m²

\* Jockey pump on request.

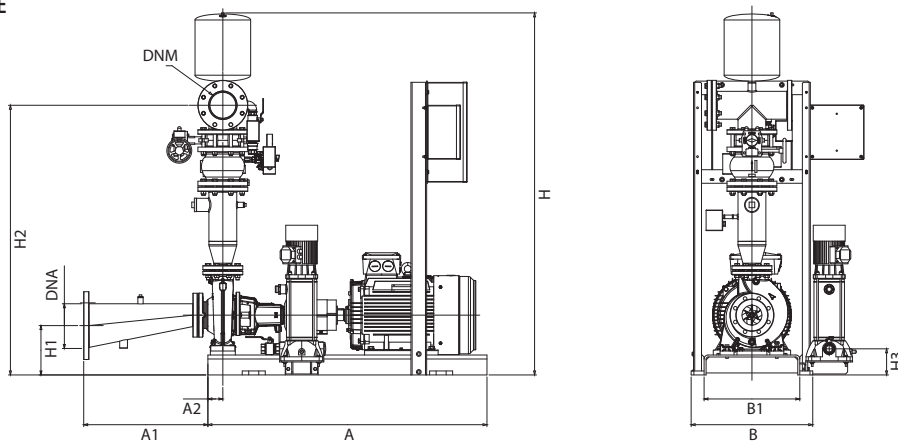
\*\* ISO 3046 continuous power The motor is capable of delivering 10 % more of the power requested by the pump.

The performance curves are based on kinematic viscosity values = 1 mm²/s and density equal to 1000 kg/m³. Curve tolerance according to ISO 9906.

### DIESEL ENGINE-DRIVEN PUMP MODULE



### ELECTRIC PUMP MODULE



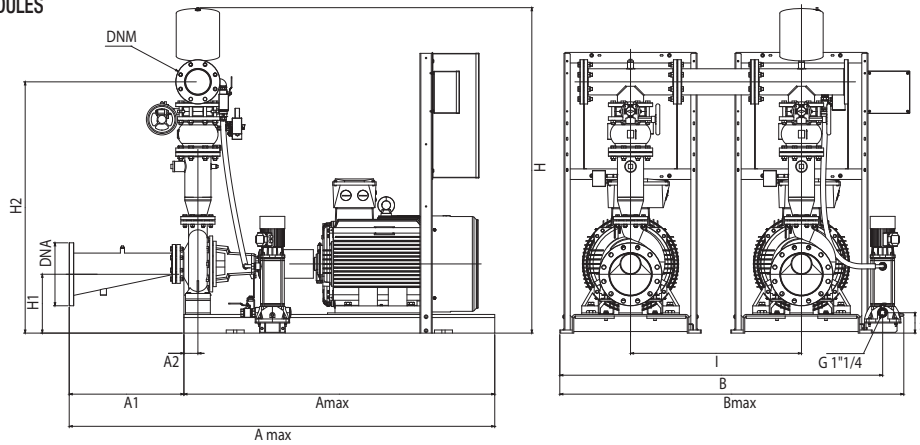
The dashed components are not included in the standard supply.



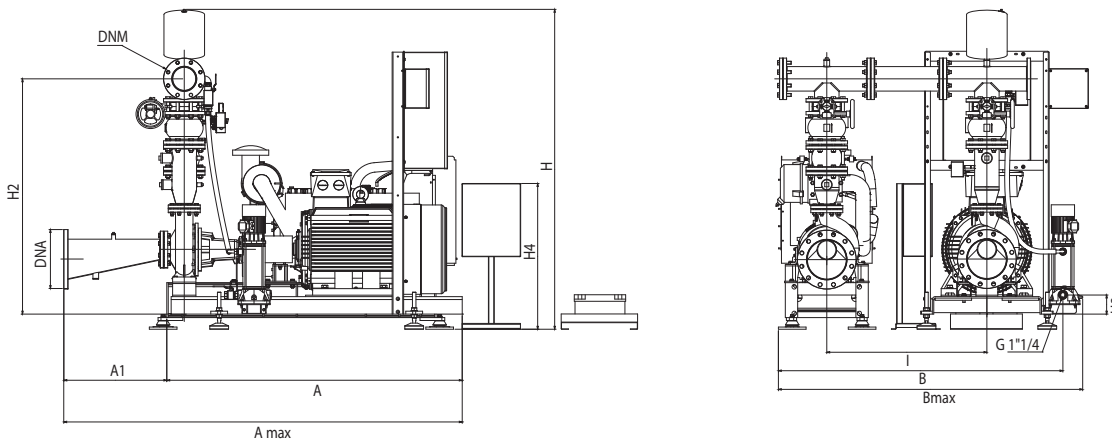
# 1 KDN 80-250/240 - UNI EN 12845 FIRE-FIGHTING PUMP SETS

FIRE-FIGHTING PUMP SETS

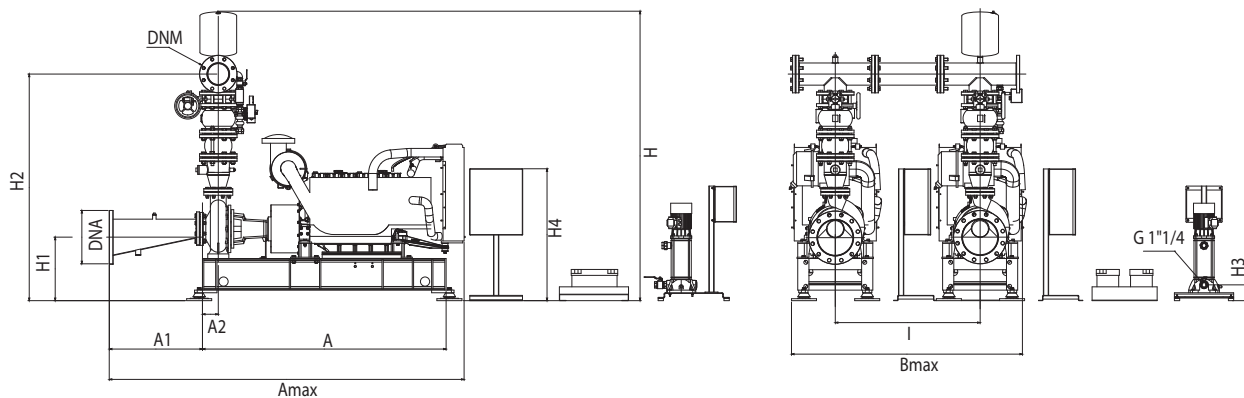
## 2 ELECTRIC PUMP MODULES



## ELECTRIC PUMP + DIESEL ENGINE-DRIVEN PUMP MODULE



## 2 DIESEL ENGINE-DRIVEN PUMP MODULES

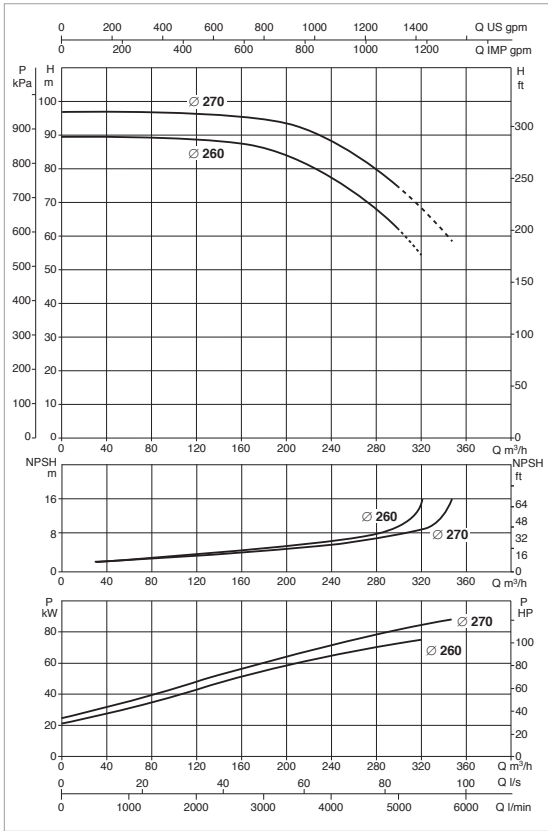


The dashed components are not included in the standard supply.

MODEL	A	A1	A2	A max	B	B1	B max	H	H1	H2	H3	H4	H5	I	DNA	DNM	WEIGHT without jockey pump kg	WEIGHT with jockey pump kg
<b>1 KDN 80-250/240 - DIESEL ENGINE DRIVEN PUMP MODULE</b>	1626	578	120	2326	570	-	675	1187	468	1781	120	734	-	-	200	125	1042	1096
<b>1 KDN 80-250/240 - ELECTRIC PUMP MODULE</b>	1600	608	90	2217	660	530	917	2071	298	1608	131	734	-	-	200	125	1025	1079
<b>1 KDN 80-250/240 - 2 ELECTRIC PUMP MODULES</b>	1600	608	90	2217	1820	-	2077	2071	298	1608	131	734	-	900	200	125	2050	2104
<b>1 KDN 80-250/240 - ELECTRIC PUMP + DIESEL ENGINE DRIVEN PUMP MODULE</b>	1626	578	120	2326	-	-	1745	2071	468	1608	120	734	-	900	200	125	2067	2121
<b>1 KDN 80-250/240 - 2 DIESEL ENGINE DRIVEN PUMP MODULES</b>	1626	578	120	2326	-	-	1745	1187	468	1781	120	734	-	900	200	125	2084	2138

# 1 KDN 80-250/260-270 -UNI EN 12845 FIRE-FIGHTING PUMP SETS

Pumped liquid temperature range: from -15 °C to +70 °C - Maximum ambient temperature: from +4 °C to +40 °C



## KDN EN 12845 ELECTRIC PUMP

MODEL	POWER INPUT	JOCKEY PUMP*	P2 MAIN PUMP	P2 JOCKEY PUMP	In A	METER KIT
			kW	kW		
1 KDN 80-250/260 75	3x400 V ~	KVCX 65/80 T	75	2,2	124	KDN 80 EN 12845
1 KDN 80-250/270 90	3x400 V ~	KVCX 65/80 T	90	2,2	148	KDN 80 EN 12845

## KDN EN 12845 DIESEL ENGINE-DRIVEN PUMP

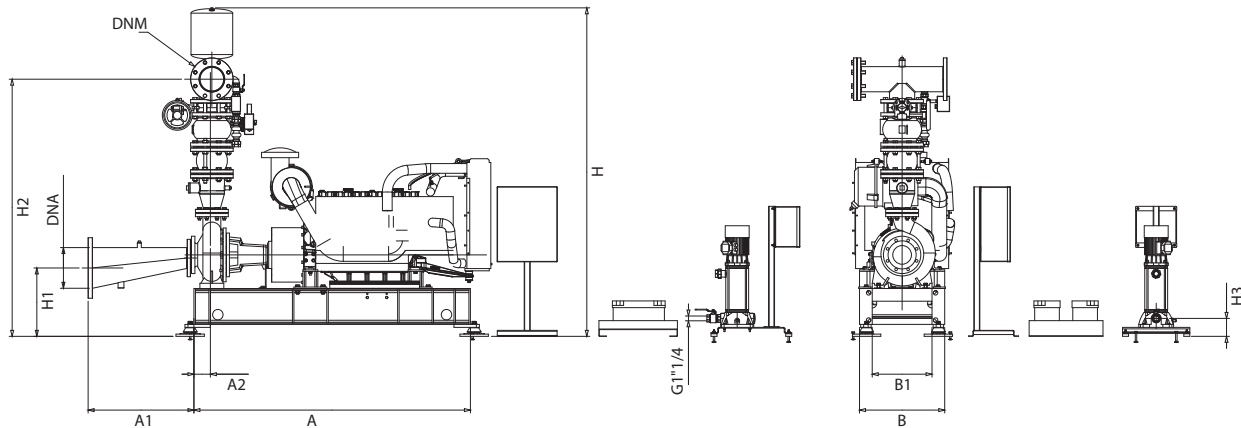
MODEL	BATTERY CHARGER POWER INPUT	JOCKEY PUMP*	** P2 DIESEL ENGINE - DRIVEN PUMP	P2 JOCKEY PUMP	METER KIT	FAN SURFACE
			kW	kW		
1 KDN 80-250/260 MD	3x230-400 V ~	KVCX 65/80 T	110	2,2	KDN 80 EN 12845	0,40 m²
1 KDN 80-250/270 MD	3x230-400 V ~	KVCX 65/80 T	110	2,2	KDN 80 EN 12845	0,40 m²

\* Jockey pump on request.

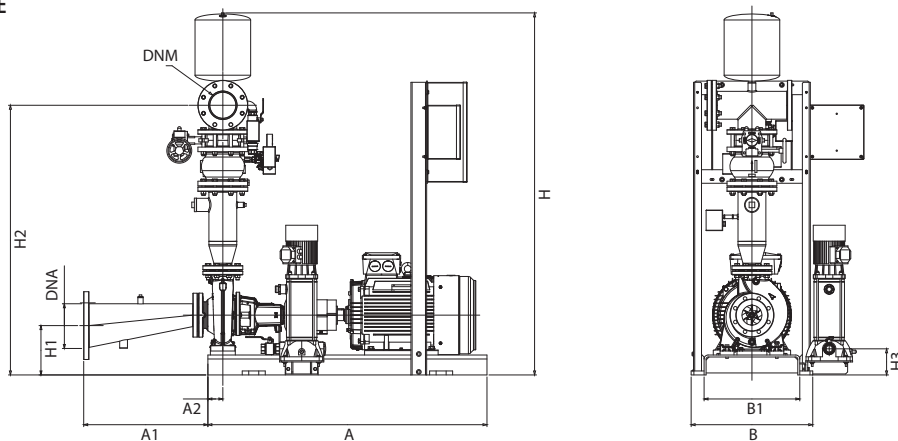
\*\* ISO 3046 continuous power The motor is capable of delivering 10 % more of the power requested by the pump.

The performance curves are based on kinematic viscosity values = 1 mm²/s and density equal to 1000 kg/m³. Curve tolerance according to ISO 9906.

### DIESEL ENGINE-DRIVEN PUMP MODULE



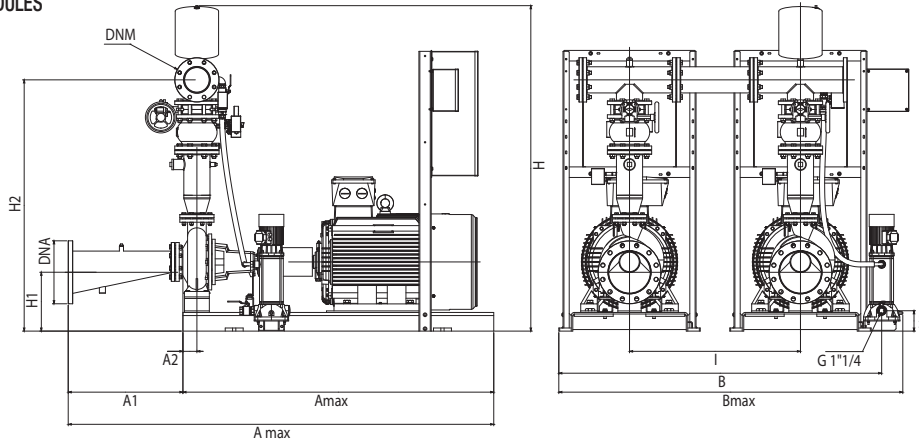
### ELECTRIC PUMP MODULE



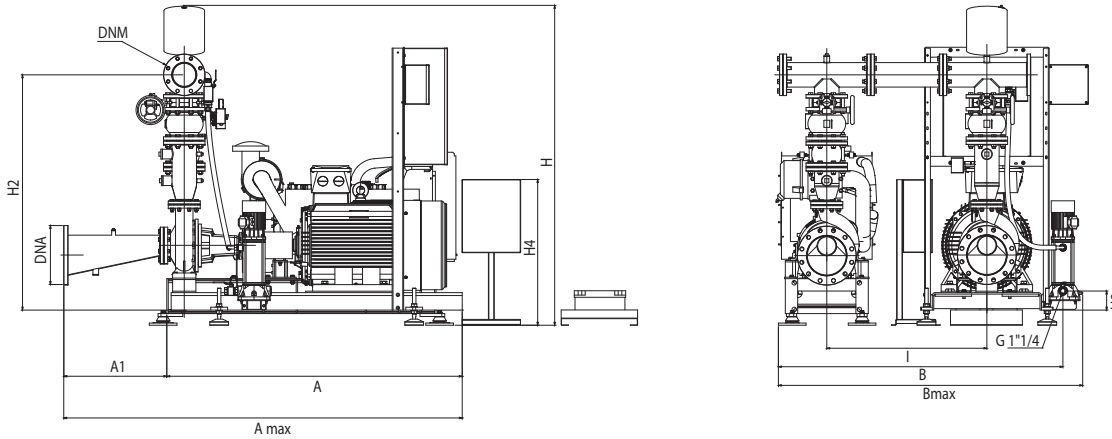
The dashed components are not included in the standard supply.

# 1 KDN 80-250/260-270 - UNI EN 12845 FIRE-FIGHTING PUMP SETS

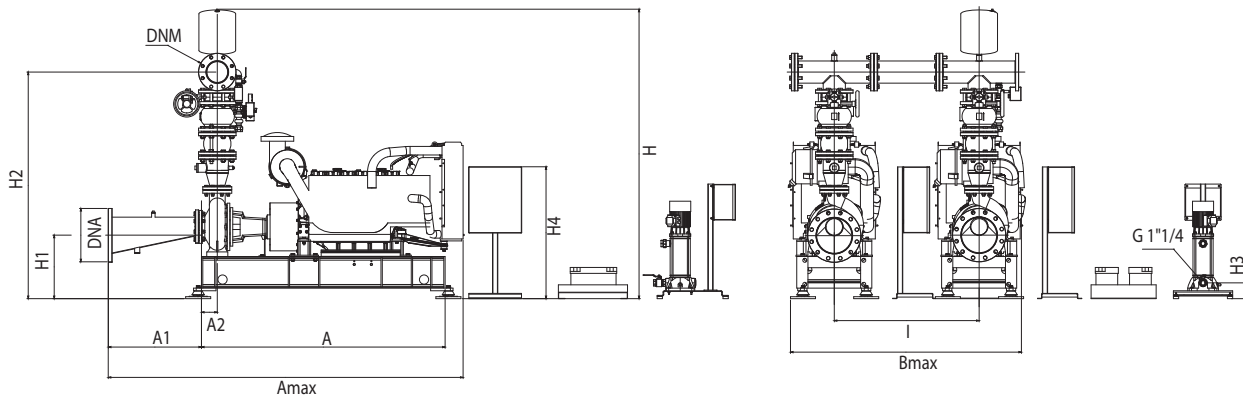
## 2 ELECTRIC PUMP MODULES



## ELECTRIC PUMP + DIESEL ENGINE-DRIVEN PUMP MODULE



## 2 DIESEL ENGINE-DRIVEN PUMP MODULES

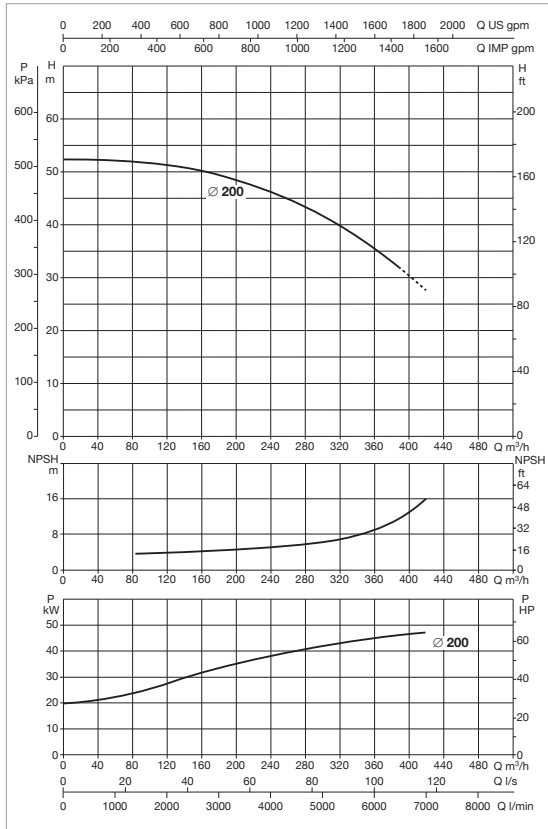


The dashed components are not included in the standard supply.

MODEL	A	A1	A2	A max	B	B1	B max	H	H1	H2	H3	H4	H5	I	DNA	DNM	WEIGHT without jockey pump kg	WEIGHT with jockey pump kg
<b>1 KDN 80-250/260-270 - DIESEL ENGINE DRIVEN PUMP MODULE</b>	1850	578	120	2576	570	-	693	1187	468	1781	120	734	-	-	200	125	1484	1512
<b>1 KDN 80-250/260-270 - ELECTRIC PUMP MODULE</b>	1800	608	90	2408	730	600	987	2101	328	1638	131	734	-	-	200	125	1467	1495
<b>1 KDN 80-250/260-270 - 2 ELECTRIC PUMP MODULES</b>	1800	608	90	2408	1960	-	2217	2101	328	1638	131	734	-	900	200	125	2934	2962
<b>1 KDN 80-250/260-270 - ELECTRIC PUMP + DIESEL ENGINE DRIVEN PUMP MODULE</b>	1850	578	120	2576	-	-	1763	2101	468	1638	120	734	-	900	200	125	2951	2979
<b>1 KDN 80-250/260-270 - 2 DIESEL ENGINE DRIVEN PUMP MODULES</b>	1850	578	120	2576	-	-	1763	1187	468	1781	120	734	-	900	200	125	2968	2996

# 1 KDN 100-200/200 - UNI EN 12845 FIRE-FIGHTING PUMP SETS

Pumped liquid temperature range: from -15 °C to +70 °C - Maximum ambient temperature: from +4 °C to +40 °C



## KDN EN 12845 ELECTRIC PUMP

MODEL	POWER INPUT	JOCKEY PUMP*	P2 MAIN PUMP	P2 JOCKEY PUMP	In A	METER KIT
			kW	kW		
1 KDN 100-200/200 55	3x400 V ~	KVCX 65/80 T	55	2,2	95	KDN 100 EN 12845

## KDN EN 12845 DIESEL ENGINE-DRIVEN PUMP

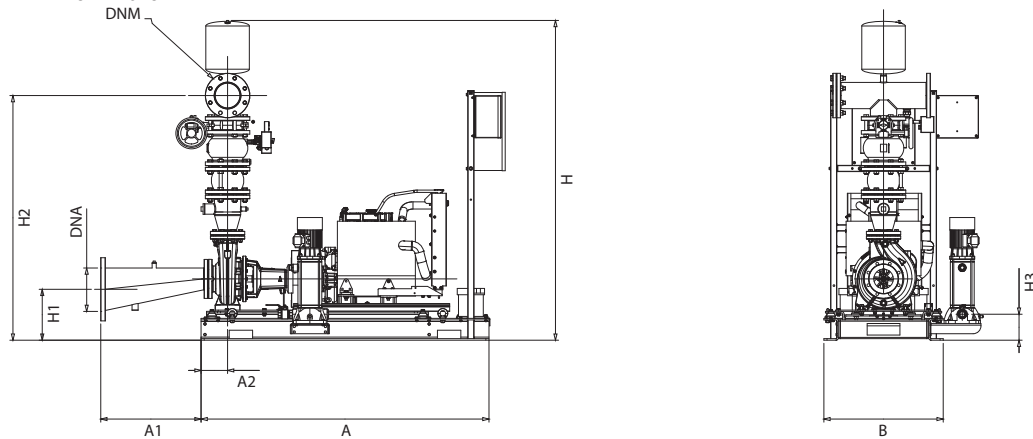
MODEL	BATTERY CHARGER POWER INPUT	JOCKEY PUMP*	** P2 DIESEL ENGINE - DRIVEN PUMP	P2 JOCKEY PUMP	METER KIT	FAN SURFACE
			kW	kW		
1 KDN 100-200/200 MD	3x230-400 V ~	KVCX 65/80 T	53	2,2	KDN 100 EN 12845	0,40 m²

\* Jockey pump on request.

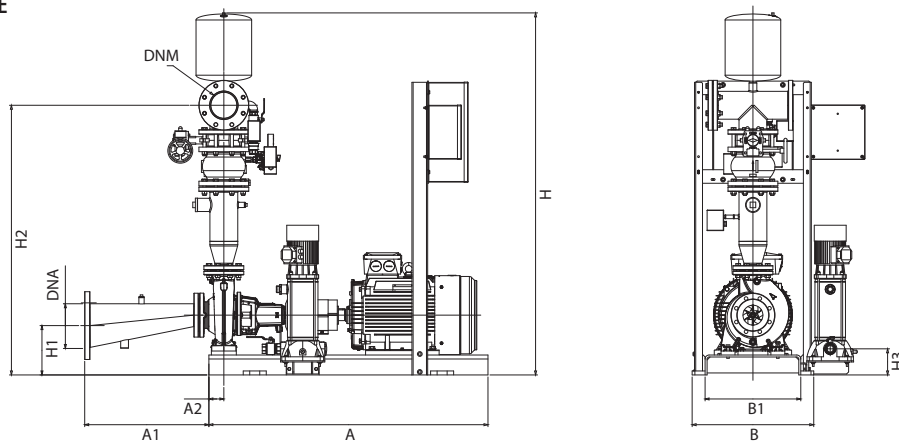
\*\* ISO 3046 continuous power The motor is capable of delivering 10 % more of the power requested by the pump.

The performance curves are based on kinematic viscosity values = 1 mm²/s and density equal to 1000 kg/m³. Curve tolerance according to ISO 9906.

### DIESEL ENGINE-DRIVEN PUMP MODULE



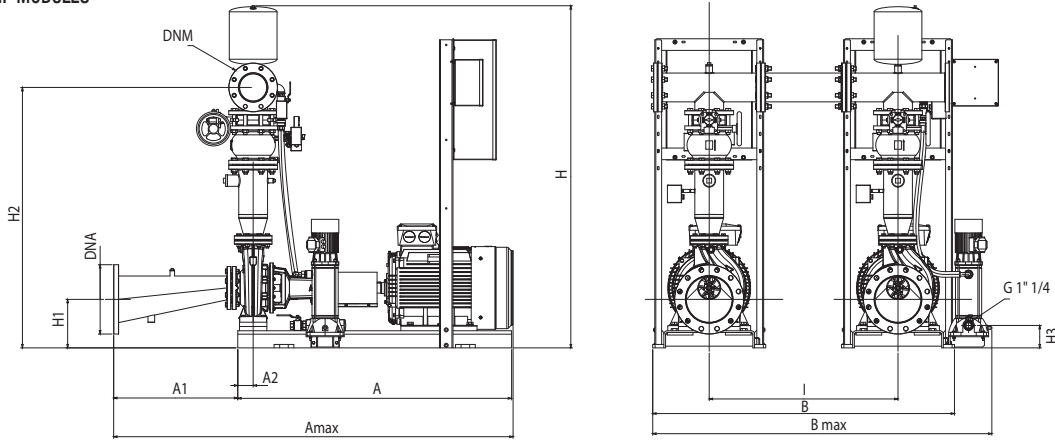
### ELECTRIC PUMP MODULE



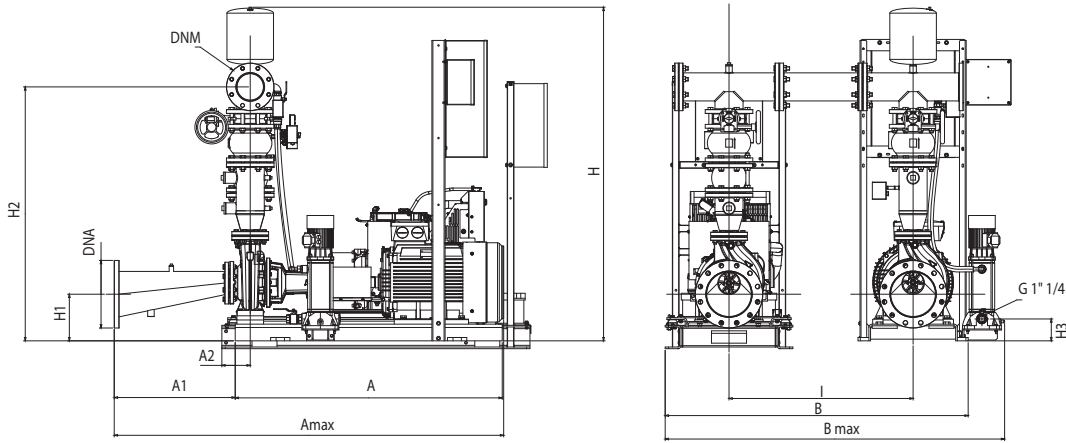
The dashed components are not included in the standard supply.

# 1 KDN 100-200/200 - UNI EN 12845 FIRE-FIGHTING PUMP SETS

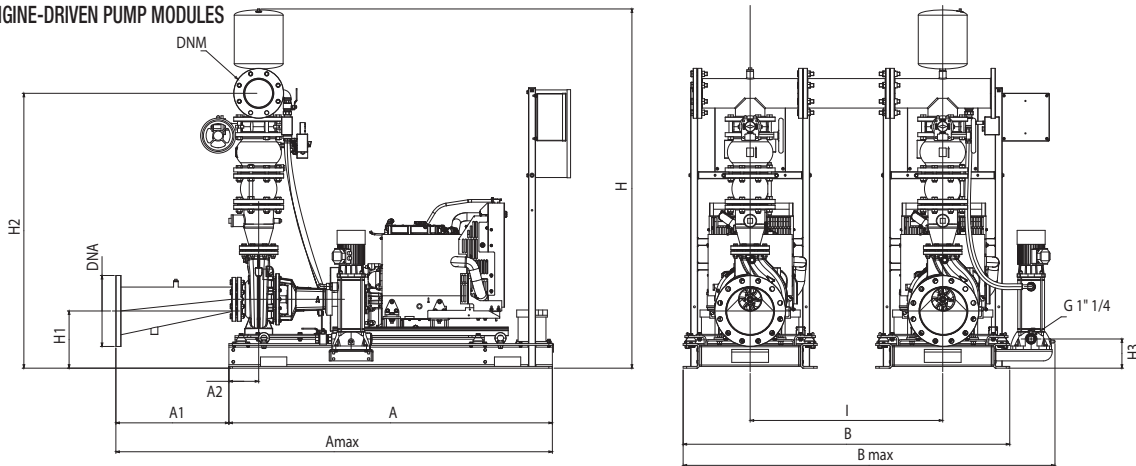
## 2 ELECTRIC PUMP MODULES



## ELECTRIC PUMP + DIESEL ENGINE-DRIVEN PUMP MODULE



## 2 DIESEL ENGINE-DRIVEN PUMP MODULES

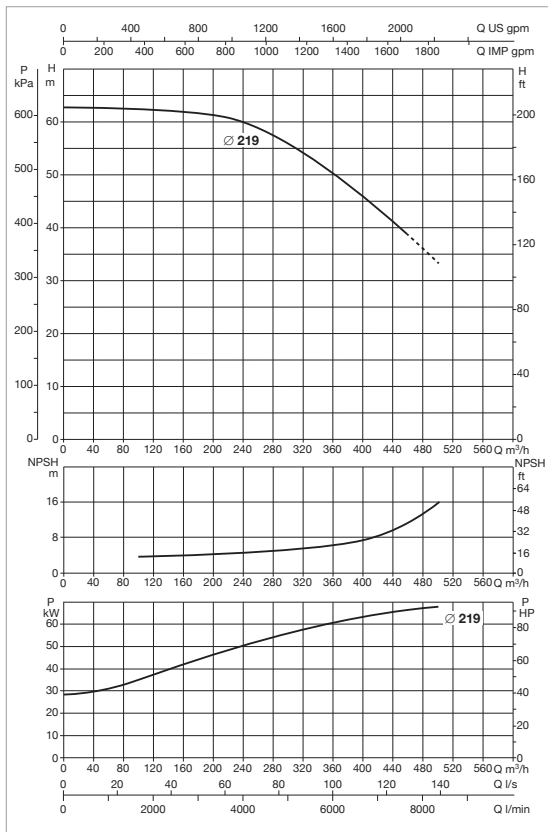


The dashed components are not included in the standard supply.

MODEL	A	A1	A2	A max	B	B1	B max	H	H1	H2	H3	H5	I	DNA	DNM	WEIGHT without jockey pump kg	WEIGHT with jockey pump kg
<b>1 KDN 100-200/200 - DIESEL ENGINE DRIVEN PUMP MODULE</b>	1846	643	170	2593	765	-	991	2029	328	1719	167	-	-	250	150	1076	1102
<b>1 KDN 100-200/200 - ELECTRIC PUMP MODULE</b>	1600	723	90	2332	720	600	917	2149	283	1672	131	-	-	250	150	1059	1085
<b>1 KDN 100-200/200 - 2 ELECTRIC PUMP MODULES</b>	1600	723	90	2332	1940	-	2137	2149	283	1672	131	-	1100	250	150	2118	2144
<b>1 KDN 100-200/200 - ELECTRIC PUMP + DIESEL ENGINE DRIVEN PUMP MODULE</b>	1846	643	170	2593	-	-	2256	2149	328	1719	167	-	1100	250	150	2135	2161
<b>1 KDN 100-200/200 - 2 DIESEL ENGINE DRIVEN PUMP MODULES</b>	1846	643	170	2593	-	-	2256	2029	328	1719	167	-	1100	250	150	2152	2178

# 1 KDN 100-200/219 - UNI EN 12845 FIRE-FIGHTING PUMP SETS

Pumped liquid temperature range: from -15 °C to +70 °C - Maximum ambient temperature: from +4 °C to +40 °C



## KDN EN 12845 ELECTRIC PUMP

MODEL	POWER INPUT	JOCKEY PUMP*	P2 MAIN PUMP	P2 JOCKEY PUMP	In A	METER KIT
			kW	kW		
1 KDN 100-200/219 75	3x400 V ~	KVCX 65/80 T	75	2,2	124	KDN 100 EN 12845

## KDN EN 12845 DIESEL ENGINE-DRIVEN PUMP

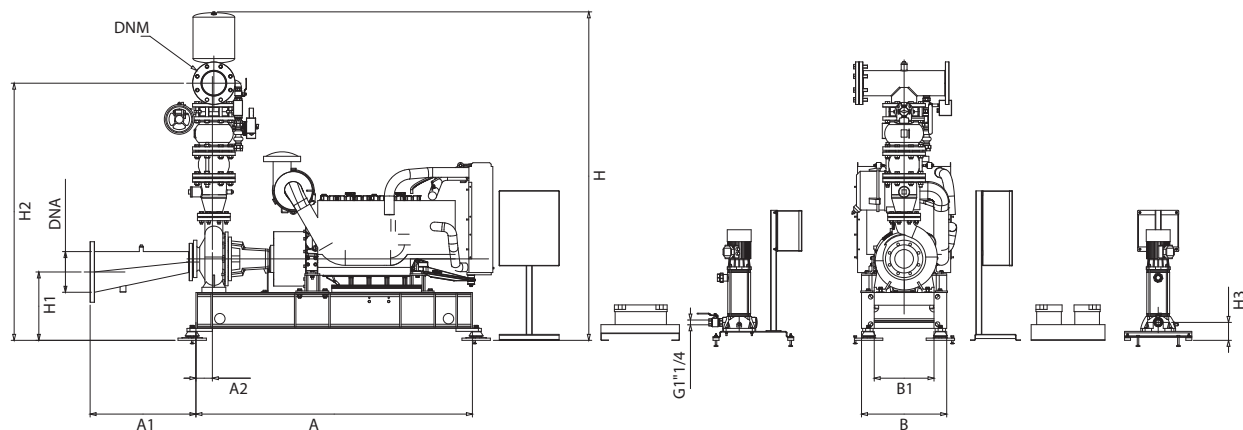
MODEL	BATTERY CHARGER POWER INPUT	JOCKEY PUMP*	** P2 DIESEL ENGINE - DRIVEN PUMP	P2 JOCKEY PUMP	METER KIT	FAN SURFACE
			kW	kW		
1 KDN 100-200/219 MD	3x230-400 V ~	KVCX 65/80 T	73,5	2,2	KDN 100 EN 12845	0,40 m²

\* Jockey pump on request.

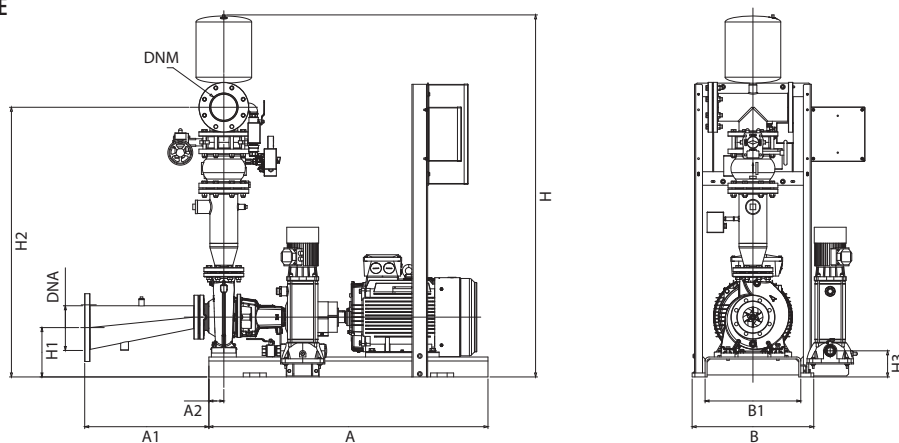
\*\* ISO 3046 continuous power The motor is capable of delivering 10 % more of the power requested by the pump.

The performance curves are based on kinematic viscosity values = 1 mm²/s and density equal to 1000 kg/m³. Curve tolerance according to ISO 9906.

## DIESEL ENGINE-DRIVEN PUMP MODULE



## ELECTRIC PUMP MODULE

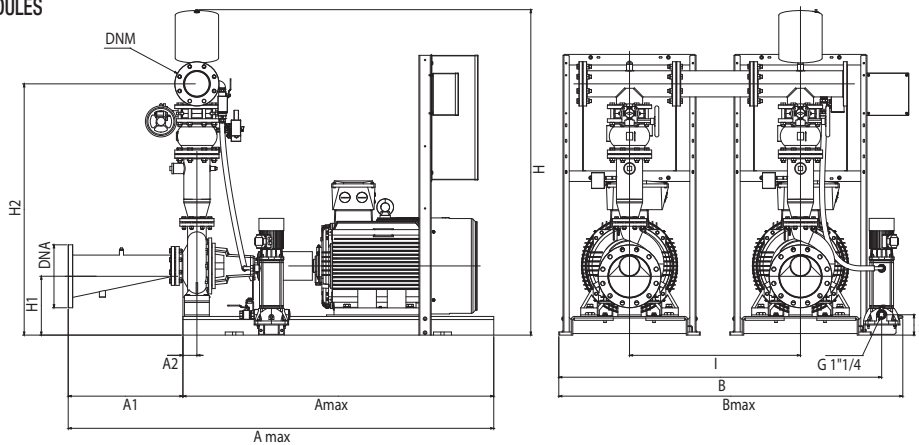


The dashed components are not included in the standard supply.

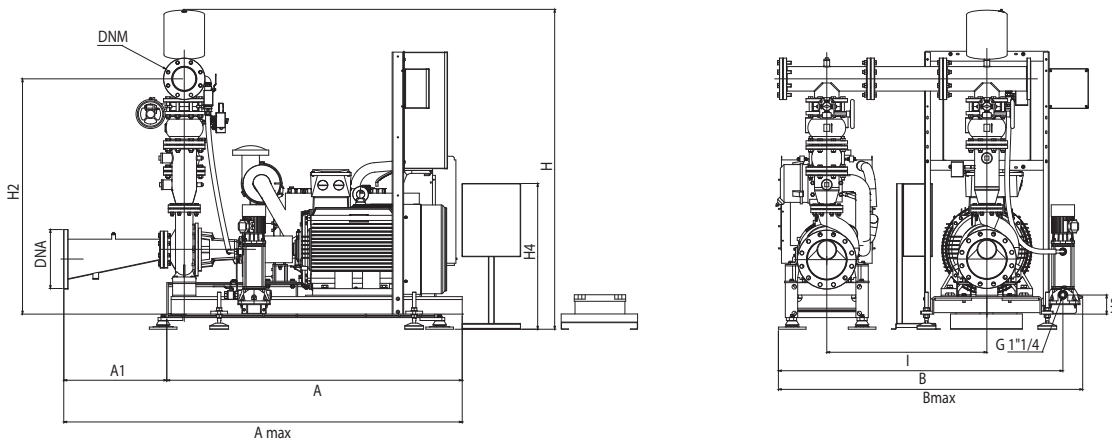
# 1 KDN 100-200/219 - UNI EN 12845 FIRE-FIGHTING PUMP SETS

FIRE-FIGHTING PUMP SETS

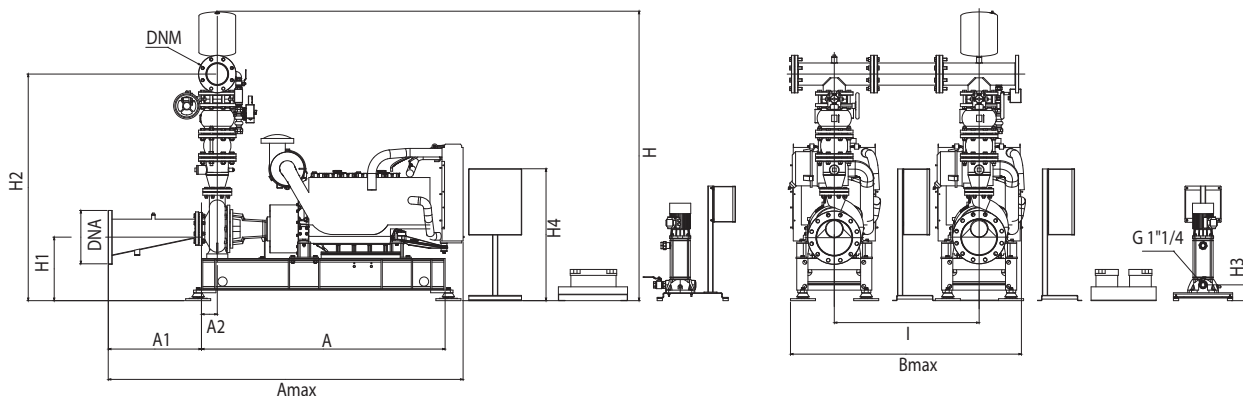
## 2 ELECTRIC PUMP MODULES



## ELECTRIC PUMP + DIESEL ENGINE-DRIVEN PUMP MODULE



## 2 DIESEL ENGINE-DRIVEN PUMP MODULES

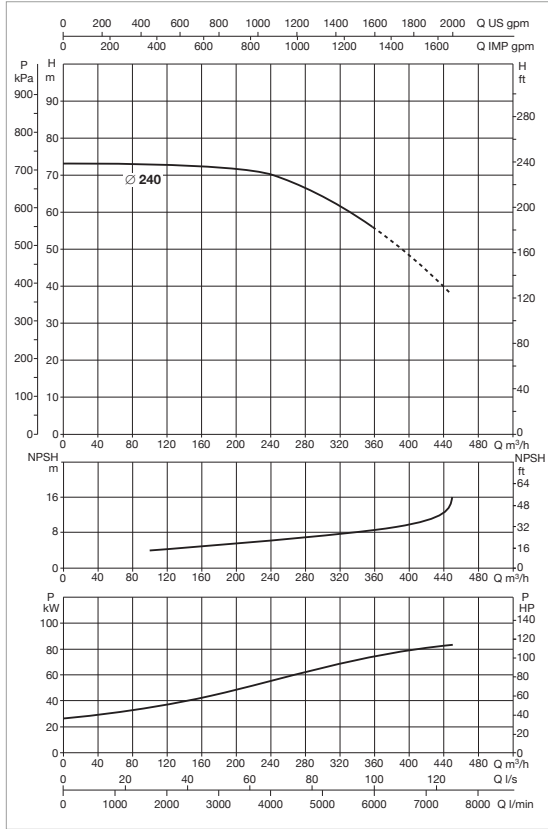


The dashed components are not included in the standard supply.

MODEL	A	A1	A2	A max	B	B1	B max	H	H1	H2	H3	H4	H5	I	DNA	DNM	WEIGHT without jockey pump kg	WEIGHT with jockey pump kg
<b>1 KDN 100-200/219 - DIESEL ENGINE DRIVEN PUMP MODULE</b>	1626	703	110	2432	570	-	675	2323	620	1846	120	734	-	-	250	150	1372	1396
<b>1 KDN 100-200/219 - ELECTRIC PUMP MODULE</b>	1800	723	90	2523	730	600	987	2179	313	1702	131	734	-	-	250	150	1355	1379
<b>1 KDN 100-200/219 - 2 ELECTRIC PUMP MODULES</b>	1800	723	90	2523	1960	-	2217	2179	313	1702	131	734	-	1100	250	150	2710	2734
<b>1 KDN 100-200/219 - ELECTRIC PUMP + DIESEL ENGINE DRIVEN PUMP MODULE</b>	1626	703	110	2432	-	-	1745	2323	620	1846	120	734	-	1100	250	150	2727	2751
<b>1 KDN 100-200/219 - 2 DIESEL ENGINE DRIVEN PUMP MODULES</b>	1626	703	110	2432	-	-	1745	2323	620	1846	120	734	-	1100	250	150	2744	2768

# 1 KDN 100-250/240 - UNI EN 12845 FIRE-FIGHTING PUMP SETS

Pumped liquid temperature range: from -15 °C to +70 °C - Maximum ambient temperature: from +4 °C to +40 °C



## KDN EN 12845 ELECTRIC PUMP

MODEL	POWER INPUT	JOCKEY PUMP*	P2 MAIN PUMP	P2 JOCKEY PUMP	In A	METER KIT
			kW	kW		
1 KDN 100-250/240 90	3x400 V ~	KVCX 65/80 T	90	2,2	148	KDN 100 EN 12845

## KDN EN 12845 DIESEL ENGINE-DRIVEN PUMP

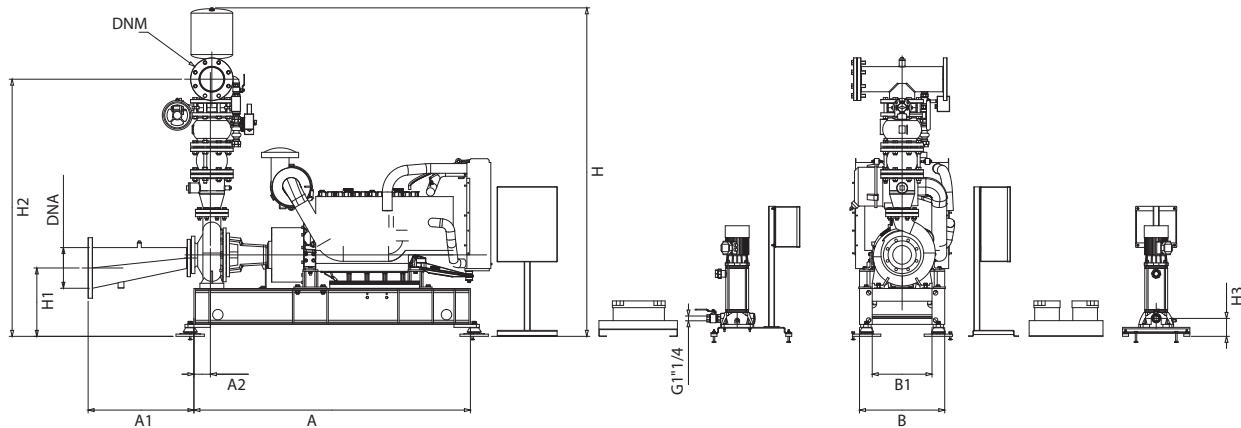
MODEL	BATTERY CHARGER POWER INPUT	JOCKEY PUMP*	** P2 DIESEL ENGINE - DRIVEN PUMP	P2 JOCKEY PUMP	METER KIT	FAN SURFACE
			kW	kW		
1 KDN 100-250/240 MD	3x230-400 V ~	KVCX 65/80 T	110	2,2	KDN 100 EN 12845	0,40 m²

\* Jockey pump on request.

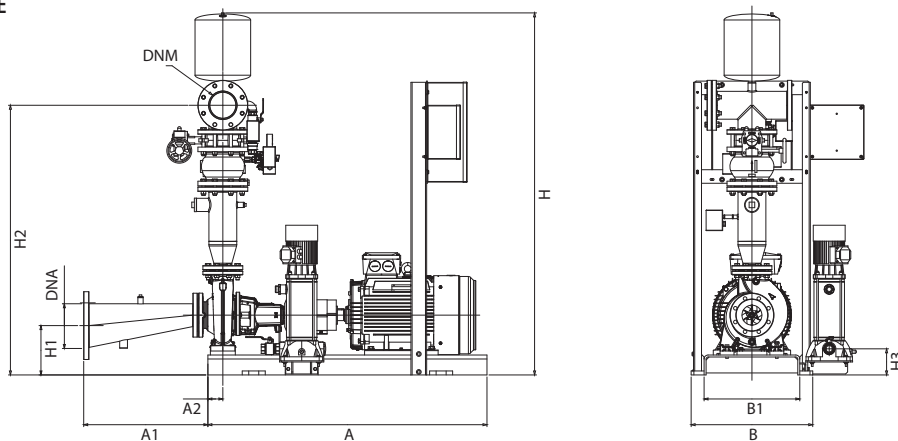
\*\* ISO 3046 continuous power The motor is capable of delivering 10 % more of the power requested by the pump.

The performance curves are based on kinematic viscosity values = 1 mm²/s and density equal to 1000 kg/m³. Curve tolerance according to ISO 9906.

### DIESEL ENGINE-DRIVEN PUMP MODULE



### ELECTRIC PUMP MODULE



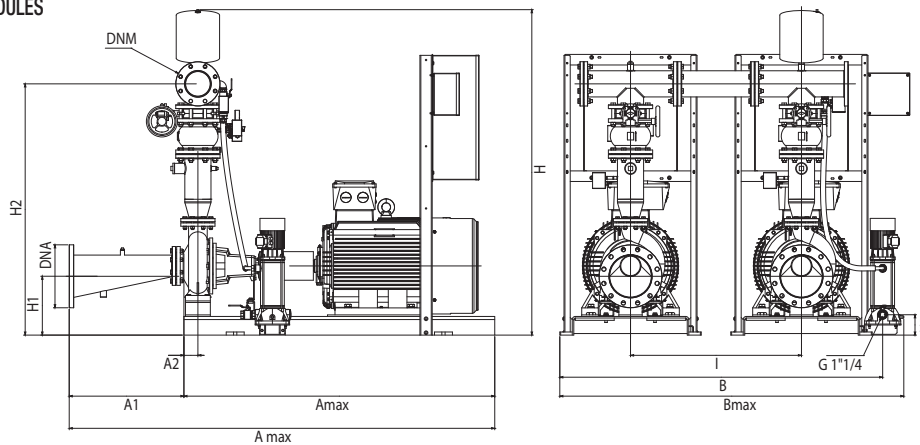
The dashed components are not included in the standard supply.



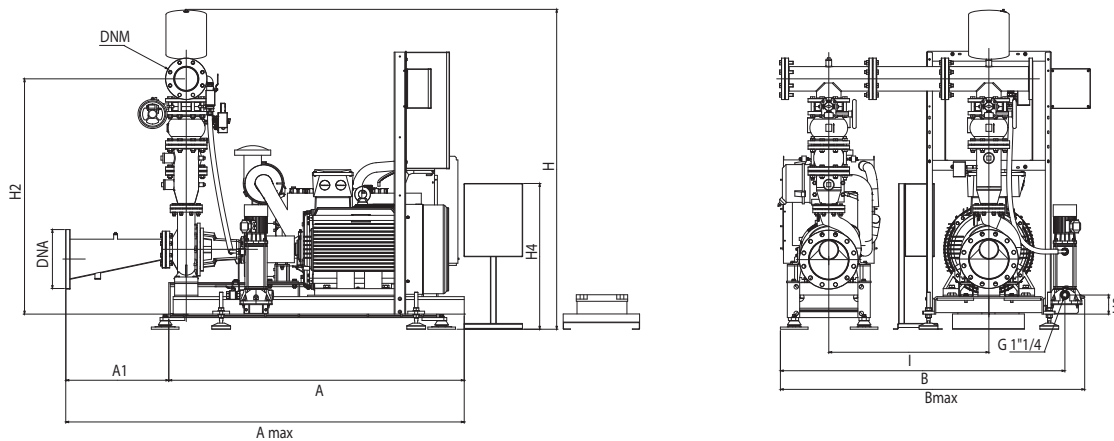
# 1 KDN 100-250/240 - UNI EN 12845 FIRE-FIGHTING PUMP SETS

FIRE-FIGHTING PUMP SETS

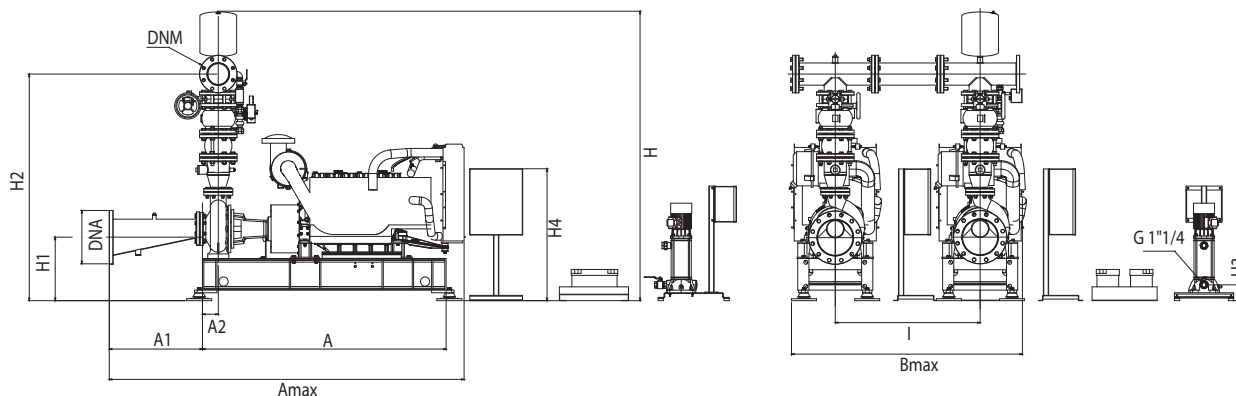
## 2 ELECTRIC PUMP MODULES



## ELECTRIC PUMP + DIESEL ENGINE-DRIVEN PUMP MODULE



## 2 DIESEL ENGINE-DRIVEN PUMP MODULES

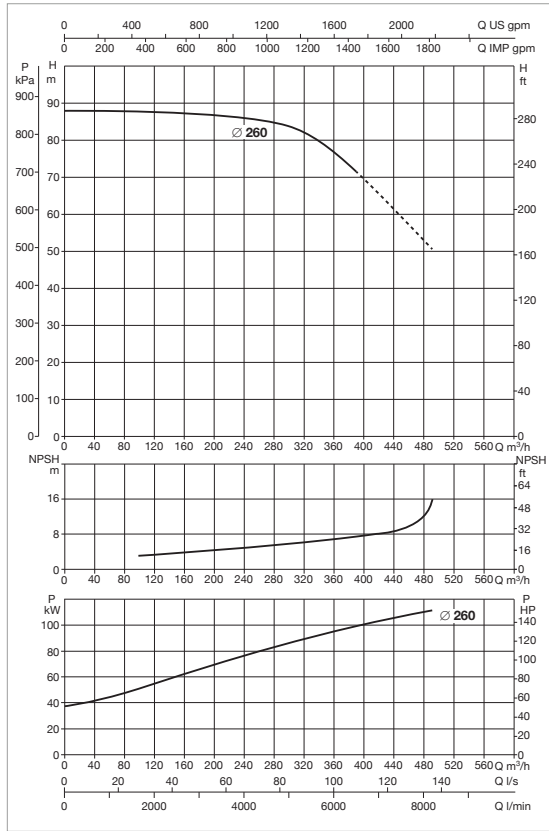


The dashed components are not included in the standard supply.

MODEL	A	A1	A2	A max	B	B1	B max	H	H1	H2	H3	H4	H5	I	DNA	DNM	WEIGHT without jockey pump kg	WEIGHT with jockey pump kg
<b>1 KDN 100-250/240 - DIESEL ENGINE DRIVEN PUMP MODULE</b>	1850	708	110	2694	570	-	701	2348	460	1871	120	734	-	-	250	150	1377	1397
<b>1 KDN 100-250/240 - ELECTRIC PUMP MODULE</b>	1800	723	90	2538	730	600	987	2404	328	1707	131	734	-	-	250	150	1360	1380
<b>1 KDN 100-250/240 - 2 ELECTRIC PUMP MODULES</b>	1800	723	90	2538	1960	-	2217	2404	328	1707	131	734	-	1100	250	150	2720	2740
<b>1 KDN 100-250/240 - ELECTRIC PUMP + DIESEL ENGINE DRIVEN PUMP MODULE</b>	1850	708	110	2694	-	-	1771	2404	460	1707	120	734	-	1100	250	150	2737	2757
<b>1 KDN 100-250/240 - 2 DIESEL ENGINE DRIVEN PUMP MODULES</b>	1850	708	110	2694	-	-	1771	2348	460	1871	120	734	-	1100	250	150	2754	2774

# 1 KDN 100-250/260 - UNI EN 12845 FIRE-FIGHTING PUMP SETS

Pumped liquid temperature range: from -15 °C to +70 °C - Maximum ambient temperature: from +4 °C to +40 °C



## KDN EN 12845 ELECTRIC PUMP

MODEL	POWER INPUT	JOCKEY PUMP*	P2 MAIN PUMP	P2 JOCKEY PUMP	In A	METER KIT
			kW	kW		
1 KDN 100-250/260 110	3x400 V ~	KVCX 65/80 T	110	2,2	184	KDN 100 EN 12845

## KDN EN 12845 DIESEL ENGINE-DRIVEN PUMP

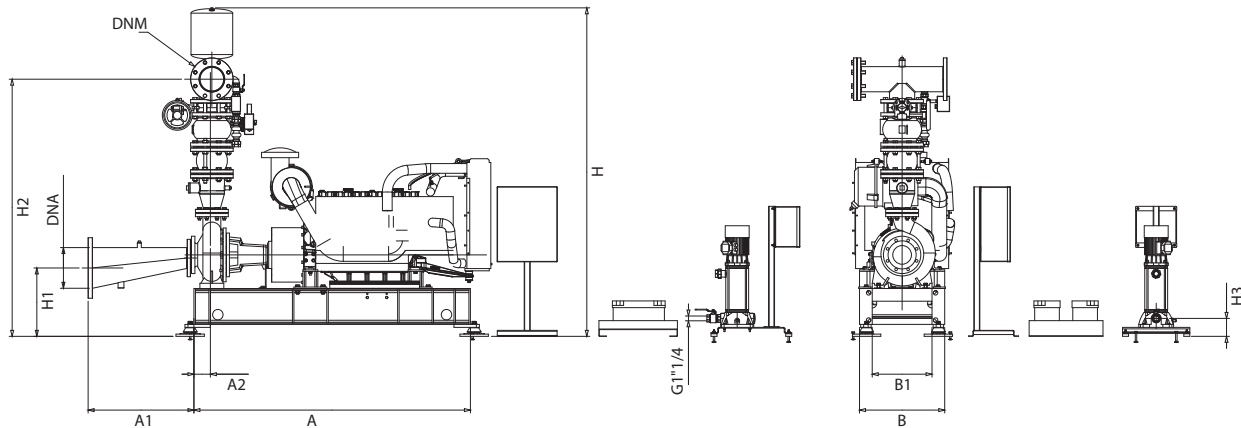
MODEL	BATTERY CHARGER POWER INPUT	JOCKEY PUMP*	** P2 DIESEL ENGINE - DRIVEN PUMP	P2 JOCKEY PUMP	METER KIT	FAN SURFACE
			kW	kW		
1 KDN 100-250/260 MD	3x230-400 V ~	KVCX 65/80 T	110	2,2	KDN 100 EN 12845	0,40 m²

\* Jockey pump on request.

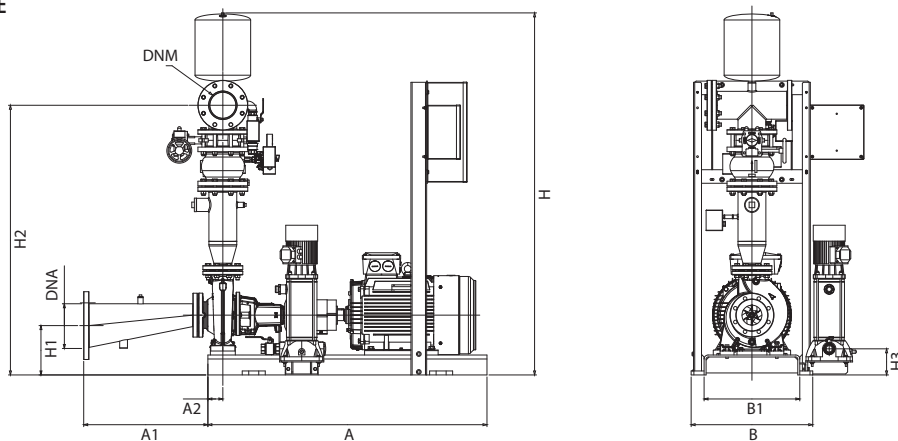
\*\* ISO 3046 continuous power The motor is capable of delivering 10 % more of the power requested by the pump.

The performance curves are based on kinematic viscosity values = 1 mm²/s and density equal to 1000 kg/m³. Curve tolerance according to ISO 9906.

### DIESEL ENGINE-DRIVEN PUMP MODULE



### ELECTRIC PUMP MODULE

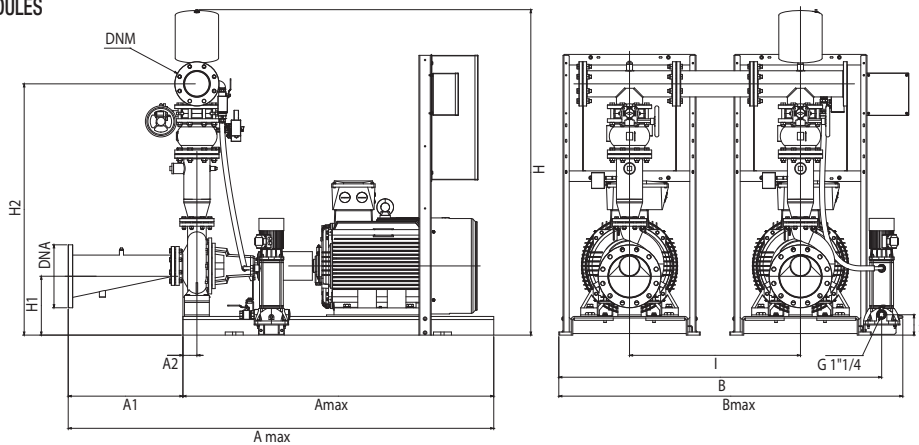


The dashed components are not included in the standard supply.

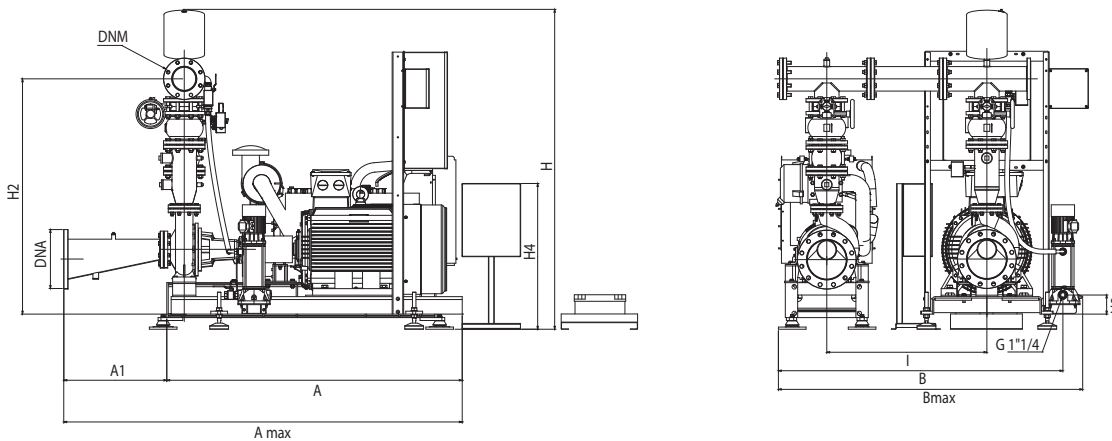
# 1 KDN 100-250/260 - UNI EN 12845 FIRE-FIGHTING PUMP SETS

FIRE-FIGHTING PUMP SETS

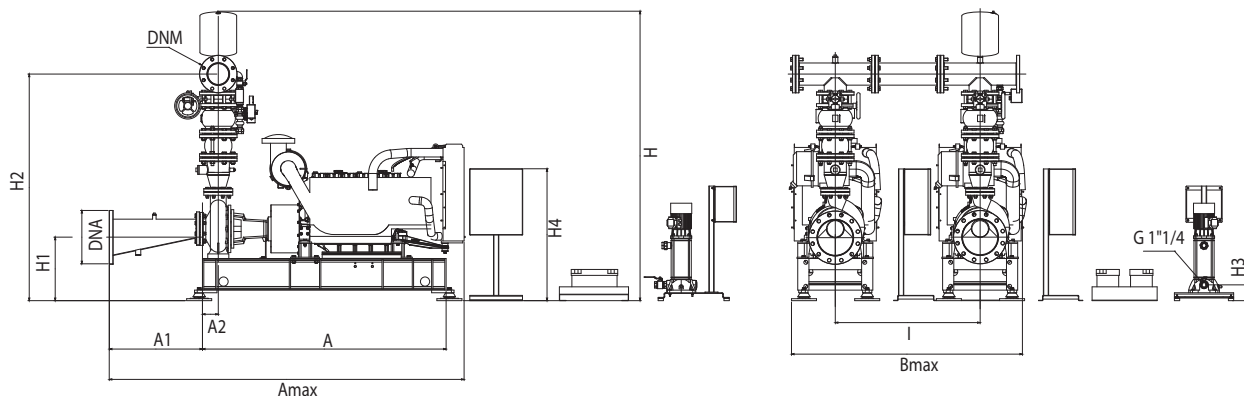
## 2 ELECTRIC PUMP MODULES



## ELECTRIC PUMP + DIESEL ENGINE-DRIVEN PUMP MODULE



## 2 DIESEL ENGINE-DRIVEN PUMP MODULES



The dashed components are not included in the standard supply.

MODEL	A	A1	A2	A max	B	B1	B max	H	H1	H2	H3	H4	H5	I	DNA	DNM	WEIGHT without jockey pump kg	WEIGHT with jockey pump kg
<b>1 KDN 100-250/260 - DIESEL ENGINE DRIVEN PUMP MODULE</b>	1850	708	110	2694	570	-	701	2348	460	1871	120	734	-	-	250	150	1402	1414
<b>1 KDN 100-250/260 - ELECTRIC PUMP MODULE</b>	2000	738	90	2738	910	750	1146	2404	378	1767	131	734	-	-	250	150	1385	1397
<b>1 KDN 100-250/260 - 2 ELECTRIC PUMP MODULES</b>	2000	738	90	2738	2320	-	2556	2404	378	1767	131	734	-	1100	250	150	2770	2782
<b>1 KDN 100-250/260 - ELECTRIC PUMP + DIESEL ENGINE DRIVEN PUMP MODULE</b>	1850	708	110	2738	-	-	1771	2404	460	1767	120	734	-	1100	250	150	2787	2799
<b>1 KDN 100-250/260 - 2 DIESEL ENGINE DRIVEN PUMP MODULES</b>	1850	708	110	2694	-	-	1771	2348	460	1871	120	734	-	1100	250	150	2804	2816