

esybox MAX

ELECTRONIC BOOSTER SET



ESYBOX MAX

ELECTRONIC BOOSTER SET

D+CONNECT



TECHNICAL DATA

Flow rate: Up to 17,4 m³/h (For single unit)

Head: 113 m

Type of pumped liquid: Clean, free from solid or abrasive substances, non-viscous, non-aggressive, non-crystallized and chemically neutral

Liquid temperature: +50°C

Maximum ambient temperature: +55°C

Suction depth: 5 bar

Operation pressure: 12 bar / 1200 kPa

Constant pressure range: 1-12 bar (3 bar by default)

Motor protection class: IP X5

Motor insulation class: F

Impeller material: Technopolymer

Single phase power input: 230 V 50/60 Hz

Three phase power input: 380, 460 V 50/60 Hz

Type of installation: Fixed in vertical position

Certification: WRAS, ACS, NSF61 (are pending approval)

Integrated pumping system for pressurization in commercial building service. Available in two power sizes, it consists of modular elements that allow different configurations to cover the needs of medium/large condominiums and high buildings (even over 14 floors).

Each unit consists of the single, double or triple connection base and the pumping units; a four-pumps system is available with the additional kit to connect two double bases.

The modular construction allows to assemble the pumping groups directly at the installation site (O.S.A. concept).

The silence and compactness of dimensions allow installation in all rooms, even inhabited.

CONSTRUCTION FEATURES OF THE PUMP

Electronic vertical multi-impeller pump, with display, pressure sensors on intake and delivery, non-return valve on delivery and an integrated expansion tank. Pump body and impellers in technopolymer with steel jacket.

CONSTRUCTION FEATURES OF THE MOTOR

Water-cooled permanent magnet motor, stainless steel motor jacket. Motor shaft in AISI 303 stainless steel.

CONSTRUCTION FEATURES OF THE ELECTRONIC

The variable frequency drive keeps the pressure constant by varying the number of motor revolutions according to the request.

The expansion module (esy I/O, available as an accessory) makes it possible to interface Esybox Max with the other elements of the system (BMS).

Integrated protections: protection from dry running, amperometric and abnormal voltages, overheating, freezing, anti-blocking and anti-cycling.

DCONNECT

It is possible to configure and view the operating parameters on the large Esybox Max display or thanks to the DConnect app and the integrated Wi-Fi module, it is possible to do it remotely with an active DConnect service (an Internet connection is required).

From a smartphone or a tablet it is possible to control and manage system pressure, alarms and check the instantaneous and historical consumption.

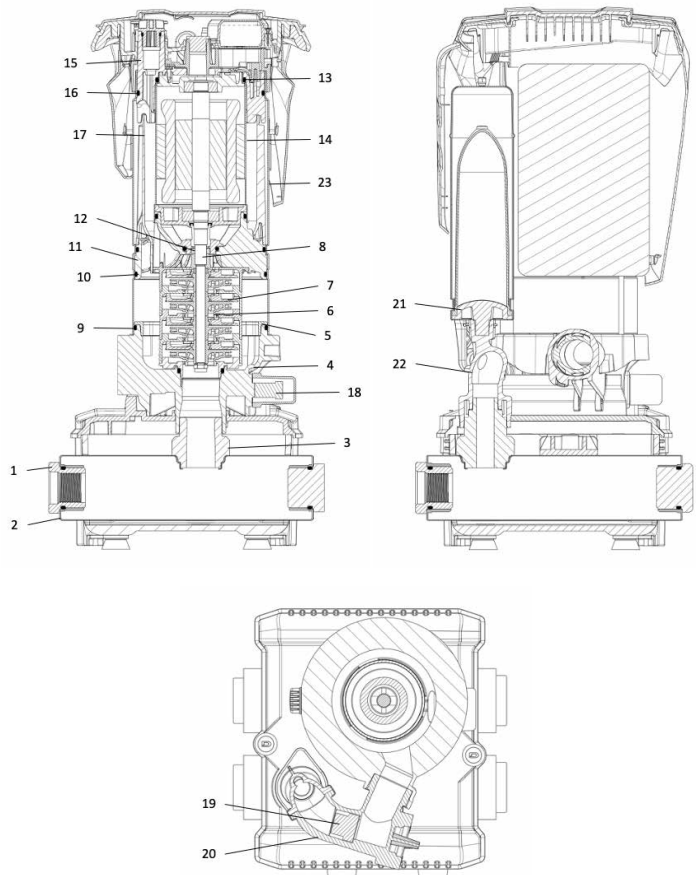
With DSync technology, the user experience of Esybox Max is simplified. Using their smartphone or tablet, the installer interfaces with the pump that automatically detects the language, the time and the unit of measurement used in the Country of installation. In the case of a booster set, once the installation of the first pump is completed, the Esybox Max automatically synchronize the other pumps. The DSync also allows you to connect the pump to the outside world, through the Modbus protocol.

ESYBOX MAX

ELECTRONIC BOOSTER SET

MATERIAL

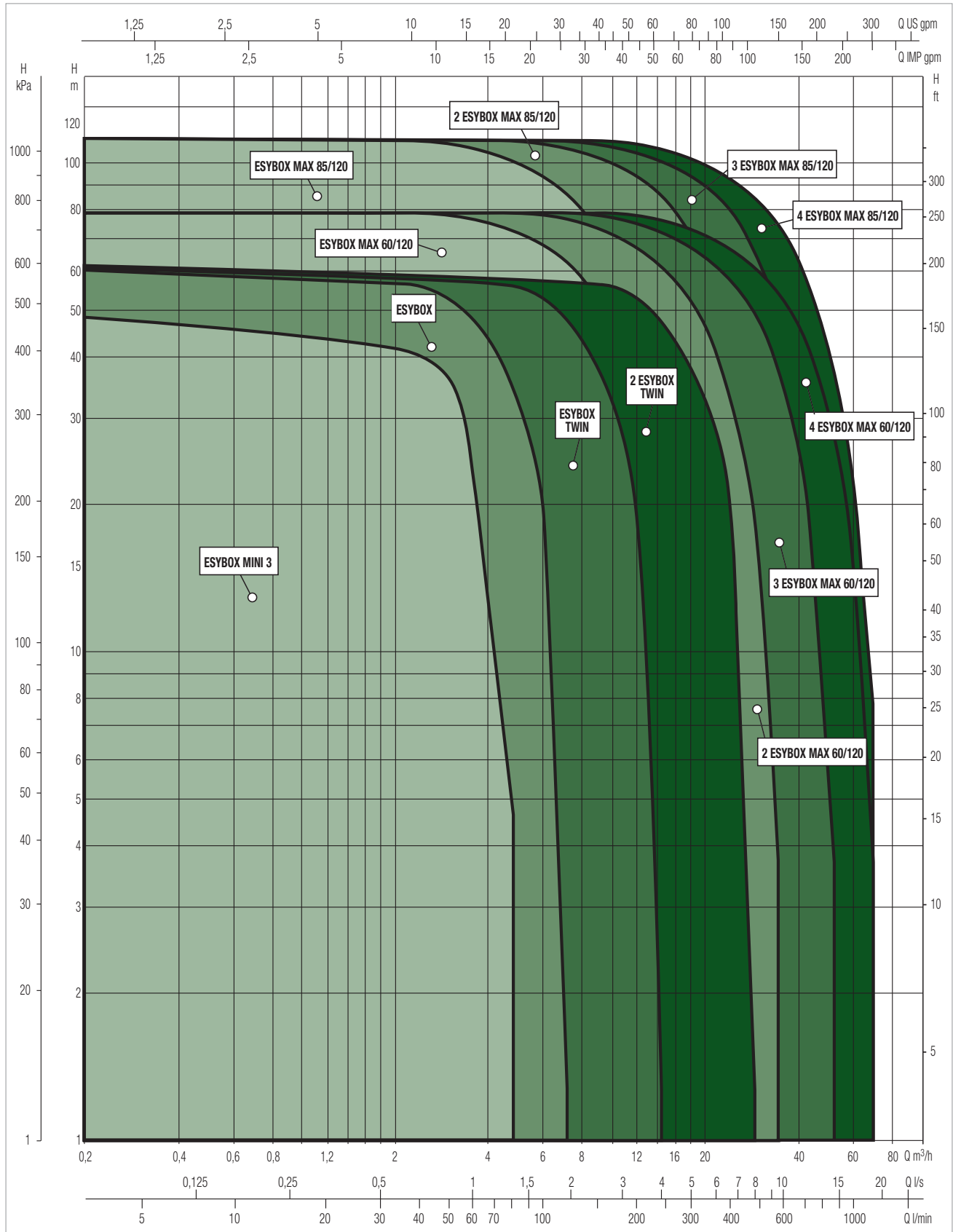
N°	PARTS	MATERIALS
1	FITTING	TECHOPOLYMER
2	MANIFOLD	STEEL
3	FLANGE	TECHOPOLYMER
4	PUMP BODY	TECHOPOLYMER
5	PUMP BODY RING	TECHOPOLYMER
6	IMPELLER	TECHOPOLYMER / STEEL
7	DIFFUSER	TECHOPOLYMER / STEEL
8	MOTOR AXIS	STEEL
9	O-RING	RUBBER
10	O-RING	RUBBER
11	MOTOR FLANGE	TECHOPOLYMER
12	MECHANICAL SEAL	RESIN / STEEL / RUBBER
13	O-RING	RUBBER
14	MOTOR LINER	STEEL
15	MOTOR BODY	TECHOPOLYMER
16	O-RING	RUBBER
17	CONVEYOR TUBE	TECHOPOLYMER
18	PRESSURE SENSOR	TECHOPOLYMER / RUBBER
19	NON RETURN VALVE	TECHOPOLYMER / RUBBER / STEEL
20	NON RETURN VALVE BODY	TECHOPOLYMER
21	TANK	TECHOPOLYMER / RUBBER
22	DELIVERY BODY	TECHOPOLYMER
23	OUTER LINER	STEEL



PERFORMANCE RANGE

The performance curves are based on kinematic viscosity values = 1 mm²/s and density equivalent to 1000 kg/m³. Curve tolerance according to ISO 9906.

GRAPHIC SELECTION TABLE



SELECTION TABLE

MODEL	Q=m ³ /h	0	2,4	3,6	4,8	6	7,2	8,4	9,6	10,8	9	11,4	14,4	17,4
	Q=l/min	0	40	60	80	100	120	140	160	180	150	190	240	290
ESYBOX MAX 60/120 M	H (mt)	79,6	79,5	77,1	73,4	68,5	62,8	56,3	49,2	41,8	52,8	38,1	19,5	3,7
ESYBOX MAX 60/120 T		79,6	79,5	77,1	73,4	68,5	62,8	56,3	49,2	41,8	52,8	38,1	19,5	3,7
ESYBOX MAX 85/120 T		113,2	111,4	107,4	101,6	94,4	86,0	76,7	66,9	56,7	71,9	51,6	27,1	7,8

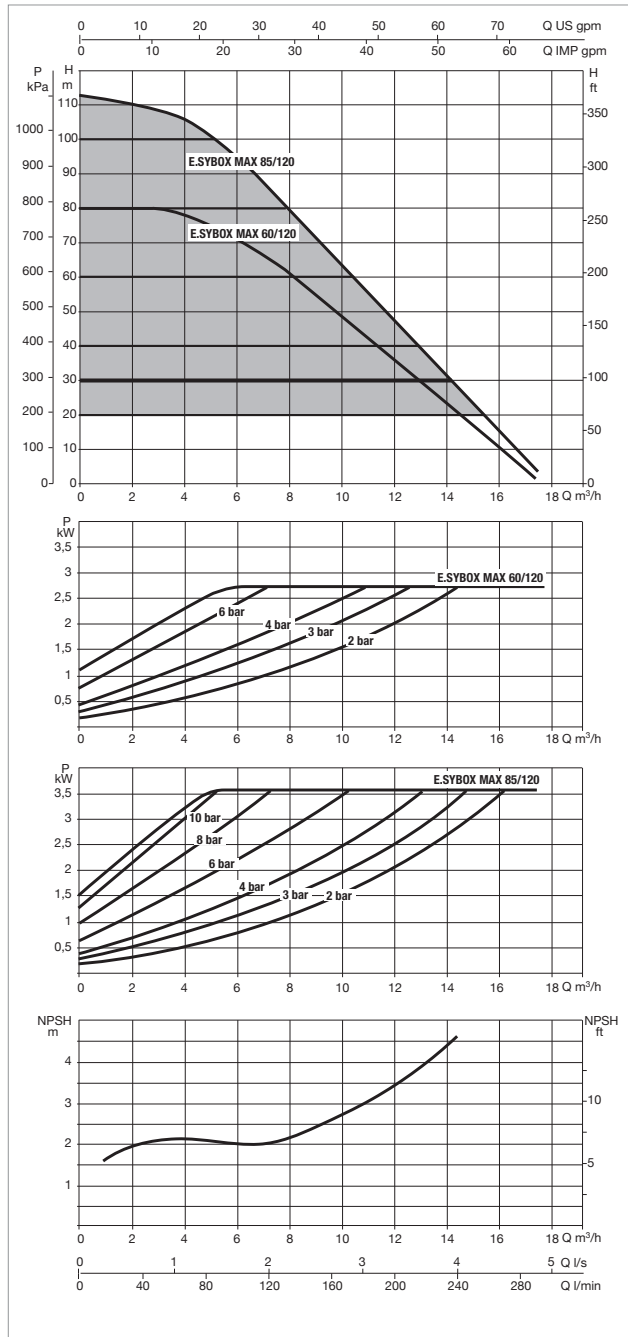
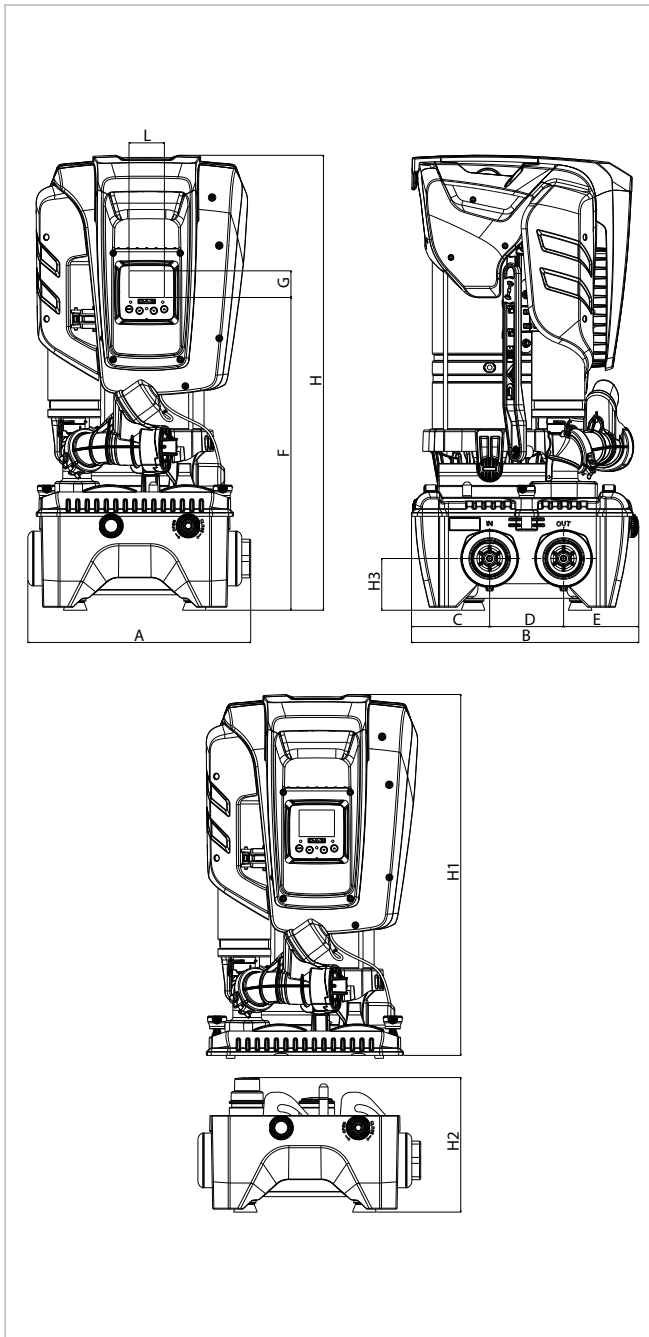
MODEL	Q=m ³ /h	0	4,8	7,2	9,6	12	14,4	16,8	19,2	21,6	18	22,8	28,8	34,8
	Q=l/min	0	80	120	160	200	240	280	320	360	300	380	480	580
2 ESYBOX MAX 60/120 M	H (mt)	79,6	79,5	77,1	73,4	68,5	62,8	56,3	49,2	41,8	52,8	38,1	19,5	3,7
2 ESYBOX MAX 60/120 T		79,6	79,5	77,1	73,4	68,5	62,8	56,3	49,2	41,8	52,8	38,1	19,5	3,7
2 ESYBOX MAX 85/120 T		113,2	111,4	107,4	101,6	94,4	86,0	76,7	66,9	56,7	71,9	51,6	27,1	7,8

MODEL	Q=m ³ /h	0	7,2	10,8	14,4	18	21,6	25,2	28,8	32,4	27	34,2	43,2	52,2
	Q=l/min	0	120	180	240	300	360	420	480	540	450	570	720	870
3 ESYBOX MAX 60/120 M	H (mt)	79,6	79,5	77,1	73,4	68,5	62,8	56,3	49,2	41,8	52,8	38,1	19,5	3,7
3 ESYBOX MAX 60/120 T		79,6	79,5	77,1	73,4	68,5	62,8	56,3	49,2	41,8	52,8	38,1	19,5	3,7
3 ESYBOX MAX 85/120 T		113,2	111,4	107,4	101,6	94,4	86,0	76,7	66,9	56,7	71,9	51,6	27,1	7,8

MODEL	Q=m ³ /h	0	9,6	14,4	19,2	24	28,8	33,6	38,4	43,2	36	45,6	57,6	69,6
	Q=l/min	0	160	240	320	400	480	560	640	720	600	760	960	1160
4 ESYBOX MAX 60/120 M	H (mt)	79,6	79,5	77,1	73,4	68,5	62,8	56,3	49,2	41,8	52,8	38,1	19,5	3,7
4 ESYBOX MAX 60/120 T		79,6	79,5	77,1	73,4	68,5	62,8	56,3	49,2	41,8	52,8	38,1	19,5	3,7
4 ESYBOX MAX 85/120 T		113,2	111,4	107,4	101,6	94,4	86,0	76,7	66,9	56,7	71,9	51,6	27,1	7,8

ESYBOX MAX - ELECTRONIC BOOSTER SET

Liquid temperature: +50°C - Maximum ambient temperature: +55°C



The performance curves are based on the kinematic viscosity values = 1 mm²/s and density equivalent to 1000 kg/m³. Curve tolerance according to ISO 9906.

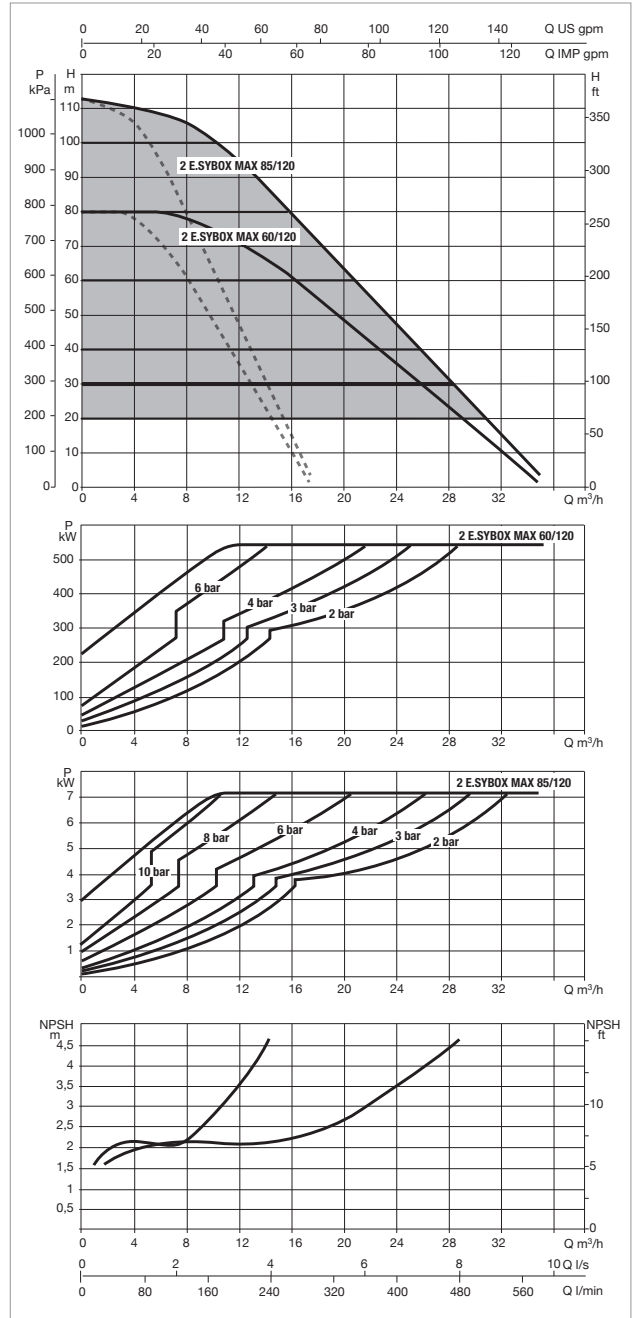
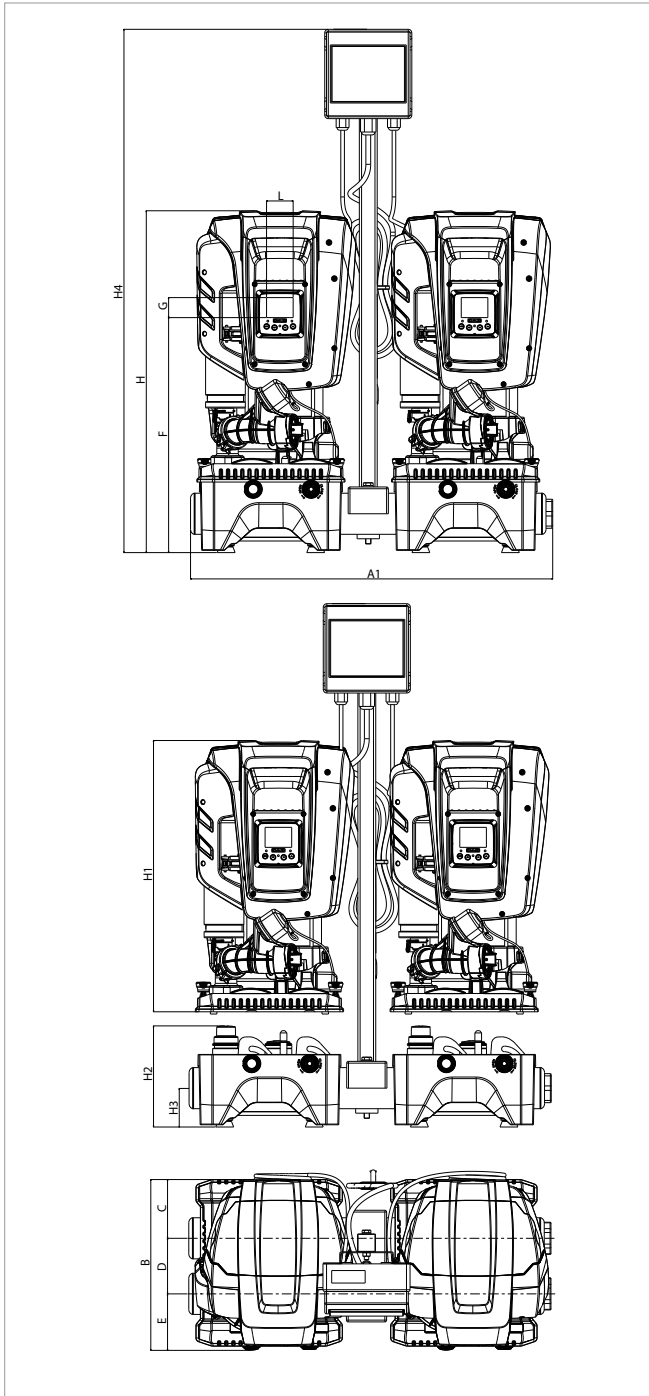
MODEL	N° IMPELLERS	POWER SUPPLY 50/60 Hz	ELECTRICAL DATA			
			P1 MAX		In A	SET POINT
			kW	HP		
ESYBOX MAX 60/120 M	3	1x220-240V ~	2,7	3,6	11,7	1-12
ESYBOX MAX 60/120 T	3	3x380-460V ~	2,6	3,5	4,2	1-12
ESYBOX MAX 85/120 T	4	3x380-460V ~	3,5	4,7	5,5	1-12

MODEL	A	B	C	D	E	F	G	H	H1	H2	H3	L	DNA	DNM	PACKING DIMENSIONS*			WEIGHT* PUMP UNIT Kg	PACKING DIMENSIONS DOCK			WEIGHT DOCK Kg
															PUMP UNIT				DOCK			
															L/A	L/B	H	L/A	L/B	H		
ESYBOX MAX 60/120	375	384	131.8	124.5	127.7	526	45	766	613	228	87	59,5	1"1/4 - 2"	1"1/4 - 2"	400	380	800	29	400	400	250	9
ESYBOX MAX 85/120	375	384	131.8	124.5	127.7	526	45	766	613	228	87	59,5	1"1/4 - 2"	1"1/4 - 2"	400	380	800	30	400	400	250	9

* Weights and packaging dimensions refer to a pump unit

2 ESYBOX MAX - ELECTRONIC BOOSTER SET

Liquid temperature: +50°C - Maximum ambient temperature: +55°C



The performance curves are based on the kinematic viscosity values = 1 mm²/s and density equivalent to 1000 kg/m³. Curve tolerance according to ISO 9906.

For the four pumps version, the flow rate is the double.

MODEL	ELECTRICAL DATA					
	N° IMPELLERS	POWER SUPPLY 50/60 Hz	P1 MAX		2x In A	SET POINT
			2x kW	2x HP		
2 ESYBOX MAX 60/120 M	3	1x220-240V ~	2,7	3,6	11,7	1-12
2 ESYBOX MAX 60/120 T	3	3x380-460V ~	2,6	3,5	4,2	1-12
2 ESYBOX MAX 85/120 T	4	3x380-460V ~	3,5	4,7	5,5	1-12

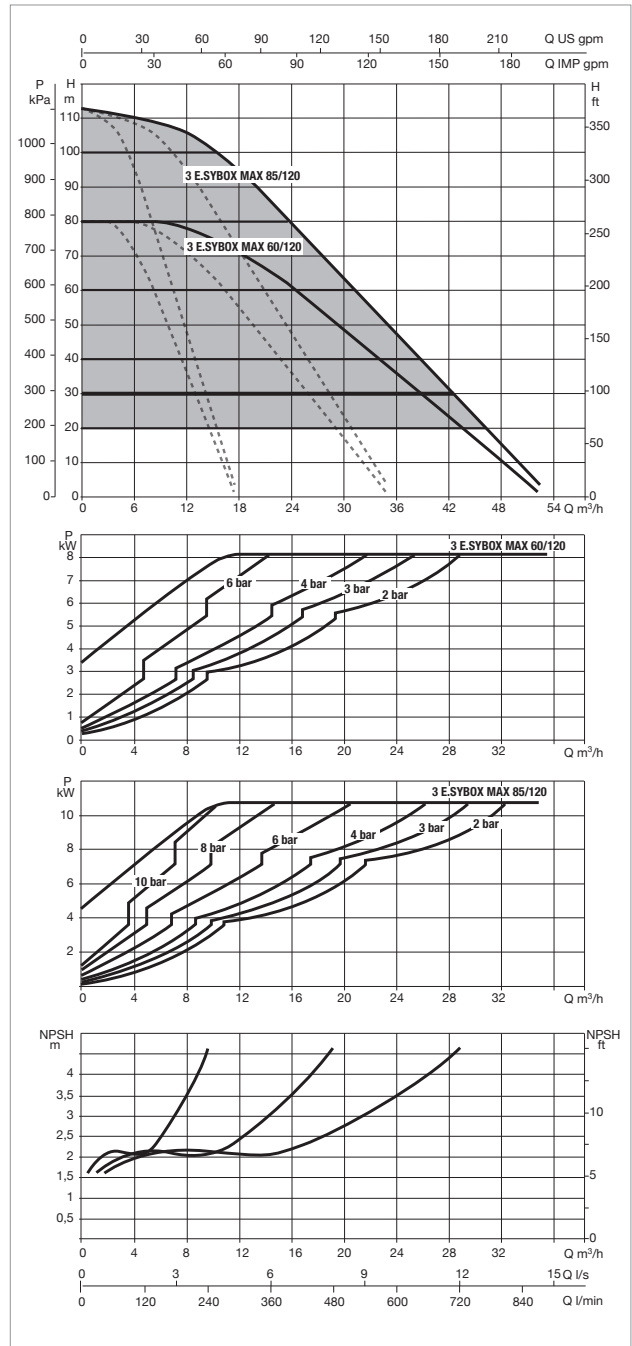
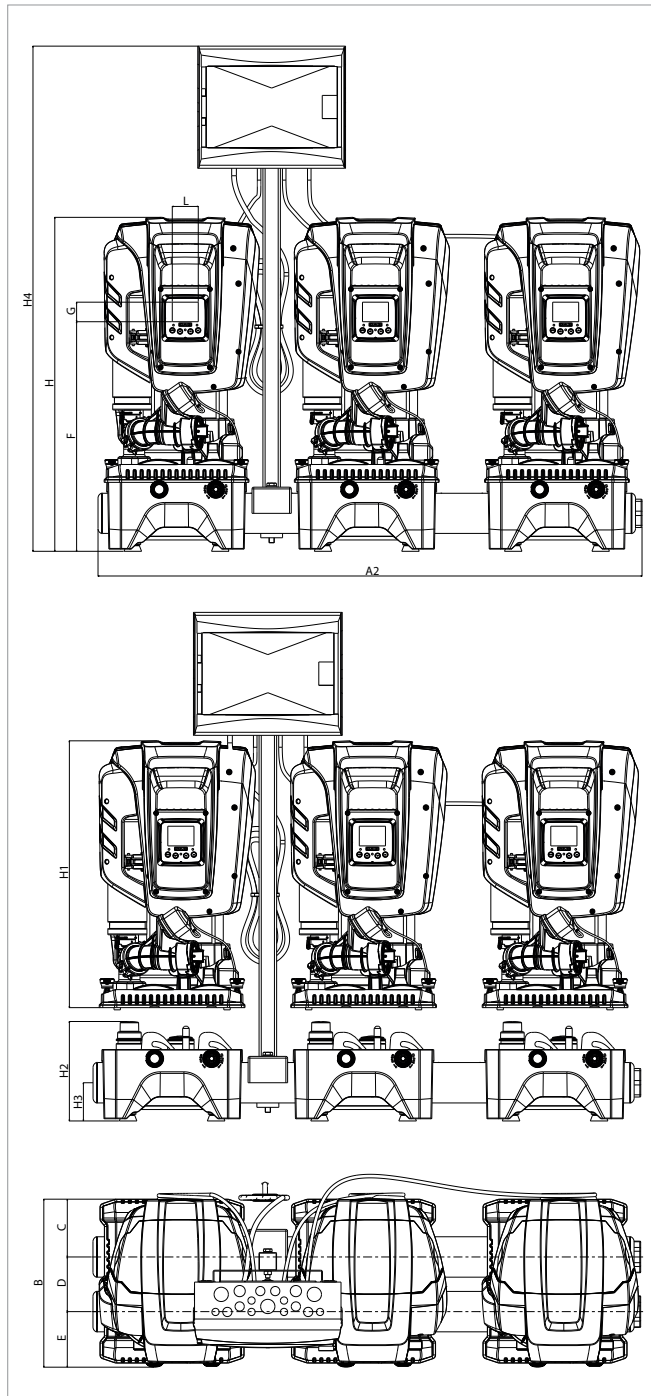
MODEL	A1	B	C	D	E	F	G	H	H1	H2	H3	H4	L	DNA	DNM	PACKING DIMENSIONS*			WEIGHT* PUMP UNIT Kg	PACKING DIMENSIONS DOCK			WEIGHT DOCK Kg
																PUMP UNIT				DOCK			
																L/A	L/B	H		L/A	L/B	H	
2 ESYBOX MAX 60/120	811	384	131.8	124.5	127.7	526	45	766	613	228	87	1172	59.5	2"	2"	400	380	800	29	900	400	250	18
2 ESYBOX MAX 85/120	811	384	131.8	124.5	127.7	526	45	766	613	228	87	1172	59.5	2"	2"	400	380	800	30	900	400	250	18

* Weights and packaging dimensions refer to a pump unit



3 ESYBOX MAX - ELECTRONIC BOOSTER SET

Liquid temperature: +50°C - Maximum ambient temperature: +55°C






The performance curves are based on the kinematic viscosity values = 1 mm²/s and density equivalent to 1000 kg/m³. Curve tolerance according to ISO 9906.

MODEL	N° IMPELLERS	POWER SUPPLY 50/60 Hz	ELECTRICAL DATA		3x In A	SET POINT
			3x kW	3x HP		
3 ESYBOX MAX 60/120 M	3	1x220-240V ~	2,7	3,6	11,7	1-12
3 ESYBOX MAX 60/120 T	3	3x380-460V ~	2,6	3,5	4,2	1-12
3 ESYBOX MAX 85/120 T	4	3x380-460V ~	3,5	4,7	5,5	1-12

MODEL	A2	B	C	D	E	F	G	H	H1	H2	H3	H4	L	DNA	DNM	PACKING DIMENSIONS*			WEIGHT* PUMP UNIT Kg	PACKING DIMENSIONS DOCK			WEIGHT DOCK Kg
																PUMP UNIT				DOCK			
																L/A	L/B	H	L/A	L/B	H		
3 ESYBOX MAX 60/120	1250	384	131,8	124,5	127,7	526	45	766	613	228	87	1158	59,5	2"	2"	400	380	800	29	1250	400	250	27
3 ESYBOX MAX 85/120	1250	384	131,8	124,5	127,7	526	45	766	613	228	87	1158	59,5	2"	2"	400	380	800	30	1250	400	250	27

* Weights and packaging dimensions refer to a pump unit



	DESCRIPTION
	<p>CONTROL PANEL</p> <p>Electrical connection panels for 2 or 3 pumps complete with magnetothermic switches for powering multi-pump units. It can be installed on the wall or directly to Esybox Max units using the dedicated bracket.</p>
	<p>MOUNTING BRACKET</p> <p>Bracket for mounting the electrical panel to a group 2 or 3 Esybox Max. The bracket consist in a column, a bolt and a lower clamping bracket (all in steel).</p>
	<p>ESY I/O</p> <p>It is the electronic expansion module that allows to interface the Esybox Max with the outside world and with the BMS world (Building Management System). Equipped with 4 digital inputs and 4 relay outputs, 1 analog input and 1 serial port with Modbus RTU protocol.</p>

DAB

PUMPS SELECTOR



On-line selection tool



DAB PUMPS LTD.

6 Gilbert Court
Newcomen Way
Severalls Business Park
Colchester
Essex
CO4 9WN - UK
salesuk@dwtgroup.com
Tel. +44 0333 777 5010



DAB PUMPS IBERICA S.L.

Calle Verano 18-20-22
28850 - Torrejón de Ardoz - Madrid
Spain
Info.spain@dwtgroup.com
Tel. +34 91 6569545
Fax: + 34 91 6569676



DAB PUMPS SOUTH AFRICA (PTY) LTD

Twenty One industrial Estate,
16 Purlin Street, Unit B, Warehouse 4
Olifantsfontein -1666 - South Africa
info.sa@dwtgroup.com
Tel. +27 12 361 3997



DAB PUMPS BV

'tHofveld 6 C1
1702 Groot Bijgaarden - Belgium
info.belgium@dwtgroup.com
Tel. +32 2 4668353



DAB PUMPS HUNGARY KFT.

H-8800
Nagykanizsa, Buda Ernő u.5
Hungary
Tel. +36 93501700



DAB PUMPS (QINGDAO) CO. LTD.

No.40 Kaituo Road, Qingdao Economic & Technological
Development Zone
Qingdao City, Shandong Province - China
PC: 266500
sales.cn@dwtgroup.com
Tel. +86 400 186 8280
Fax +86 53286812210



DAB PUMPS B.V.

Albert Einsteinweg, 4
5151 DL Drunen - Nederland
info.netherlands@dwtgroup.com
Tel. +31 416 387280
Fax +31 416 387299



DAB PUMPS POLAND Sp. z o.o.

Ul. Janka Muzykanta 60
02-188 Warszawa - Poland
polska@dabpumps.com.pl



DAB PUMPS DE MÉXICO, S.A. DE C.V.

Av Amsterdam 101 Local 4
Col. Hipódromo Condessa,
Del. Cuauhtémoc CP 06170
Ciudad de México
Tel. +52 55 6719 0493



OOO DAB PUMPS

Novgorodskaya str. 1, block G
office 308, 127247, Moscow - Russia
info.russia@dwtgroup.com
Tel. +7 495 122 0035
Fax +7 495 122 0036



DAB PUMPS OCEANIA PTY LTD

426 South Gippsland Hwy,
Dandenong South VIC 3175 - Australia
info.oceania@dwtgroup.com
Tel. +61 1300 373 677



DAB PUMPS GMBH

Am Nordpark 3
D - 41069 Mönchengladbach - Germany
info.germany@dwtgroup.com
Tel. +49 2161 47388-0
Fax +49 2161 47388-36



DAB PUMPS INC.

3226 Benchmark Drive
Ladson, SC 29456 - USA
info.usa@dwtgroup.com
Tel. 1 - 843-797-5002
Fax 1-843-797-3366



PT DAB PUMPS INDONESIA

Satrio Tower lantai 26
unit C-D, Jl. Prof. Dr. Satrio Kav. C4,
Kel. Kuningan Timur, Kec. Setiabudi, Kota Adm.
Jakarta Selatan, Prov. DKI Jakarta. - Indonesia
Tel. +62 2129222850